

TECHNICAL DATA SHEET

FIX8

Rubber deck joist pads 80×40, 8 mm (3 1/6" x 1 4/7", 5/16")

BASIC INFORMATION

Product name	Rubber deck joist pads 80×40, 8 mm (3 1/6" x 1 4/7", 5/16")
Trade name	FIX8
Product group	Accessories
Application	Terrace with tiles Terrace with decking
Code	10132



FEATURES

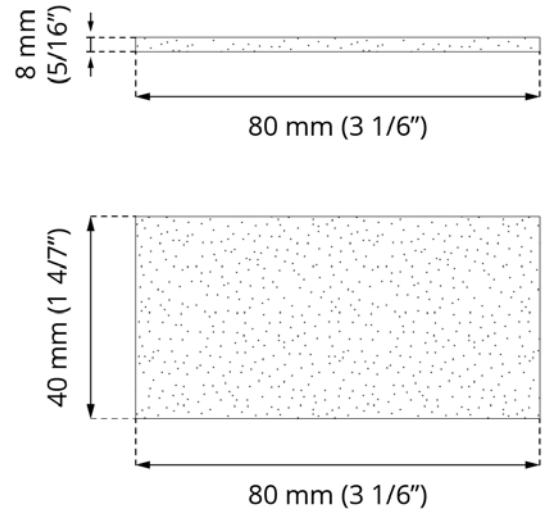
- Universal applications.
- Height of 8 mm (5/16").
- Prevent vulcanization.
- Dampen vibrations, soundproof.

DESCRIPTION

Rubber pads for versatile use in construction. They are used for padding, transferring, and separating building elements from each other. They prevent vulcanization of elements, dampen vibrations, and provide soundproofing. They work perfectly as rubber pads for leveling the ground under terrace beams.

PARAMETERS

Dimensions	80 x 40 x 8 mm 3 1/6" x 1 4/7" x 5/16"
Additional height	8 mm 5/16"
Weight	0,023 kg 0.051 lbs
Operating temperature	-20°C; +65°C -4°F; +149°F
Color	Black
Material	PP/TPE

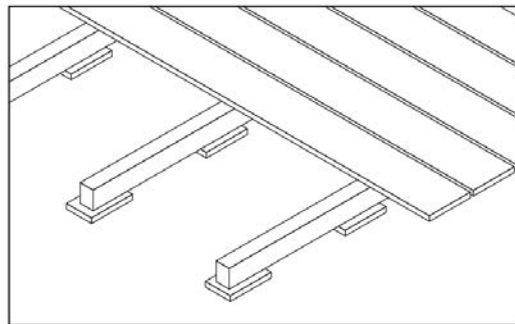


APPLICATION

- Terrace with tiles.
- Terrace with decking.

EXAMPLE OF USAGE

Decking



USAGE

Thanks to the rubber mat, it has versatile applications.

DATA LOGISTICS

Product	Type	Size	Quantity	Weight brutto
FIX8	Carton box	30 x 50 x 20 cm (11 4/5" x 19 2/3" x 7 7/8")	600 pcs.	14,25 kg (31.42 lbs)
	Pallet	120 x 100 x 220 cm (47 1/4" x 39 1/2" x 86")	48 000 pcs.	1 160 kg (2 557.36 lbs)

EXAMPLE OF APPLICATION

