

TECHNICAL DATA SHEET

FIX3

Rubber deck joist pads 80×40, 3 mm (3 1/6" x 1 4/7", 1/8")

BASIC INFORMATION

Product name	Rubber deck joist pads 80×40, 3 mm (3 1/6" x 1 4/7", 1/8")
Trade name	FIX3
Product group	Accessories
Application	Terrace with tiles Terrace with decking
Kod	10131



FEATURES

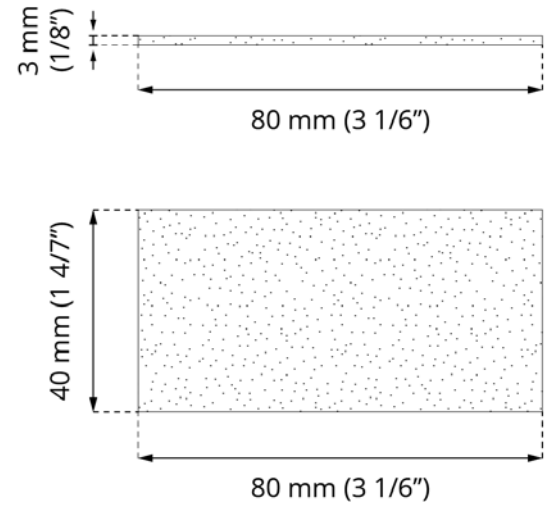
- Universal applications.
- Height of 3 mm (1/8").
- Prevent vulcanization.
- Dampen vibrations, soundproof.

DESCRIPTION

Rubber pads for versatile use in construction. They are used for padding, transferring, and separating building elements from each other. They prevent vulcanization of elements, dampen vibrations, and provide soundproofing. They work perfectly as rubber pads for leveling the ground under terrace beams.

PARAMETERS

Dimensions	80 x 40 x 3 mm 3 1/6" x 1 4/7" x 1/8"
Additional height	3 mm 1/8"
Weight	0,009 kg 0.0198 lbs
Operating temperature	-20°C; +65°C -4°F; +149°F
Color	Black
Material	PP/TPE

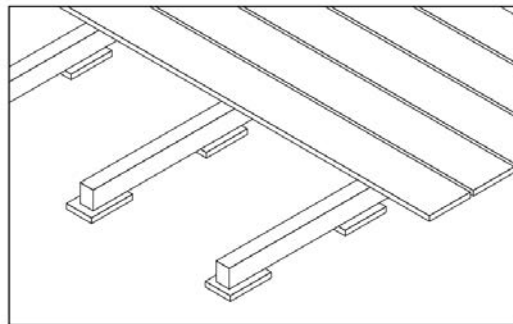


APPLICATION

- Terrace with tiles.
- Terrace with decking.

EXAMPLE OF USAGE

Decking



USAGE

Thanks to the rubber mat, it has versatile applications.

DATA LOGISTICS

Product	Type	Size	Quantity	Weight brutto
FIX3	Carton box	30 x 50 x 20 cm (11 4/5" x 19 2/3" x 7 7/8")	1 500 pcs.	13,95 kg (30.75 lbs)
	Pallet	120 x 100 x 220 cm (47 1/4" x 39 1/2" x 86")	120 000 pcs.	1 136 kg (2 504.45 lbs)

EXAMPLE OF APPLICATION

