

TECHNICAL DATA SHEET

DDP RPL

Adjustable deck joist support for anchor foundation with height adjustment 100 mm

BASIC INFORMATION

| | |
|----------------------|---|
| Product name | Adjustable deck joist support for anchor foundation with height adjustment 100 mm |
| Trade name | DDP RPL |
| Product group | STANDARD series |
| Application | Terrace with decking |
| Code | 102356 |

FEATURES

- Adjustment from 25 to 100 mm.
- Designed for installation on a metal foundation in compacted soil.
- Height with metal driven foundation DDP MFW ranges from 185 to 285 mm.
- Easy and smooth height adjustment using a nut.
- Resistant to heavy loads.
- Adapted for joists.

DESCRIPTION

Adjustable supports / adapters for use with ground-driven foundations are a stable and durable base for decking. Terraces made on adjustable supports are durable and resistant to rotting due to the lack of contact between the decking and the ground. Thanks to smooth adjustment, it is possible to build a terrace exactly at the planned height. By using adjustable supports on driven foundations, you save time and reduce the cost of building a complete substructure for the terrace. An additional advantage is the preservation of the ability for water to penetrate the soil.



PARAMETERS

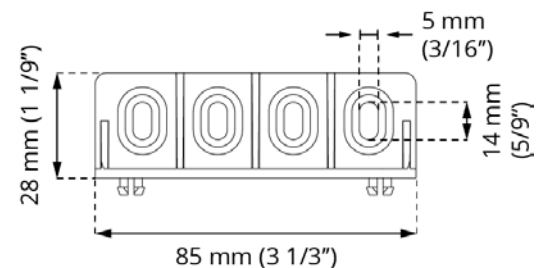
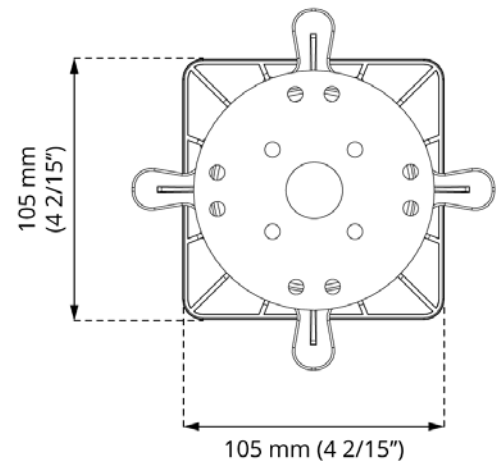
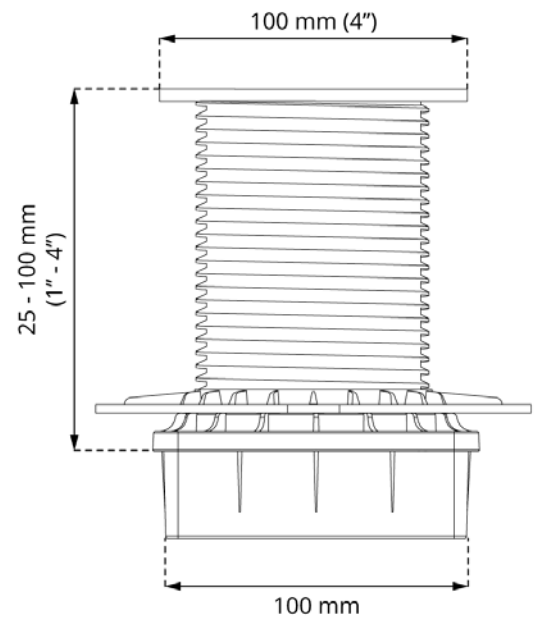
| | |
|------------------------|----------------------------------|
| Minimum height | 25 mm |
| Maximum height | 100 mm |
| Height adjustment type | Smooth height adjustment |
| Cap diameter | Ø 100 mm (78,5 cm ²) |
| Weight | 0,266 kg |
| Load resistance | up to 1100 kg |
| Operating temperature | -20°C; +65°C |
| Color | Black |
| Material | Certified plastic PP |

APPLICATION

- Decking terrace on a hardened soil base.

COMPONENTS

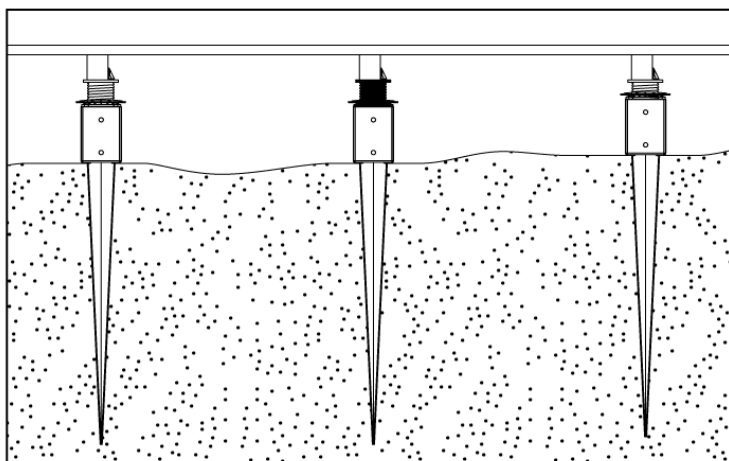
- The DDP RPL pedestal is composed of:
Adapter for DDP MFW + NN + S3 + AD



EXAMPLE OF USAGE

Terrace with decking

DDP RPL
 with Metal anchor foundation 160 mm (DDP MWF)



USAGE

The adjustable support for the DDP RPL beam should be placed on a metal foundation driven by DDP MFW.

DATA LOGISTICS

| Product | Type | Size | Quantity | Weight brutto |
|---------|------------|--------------------|-----------|---------------|
| DDP RPL | Carton box | 60 x 50 x 40 cm | 60 pcs. | 17,44 kg |
| | Pallet | 120 x 100 x 220 cm | 1200 pcs. | 369 kg |

ADDITIONAL ACCESSORIES

Metal anchor foundation 160 mm (total length 1000 mm) **DDP MFW**, Joist adapter **AD**, Drill driver bit tool **PPK**.

EXAMPLE OF SERIES STANDARD APPLICATION

