

# TECHNICAL DATA SHEET

## STANDARD 220-320

Adjustable terrace pedestal STANDARD 220-320 mm (8 5/8" - 12 1/2")

---

### BASIC INFORMATION

<b>Product name</b>	Adjustable terrace pedestal STANDARD 220-320 mm (8 5/8" - 12 1/2")
<b>Trade name</b>	STANDARD 220-320
<b>Product group</b>	Adjustable pedestals - STANDARD series
<b>Application</b>	Terrace with tiles Terrace with decking
<b>Code</b>	Tile gap 3 mm (1/8"): 10749 + 10038 Tile gap 5 mm (3/16"): 104204 + 10038 Joist version: 10035 + 10038



### FEATURES

- Height regulation from 220 to 320 mm (from 8 5/8" to 12 1/2").
- Easy and smooth height adjustment using a nut.
- Resistant to heavy loads.
- Suitable for tiles and joist.
- Wide selection of accessories.

### DESCRIPTION

The adjustable pedestals from the STANDARD series are a versatile solution for use in raised decks, also known as elevated terraces. This series allows for height adjustment from 30 mm up to 420 mm (from 1 3/16 up to 16 1/2") (recommended maximum height). There is the possibility of smooth height adjustment of the pedestal using a rotating nut, even when the deck is already installed on the supports. Additionally, there is the option of even faster height adjustment using a special attachment for a screwdriver (PPK). They can be used with both tiles (with the additional use of spacer crosses - K3, K5 or gap spacers L3, L5) and joists (using a joist adapter - AD). There is also the possibility of expanding the functionality of the pedestals with additional accessories. The pedestals provide solid support and can be used on most types of substrates, including those with waterproof insulation and slope.

## PARAMETERS

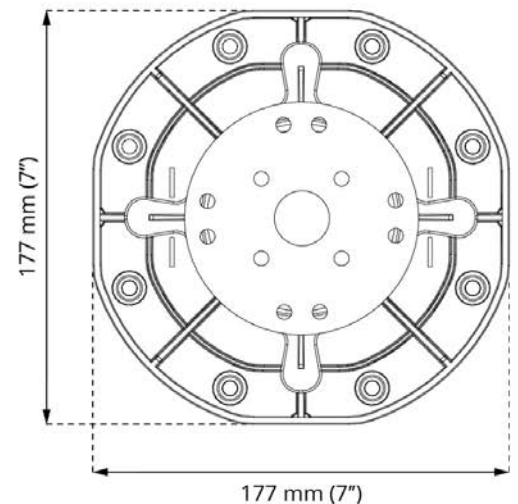
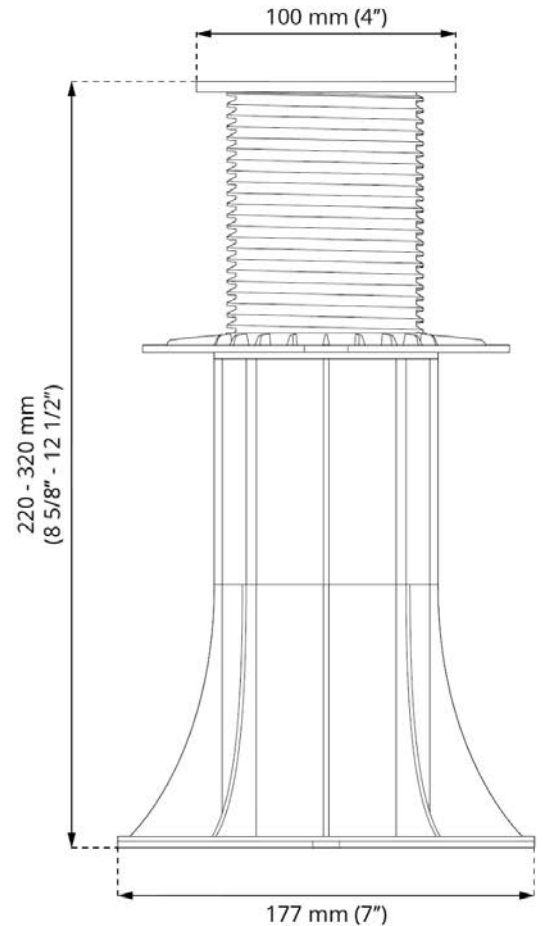
<b>Minimum height</b>	220 mm (8 5/8")
<b>Maximum height</b>	320 mm (12 1/2")
<b>Height adjustment type</b>	Smooth height adjustment
<b>Cap diameter</b>	Ø 100 mm (78,5 cm <sup>2</sup> ) Ø 4" (12,17 in <sup>2</sup> )
<b>Base diameter</b>	Ø ~ 177 mm (246,1 cm <sup>2</sup> ) Ø ~ 7" (38,14 in <sup>2</sup> )
<b>Weight</b>	~ 0,588 kg ~ 1.296 lbs
<b>Load resistance</b>	up to 1100 kg up to 2425 lbs
<b>Operating temperature</b>	-20°C; +65°C -4°F; +149°F
<b>Color</b>	Black
<b>Material</b>	Certified plastic PP

## APPLICATION

- Terrace with tiles (K3 or K5).
- Terrace with decking (AD).

## COMPONENTS

- Basic version of STANDARD 220-320 is composed of 4 pieces:  
**P4 + DS100 + NN + S4**
- STANDARD 220-320 tile gap 3 mm (1/8") version:  
**P4 + DS100 + NN + S4 + K3**
- STANDARD 220-320 tile gap 5 mm (3/16") version:  
**P4 + DS100 + NN + S4 + K5**
- STANDARD 220-320 decking version:  
**P4 + DS100 + NN + S4 + AD**

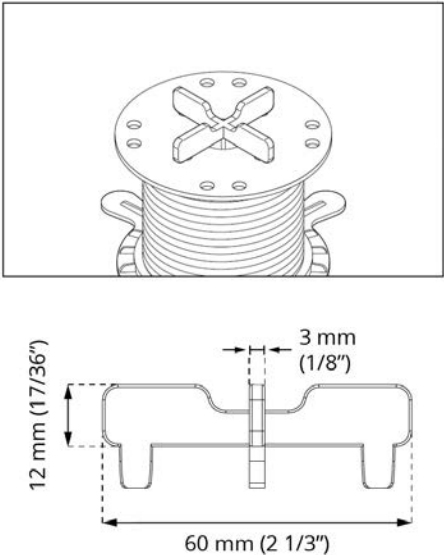
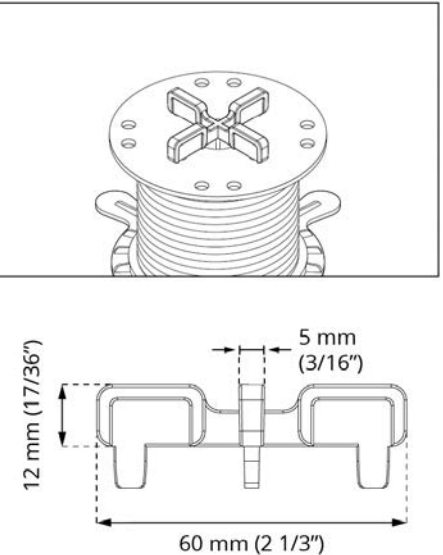
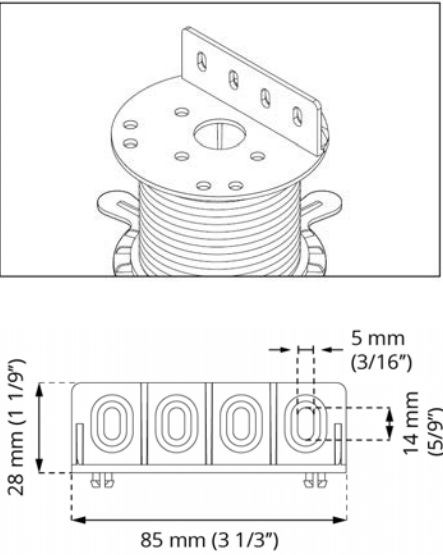


## CERTIFICATION

Up to date certificates and test reports available on demand:

1. Characteristic pedestal vertical load test.
2. Decrease of pedestal load bearing induced by laboratory UV light source exposure.
3. Decrease of pedestal load bearing capacity induced by thermal shock.
4. Decrease of pedestal load bearing capacity induced by salt water impact.
5. Decrease of pedestal load bearing capacity induced by temperature decrease -20°C / -4°F (24h).
6. Decrease of pedestal load bearing capacity induced by temperature increase to 65°C / +149°F (24h).
7. Characteristic value of deformation increase per unit of force induced by creep during 1000 hour test.
8. Reaction to fire classification, class.

## PEDESTAL HEAD FINISHING ELEMENT

FOR TILES VERSION	FOR TILES VERSION	FOR DECKING VERSION
<p>STANDARD 220-320 with Cross spacer 3 mm (1/8") (K3)</p> 	<p>STANDARD 220-320 with Cross spacer 5 mm (3/16") (K5)</p> 	<p>STANDARD 220-320 with Joist adapter (AD)</p> 

## USAGE

The structure consists of three elements: a base, a nut, and a screw (or four elements with a DS100 height coupler for heights above 220 mm (8 5/8")). The height of the pedestals can be easily adjusted manually by rotating the nut or screw. Additionally, there is the possibility of even faster adjustment using a special bit for a power drill (PPK). When laying tiles, it is necessary to install a spacer cross (K3, K5) or joint spacers (L3, L5). In the case of laying decking on joists, an adapter for joists (AD) should be used.

## DATA LOGISTICS

Product	Type	Size	Quantity	Weight brutto
STANDARD 120-220	Carton box	60 x 50 x 40 cm (23 2/3" x 19 2/3" x 15 3/4")	36 pcs.	17,9 kg (39.46 lbs)
	Pallet	120 x 100 x 220 cm (47 1/4" x 39 1/2" x 86")	720 pcs.	378 kg (833.35 lbs)
DS100	Carton box	60 x 50 x 40 cm (23 2/3" x 19 2/3" x 15 3/4")	100 pcs.	14,18 kg (31.26 lbs)
	Pallet	120 x 100 x 220 cm (47 1/4" x 39 1/2" x 86")	2000 pcs.	304 kg (670.21 lbs)

## ADDITIONAL ACCESSORIES

Height coupler 100 mm (4") **DS100**, Self leveling head **LE**, Up to wall clip **DDPWAP**, Rubber shim **SH100**, Cross spacer 3 mm (1/8") **K3**, Cross spacer 5 mm (3/16") **K5**, Gap spacer 3 mm (1/8") **L3**, Gap spacer 5 mm (3/16") **L5**, Joist adapter **AD**, Drill driver bit tool **PPK**, Side finishing closure tile DDP CP **DDP CP**, SBR rubber pad SBR 200/3 mm (7 7/8" x 1/8") **SBR200/3**, SBR rubber pad SBR 200/8 mm (7 7/8" x 5/16") **SBR200/8**.

## EXAMPLE OF SERIES STANDARD APPLICATION



