

TECHNICAL DATA SHEET

DAD

Joist adapter disk

BASIC INFORMATION

Product name	Joist adapter disk
Trade name	DDP DAD
Product group	Accessories
Application	Terrace with decking
Code	200092
Compatibility	SPIRAL series MAX series



FEATURES

- Used to attach the terrace joist to the pedestal.
- Used with SPIRAL and MAX series.

DESCRIPTION

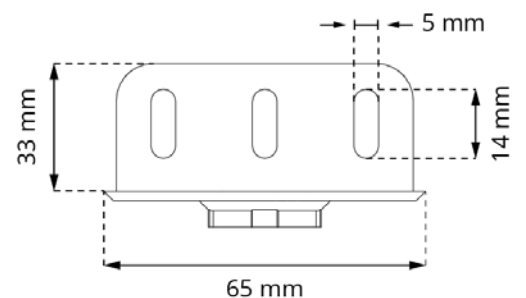
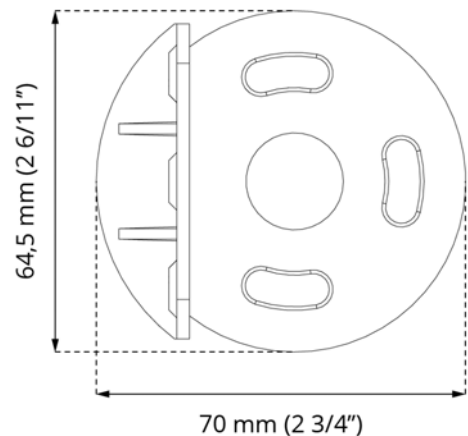
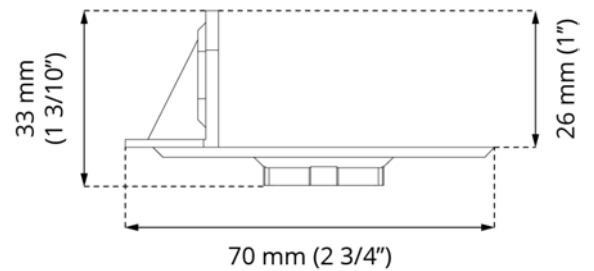
It is used to attach the terrace joist to the pedestal.

PARAMETERS

Dimensions	70 x 64,5 x 33 mm 2 3/4" x 2 6/11" x 1 3/10"
Weight	0,012 kg 0.026 lbs
Operating temperature	-20°C; +65°C -4°F; +149°F
Color	Black
Material	Certified plastic PP

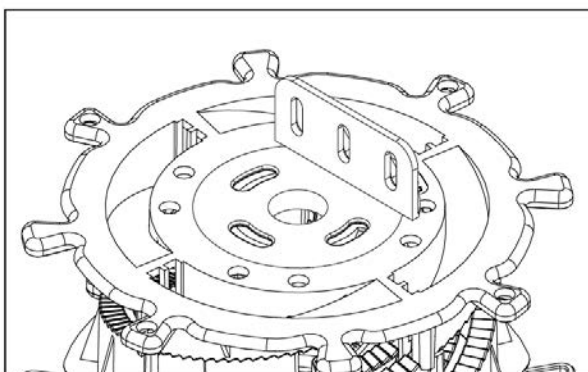
APPLICATION

- Terrace with decking.

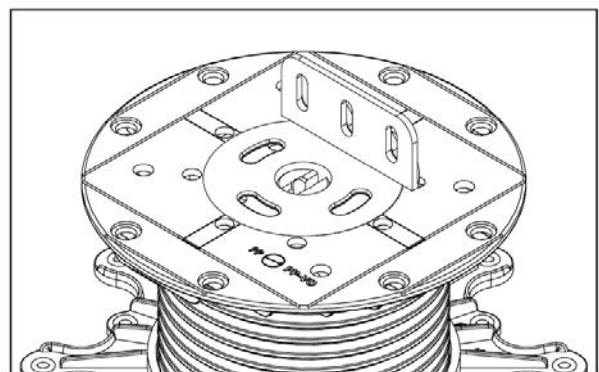


EXAMPLE OF USAGE

SPIRAL series



MAX series



USAGE

Mounted on the head/hat of the pedestals, it allows easy installation of the joist on the pedestal. The joist or framing can be attached to the joist adapter using screws. It can be used with the SPIRAL and MAX series of pedestals.

DATA LOGISTICS

Product	Type	Size	Quantity	Weight brutto
DAD	Carton box	30 x 50 x 20 cm (11 4/5" x 19 2/3" x 7 7/8")	300 pcs.	4,05 kg (8.93 lbs)
	Pallet	120 x 100 x 220 cm (47 1/4" x 39 1/2" x 86")	24 000 pcs.	340 kg (749.57 lbs)

EXAMPLE OF APPLICATION

