

TECHNICAL DATA SHEET

AD

Joist adapter

BASIC INFORMATION

Product name	Joist adapter
Trade name	AD
Product group	Accessories
Application	Terrace with decking
Code	10000
Compatibility	SPIRAL series STANDARD series MAX series



FEATURES

- Used to attach the terrace joist to the pedestal.
- Used with STANDARD series.

DESCRIPTION

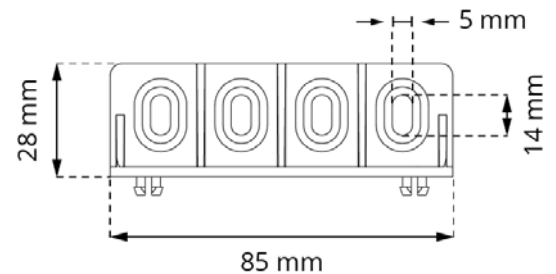
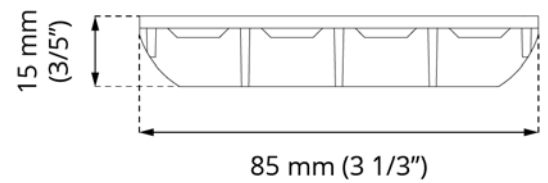
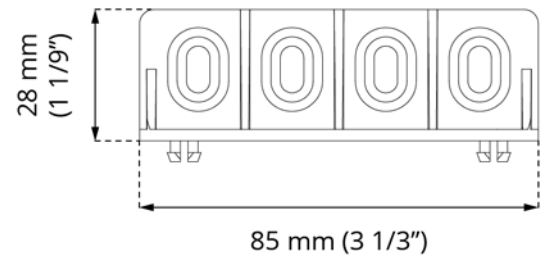
It is used to attach the terrace joist to the pedestal.

PARAMETERS

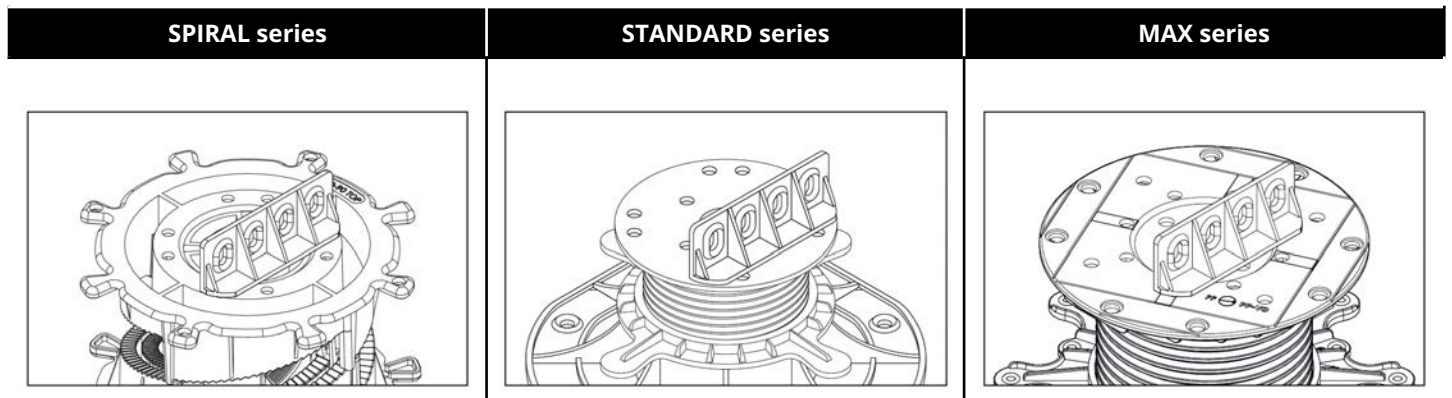
Dimensions	85 x 15 x 28 mm 3 1/3" x 3/5" x 1 1/9"
Weight	0,013 kg 0.029 lbs
Operating temperature	-20°C; +65°C -4°F; +149°F
Color	Black
Material	Certified plastic PP

APPLICATION

- Terrace with decking.



EXAMPLE OF USAGE



USAGE

Mounted on the head/hat of the pedestals, it allows easy installation of the joist on the pedestal. The joist or framing can be attached to the joist adapter using screws. It can be used with the STANDARD series of pedestals.

DATA LOGISTICS

Product	Type	Size	Quantity	Weight netto
AD	Carton box	30 x 50 x 20 cm (11 4/5" x 19 2/3" x 7 7/8")	400 pcs.	5,65 kg (12.26 lbs)
	Pallet	120 x 100 x 220 cm (47 1/4" x 39 1/2" x 86")	32 000 pcs.	472 kg (1 040.58 lbs)

EXAMPLE OF APPLICATION

