

# TECHNICAL DATA SHEET

## DDP 015

Paver spacer 15 mm (3/5")

---

### BASIC INFORMATION

<b>Product name</b>	Paver spacer 15 mm (3/5")
<b>Trade name</b>	DDP 015
<b>Product group</b>	Support pads
<b>Application</b>	Terrace with tiles
<b>Code</b>	Tile gap 3 mm (1/8") - 10020 Tile gap 5 mm (3/16") - 10566



### FEATURES

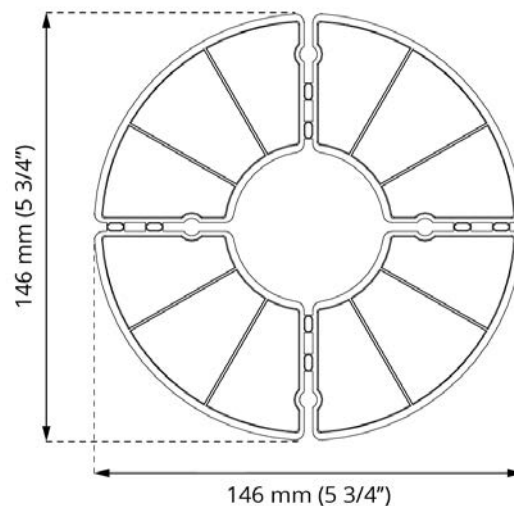
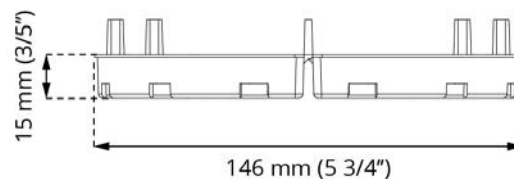
- Height 15 mm (3/5").
- Modular construction - possibility of dividing into parts.
- Built-in spacer gap 3 mm (1/8").
- Used with tiles/pavers.
- Possibility of stacking pedestals.

### DESCRIPTION

Fixed-height pedestals for laying on terraces, roofs, and insulation. DDP 010 and DDP 015 pedestals can be stacked, meaning they can be laid on top of each other, up to three pieces, allowing for heights of 20, 25, 30, 35, 40 or 45 mm (3/4", 1", 1 1/5", 1 3/8", 1 4/7" or 1 3/4"). The built-in spacers have a width of 3 mm (1/8"), but there is the possibility of installing additional spacers with a width of 5 mm (3/16"). Rubber pads with a thickness of 1.5 mm (1/16") (SH145) can also be placed on the pedestals, which level out any unevenness in the thickness of the tiles/pavers. Terraces laid on pedestals allow for easy inspection of the insulation under the tiles.

## PARAMETERS

<b>Height</b>	15 mm (3/5")
<b>Stacking heights</b>	Stacking: 2 pcs. - 30 mm (1 1/5") 3 pcs. - 45 mm (1 3/4") Stacking with DDP 0010: 25, 35, 40 mm (1", 1 3/8", 1 4/7")
<b>Diameter</b>	Ø 146 mm (167,4 cm <sup>2</sup> ) Ø 5 3/4" mm (25,95 in <sup>2</sup> )
<b>Width of the built-in tile gap</b>	3 mm (1/8")
<b>Weight</b>	0,046 kg 0.101 lbs
<b>Load resistance</b>	up to 2500 kg up to 5500 lbs
<b>Operating temperature</b>	-20°C; +65°C -4°F; +149°F
<b>Color</b>	Black
<b>Material</b>	Certified plastic PP



## APPLICATION

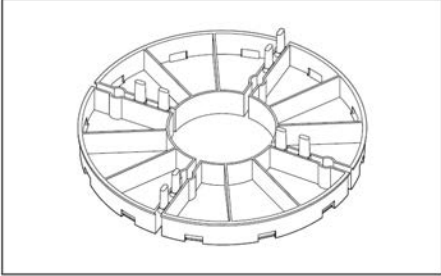
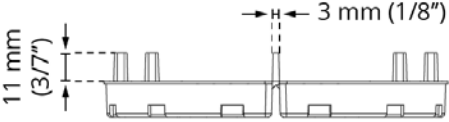
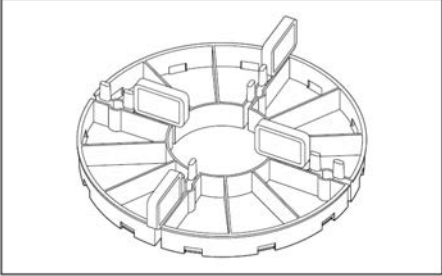
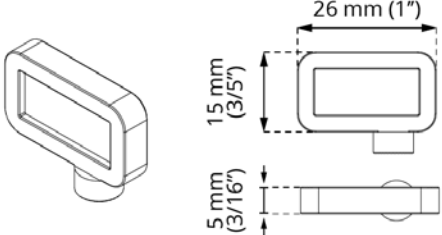
- Terrace with tiles.

## CERTIFICATION

Up to date certificates and test reports available on demand:

1. Characteristic pedestal vertical load test.
2. Decrease of pedestal load bearing induced by laboratory UV light source exposure.
3. Decrease of pedestal load bearing capacity induced by thermal shock.
4. Decrease of pedestal load bearing capacity induced by salt water impact.
5. Decrease of pedestal load bearing capacity induced by temperature decrease -20°C / -4°F (24h).
6. Decrease of pedestal load bearing capacity induced by temperature increase to 65°C / +149°F (24h).
7. Characteristic value of deformation increase per unit of force induced by creep during 1000 hour test.
8. Reaction to fire classification, class.

## TILE GAP

Basic	With a gap spacer 5 mm (3/16")
<p data-bbox="204 349 667 383">DDP 015 - built-in gap spacer 3 mm (1/8")</p>  	<p data-bbox="919 349 1398 383">DDP 015 with gap spacer 5 mm (3/16") (L5)</p>  

## USAGE

Designed for use with tiles/pavers, they allow laying stable and even surface, stabilize corners and gaps between tiles. They provide acoustic comfort through the material they are made of. The supports can be easily trimmed due to their modular construction - for convenience, lines are marked on the support that easily indicate the sections to be trimmed.

## DATA LOGISTICS

Product	Type	Size	Quantity	Weight brutto
DDP 015	Carton box	60 x 50 x 40 cm (23 2/3" x 19 2/3" x 15 3/4")	300 pcs.	16,5 kg (36.38 lbs)
	Pallet	120 x 100 x 220 cm (47 1/4" x 39 1/2" x 86")	6000 pcs.	350 kg (771.62 lbs)

## ADDITIONAL ACCESSORIES

Gap spacer 5 mm (3/16") **L5**, SBR rubber pad **SBR200/3**, SBR rubber pad **SBR200/8**, Rubber shim **SH145**.

## EXAMPLE OF APPLICATION

