

TECHNICAL DATA SHEET

SPIRAL 190-210

Adjustable terrace pedestal SPIRAL 190-210 mm (7 1/2" - 8 1/3")

BASIC INFORMATION

Product name	Adjustable terrace pedestal SPIRAL 190-210 mm (7 1/2" - 8 1/3")
Trade name	SPIRAL 190-210
Product group	Adjustable pedestals - SPIRAL series
Application	Terrace with tiles Terrace with decking
Code	Tile gap 3 mm (1/8"): 104331 + 2× 104332 Tile gap 5 mm (3/16"): 10888 + 2× 104332 Joist version: 10890 + 2× 104332



FEATURES

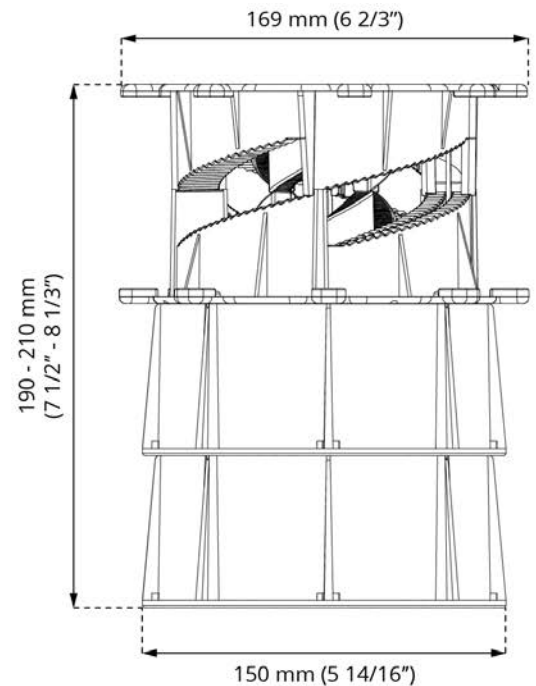
- Height range from 190 to 210 mm (from 7 1/2" to 8 1/3").
- Step-height adjustment every 1 mm (1/32").
- Suitable for tiles and joists.
- Resistant to heavy loads.
- Can be used on a significantly sloping surface.

DESCRIPTION

Adjustable pedestals for raised terraces (so-called elevated) from the SPIRAL series allow for precise adjustment of terrace height in the range of 10 to 210 mm (6/16" to 8 1/3"). Their unique step construction allows for adjustment every 1 mm (1/32") and ensures high load-bearing capacity. Thanks to the SPIRAL series, it is possible to adjust terrace height starting from the lowest height of 10 mm (6/16"). Additionally, there is a possibility to expand the functionality of the supports with additional accessories. The use of a gap disk allows for the installation of terraces with pavers or tiles, while the joist adapter allows installation of joist and decking.

PARAMETERS

Minimum height	190 mm (7 1/2")
Maximum height	210 mm (8 1/3")
Height adjustment type	Step height adjustment (1 mm) (1/32")
Diameter	Ø 169 mm (224,3 cm ²) Ø 6 2/3" (34,77 in ²)
Weight	~ 0,853 kg ~ 1.881 lbs
Load resistance	up to 2400 kg up to 5290 lbs
Operating temperature	-20°C; +65°C -4°F; +149°F
Color	Black
Material	Certified plastic PP

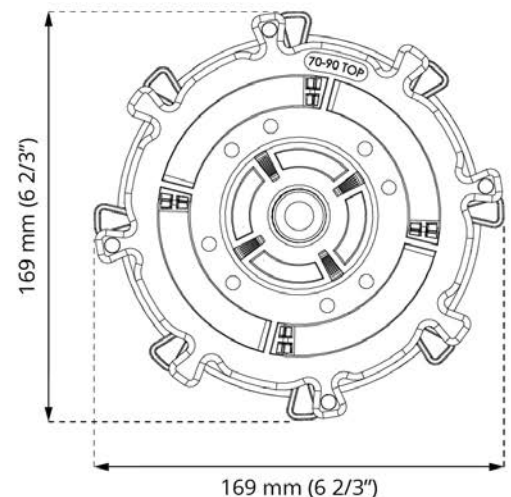


APPLICATION

- Terrace with tiles (D3 or D5).
- Terrace with decking (DAD).

COMPONENTS

- Basic version of SPIRAL 190-210 is composed of 4 pieces:
2× **DS60** + **BOTTOM 070-090** + **TOP 070-090**
- SPIRAL 190-210 tile gap 3 mm (1/8") version:
2× **DS60** + **BOTTOM 070-090** + **TOP 070-090** + **D3**
- SPIRAL 190-210 tile gap 5 mm (3/16") version:
2× **DS60** + **BOTTOM 070-090** + **TOP 070-090** + **D5**
- SPIRAL 190-210 decking version:
2× **DS60** + **BOTTOM 070-090** + **TOP 070-090** + **DAD**



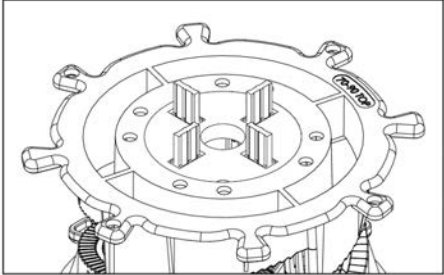
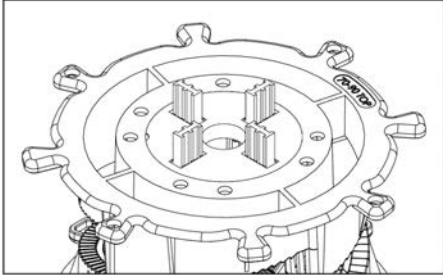
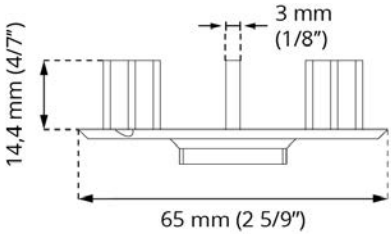
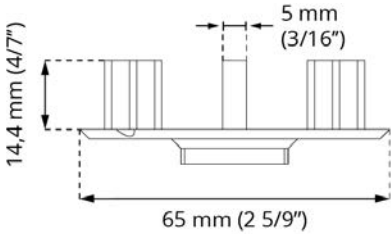
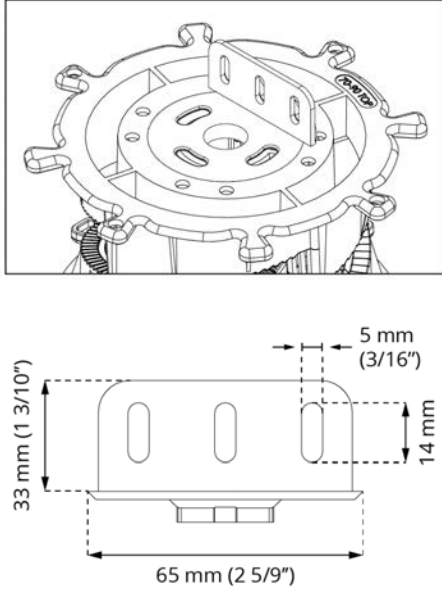
CERTIFICATION

Up to date certificates and test reports available on demand:

1. Characteristic pedestal vertical load test.
2. Decrease of pedestal load bearing induced by laboratory UV light source exposure.
3. Decrease of pedestal load bearing capacity induced by thermal shock.
4. Decrease of pedestal load bearing capacity induced by salt water impact.
5. Decrease of pedestal load bearing capacity induced by temperature decrease -20°C / -4°F (24h).
6. Decrease of pedestal load bearing capacity induced by temperature increase to 65°C / +149°F (24h).

7. Characteristic value of deformation increase per unit of force induced by creep during 1000 hour test.
8. Reaction to fire classification, class.

PEDESTAL HEAD FINISHING ELEMENT

FOR TILES VERSION	FOR DECKING VERSION
SPIRAL 190-210 with Gap spacer disc 3 mm (1/8") (D3)	SPIRAL 190-210 with Gap spacer disc 5 mm (3/16") (D5)
	
	
	

USAGE

The pedestals can be adjusted to tiles or pavers (using a gap spacer disk-D3, D5) or joists (using a joist adapter-AD or DAD). The pedestals have a modular construction consisting of two elements, with an additional spacer base element (DS60) attached for heights of 90 mm (3 1/2") and above, allowing for height increase. Adjustment is done every 1 mm (1/32") by rotating the upper element.

DATA LOGISTICS

Product	Type	Size	Quantity	Weight brutto
SPIRAL 070-090	Carton box	60 x 50 x 40 cm (23 2/3" x 19 2/3" x 15 3/4")	50 pcs.	17,8 kg (39.24 lbs)
	Pallet	120 x 100 x 220 cm (47 1/4" x 39 1/2" x 86")	1 000 pcs.	377,7 kg (832.69 lbs)
DS60	Carton box	60 x 50 x 40 cm (23 2/3" x 19 2/3" x 15 3/4")	70 pcs.	19,68 kg (43.39 lbs)
	Pallet	120 x 100 x 220 cm (47 1/4" x 39 1/2" x 86")	1 400 pcs.	414 kg (912.71 lbs)

ADDITIONAL ACCESSORIES

Height coupler 60 mm (2 1/3") **DS60**, Self leveling head LE MAX 0-6% 20 mm (3/4") height **LE MAX**, Up to wall clip **DDPWAP**, Rubber shim **SH145**, Gap spacer disk 3 mm (1/8") **D3**, Gap spacer disk 5 mm (3/16") **D5**, Gap spacer 3 mm (1/8") **L3**, Gap spacer 5 mm (3/16") **L5**, Joist adapter disk **DAD**, Joist adapter **AD**, Side finishing closure tile **DDP CP**, SBR rubber pad SBR 200/3 mm (7 7/8" x 7 7/8" x 1/8") **SBR200/3**, SBR rubber pad SBR 200/8 mm (7 7/8" x 7 7/8" x 5/16") **SBR200/8**.

EXAMPLE OF SERIES SPIRAL APPLICATION

