

# TECHNICAL DATA SHEET

## SPIRAL 090-110

Adjustable terrace pedestal SPIRAL 90-110 mm (3 1/2" - 4 1/3")

---

### BASIC INFORMATION

|                      |   |
|----------------------|---|
| <b>Product name</b>  | Adjustable terrace pedestal<br>SPIRAL 90-110 mm<br>(3 1/2" - 4 1/3")  |
| <b>Trade name</b>    | SPIRAL 090-110  |
| <b>Product group</b> | Adjustable pedestals - SPIRAL series  |
| <b>Application</b>   | Terrace with tiles<br>Terrace with decking  |
| <b>Code</b>          | Tile gap 3 mm (1/8"):<br>104334 + 104332<br>Tile gap 5 mm (3/16"):<br>10884 + 104332<br>Joist version:<br>104333 + 104332 |



### FEATURES

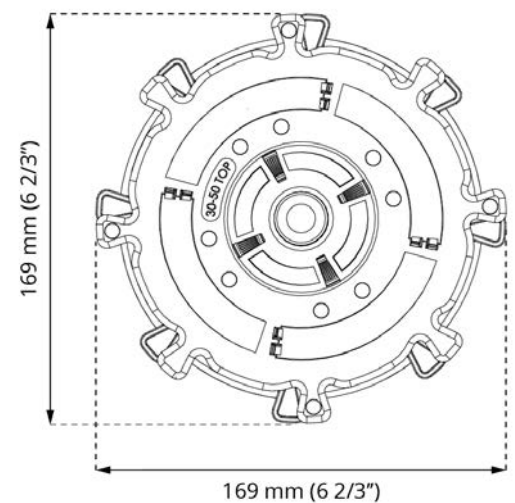
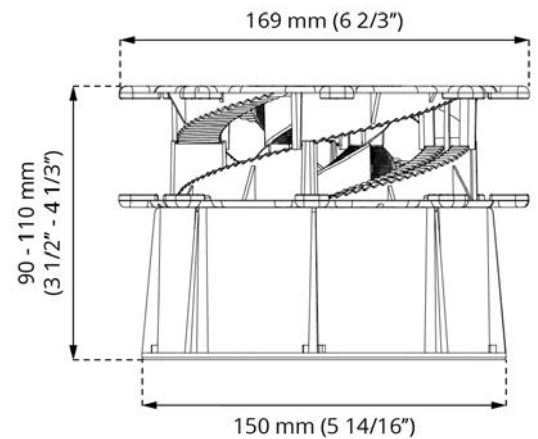
- Height range from 90 to 110 mm (from 3 1/2" to 4 1/3").
- Step-height adjustment every 1 mm (1/32").
- Suitable for tiles and joists.
- Resistant to heavy loads.
- Can be used on a significantly sloping surface.

### DESCRIPTION

Adjustable pedestals for raised terraces (so-called elevated) from the SPIRAL series allow for precise adjustment of terrace height in the range of 10 to 210 mm (6/16" to 8 1/3"). Their unique step construction allows for adjustment every 1 mm (1/32") and ensures high load-bearing capacity. Thanks to the SPIRAL series, it is possible to adjust terrace height starting from the lowest height of 10 mm (6/16"). Additionally, there is a possibility to expand the functionality of the supports with additional accessories. The use of a gap disk allows for the installation of terraces with pavers or tiles, while the joist adapter allows installation of joist and decking.

## PARAMETERS

|                               |  |
|-------------------------------|--|
| <b>Minimum height</b>         | 90 mm (3 1/2")   |
| <b>Maximum height</b>         | 110 mm (4 1/3")  |
| <b>Height adjustment type</b> | Step height adjustment<br>(1 mm) (1/32")                               |
| <b>Diameter</b>               | Ø 169 mm (224,3 cm <sup>2</sup> )<br>Ø 6 2/3" (34,77 in <sup>2</sup> ) |
| <b>Weight</b>                 | ~ 0,456 kg<br>~ 1.005 lbs  |
| <b>Load resistance</b>        | up to 2400 kg<br>up to 5290 lbs  |
| <b>Operating temperature</b>  | -20°C; +65°C<br>-4°F; +149°F   |
| <b>Color</b>                  | Black  |
| <b>Material</b>               | Certified plastic PP   |



## APPLICATION

- Terrace with tiles (D3 or D5).
- Terrace with decking (DAD).

## COMPONENTS

- Basic version of SPIRAL 090-110 is composed of 3 pieces:  
**DS60 + BOTTOM 030-050 + TOP 030-050**
- SPIRAL 090-110 tile gap 3 mm (1/8") version:  
**DS60 + BOTTOM 030-050 + TOP 030-050 + D3**
- SPIRAL 090-110 tile gap 5 mm (3/16") version:  
**DS60 + BOTTOM 030-050 + TOP 030-050 + D5**
- SPIRAL 090-110 decking version:  
**DS60 + BOTTOM 030-050 + TOP 030-050 + DAD**

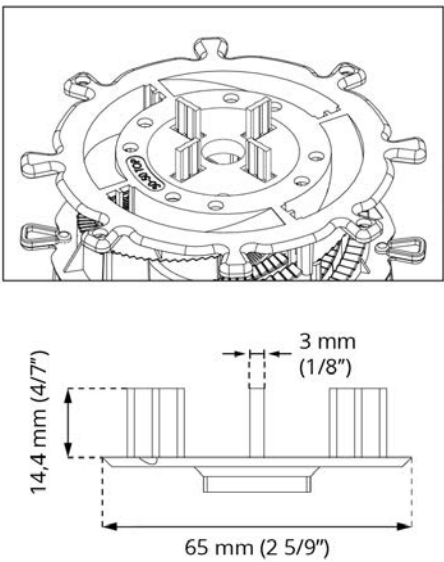
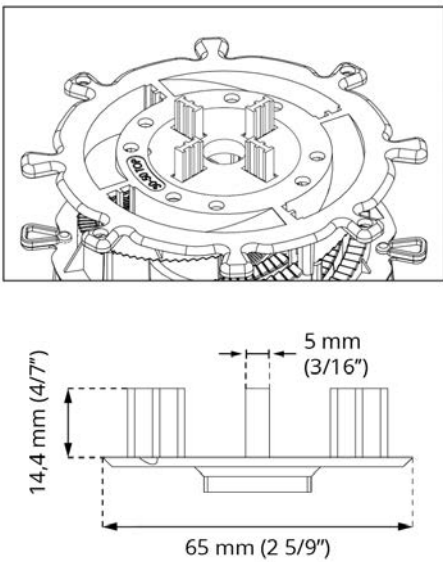
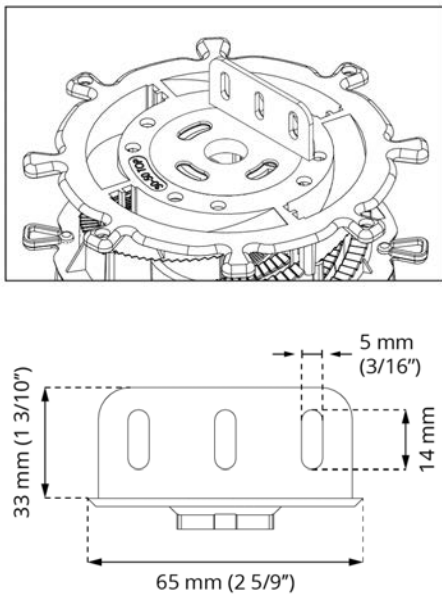
## CERTIFICATION

Up to date certificates and test reports available on demand:

1. Characteristic pedestal vertical load test.
2. Decrease of pedestal load bearing induced by laboratory UV light source exposure.
3. Decrease of pedestal load bearing capacity induced by thermal shock.
4. Decrease of pedestal load bearing capacity induced by salt water impact.
5. Decrease of pedestal load bearing capacity induced by temperature decrease -20°C / -4°F (24h).
6. Decrease of pedestal load bearing capacity induced by temperature increase to 65°C / +149°F (24h).

7. Characteristic value of deformation increase per unit of force induced by creep during 1000 hour test.
8. Reaction to fire classification, class.

## PEDESTAL HEAD FINISHING ELEMENT

| FOR TILES VERSION   | FOR DECKING VERSION  |
|---|--|
| SPIRAL 090-110 with<br>Gap spacer disc 3 mm (1/8") (D3)                           | SPIRAL 090-110 with<br>Gap spacer disc 5 mm (3/16") (D5)                             |
|  |   |
|   | SPIRAL 090-110 with<br>Joist adapter disc (DAD)                                      |
|   |  |

## USAGE

The pedestals can be adjusted to tiles or pavers (using a gap spacer disk-D3, D5) or joists (using a joist adapter-AD or DAD). The pedestals have a modular construction consisting of two elements, with an additional spacer base element (DS60) attached for heights of 90 mm (3 1/2") and above, allowing for height increase. Adjustment is done every 1 mm (1/32") by rotating the upper element.

## DATA LOGISTICS

| Product        | Type       | Size   | Quantity   | Weight brutto           |
|----------------|------------|--|------------|-------------------------|
| SPIRAL 030-050 | Carton box | 60 x 50 x 40 cm<br>(23 2/3" x 19 2/3" x 15 3/4") | 100 pcs.   | 20,84 kg<br>(45.94 lbs) |
|                | Pallet     | 120 x 100 x 220 cm<br>(47 1/4" x 39 1/2" x 86")  | 2 000 pcs. | 437 kg<br>(963.42 lbs)  |
| DS60           | Carton box | 60 x 50 x 40 cm<br>(23 2/3" x 19 2/3" x 15 3/4") | 70 pcs.    | 19,68 kg<br>(43.39 lbs) |
|                | Pallet     | 120 x 100 x 220 cm<br>(47 1/4" x 39 1/2" x 86")  | 1 400 pcs. | 414 kg<br>(912.71 lbs)  |

## ADDITIONAL ACCESSORIES

Height coupler 60 mm (2 1/3") **DS60**, Self leveling head LE MAX 0-6% 20 mm (3/4") height **LE MAX**, Up to wall clip **DDPWAP**, Rubber shim **SH145**, Gap spacer disk 3 mm (1/8") **D3**, Gap spacer disk 5 mm (3/16") **D5**, Gap spacer 3 mm (1/8") **L3**, Gap spacer 5 mm (3/16") **L5**, Joist adapter disk **DAD**, Joist adapter **AD**, Side finishing closure tile **DDP CP**, SBR rubber pad SBR 200/3 mm (7 7/8" x 7 7/8" x 1/8") **SBR200/3**, SBR rubber pad SBR 200/8 mm (7 7/8" x 7 7/8" x 5/16") **SBR200/8**.

## EXAMPLE OF SERIES SPIRAL APPLICATION

