

# TECHNICAL DATA SHEET

## SPIRAL 017-030

Adjustable terrace pedestal SPIRAL 17-30 mm (1 1/16" - 1 3/16")

---

### BASIC INFORMATION

<b>Product name</b>	Adjustable terrace pedestal SPIRAL 17-30 mm (1 1/16" - 1 3/16")
<b>Trade name</b>	SPIRAL 017-030
<b>Product group</b>	Adjustable pedestals - SPIRAL series
<b>Application</b>	Terrace with tiles Terrace with decking
<b>Code</b>	Tile gap 3 mm (1/8") - 10433 Tile gap 5 mm (3/16") - 10434 Joist version - 10429



### FEATURES

- Height range from 17 to 30 mm (from 1 1/16" to 1 3/16").
- Step-height adjustment every 1 mm (1/32").
- Suitable for tiles and joists.
- Resistant to heavy loads.
- Can be used on a significantly sloping surface.

### DESCRIPTION

Adjustable pedestals for raised terraces (so-called elevated) from the SPIRAL series allow for precise adjustment of terrace height in the range of 10 to 210 mm (6/16" to 8 1/3"). Their unique step construction allows for adjustment every 1 mm (1/32") and ensures high load-bearing capacity. Thanks to the SPIRAL series, it is possible to adjust terrace height starting from the lowest height of 10 mm (6/16"). Additionally, there is a possibility to expand the functionality of the supports with additional accessories. The use of a gap disk allows for the installation of terraces with pavers or tiles, while the joist adapter allows installation of joist and decking.

## PARAMETERS

<b>Minimum height</b>	17 mm (11/16")
<b>Maximum height</b>	30 mm (1 3/16")
<b>Height adjustment type</b>	Step height adjustment (1 mm) (1/32")
<b>Diameter</b>	Ø 168 mm (221,7 cm <sup>2</sup> ) Ø 6 3/5" (34,36 in <sup>2</sup> )
<b>Weight</b>	~ 0,155 kg ~ 0.342 lbs
<b>Load resistance</b>	up to 2400 kg up to 5290 lbs
<b>Operating temperature</b>	-20°C; +65°C -4°F; +149°F
<b>Color</b>	Black
<b>Material</b>	Certified plastic PP

## APPLICATION

- Terrace with tiles (D3 or D5).
- Terrace with decking (DAD).

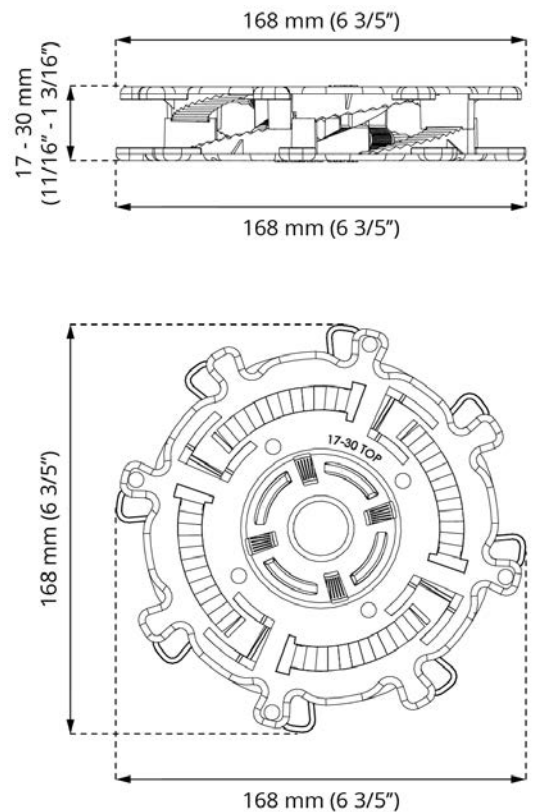
## COMPONENTS

- Basic version of SPIRAL 017-030 is composed of 2 pieces:  
**BOTTOM 017-030 + TOP 017-030**
- SPIRAL 017-030 tile gap 3 mm (1/8") version:  
**BOTTOM 017-030 + TOP 017-030 + D3**
- SPIRAL 017-030 tile gap 5 mm (3/16") version:  
**BOTTOM 017-030 + TOP 017-030 + D5**
- SPIRAL 017-030 decking version:  
**BOTTOM 017-030 + TOP 017-030 + DAD**

## CERTIFICATION

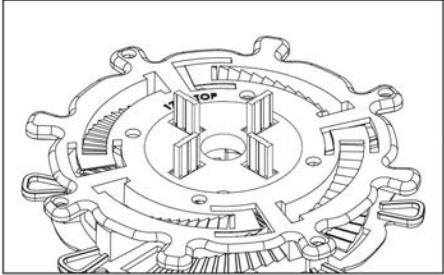
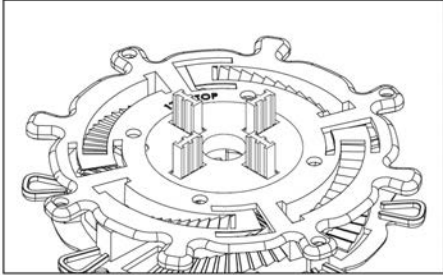
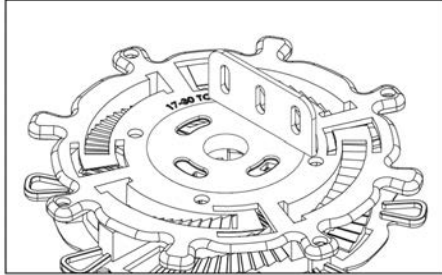
Up to date certificates and test reports available on demand:

1. Characteristic pedestal vertical load test.
2. Decrease of pedestal load bearing induced by laboratory UV light source exposure.
3. Decrease of pedestal load bearing capacity induced by thermal shock.
4. Decrease of pedestal load bearing capacity induced by salt water impact.
5. Decrease of pedestal load bearing capacity induced by temperature decrease -20°C / -4°F (24h).
6. Decrease of pedestal load bearing capacity induced by temperature increase to 65°C / +149°F (24h).



7. Characteristic value of deformation increase per unit of force induced by creep during 1000 hour test.
8. Reaction to fire classification, class.

## PEDESTAL HEAD FINISHING ELEMENT

FOR TILES VERSION	FOR DECKING VERSION
SPIRAL 017-030 with Gap spacer disc 3 mm (1/8") (D3)	SPIRAL 017-030 with Gap spacer disc 5 mm (3/16") (D5)
	
	

## USAGE

The pedestals can be adjusted to tiles or pavers (using a gap spacer disk-D3, D5) or joists (using a joist adapter-AD or DAD). The pedestals have a modular construction consisting of two elements, with an additional spacer base element (DS60) attached for heights of 90 mm (3 1/2") and above, allowing for height increase. Adjustment is done every 1 mm (1/32") by rotating the upper element.

## DATA LOGISTICS

Product	Type	Size	Quantity	Weight brutto
SPIRAL 017-030	Carton box	60 x 50 x 20 cm (23 2/3" x 19 2/3" x 7 7/8")	90 pcs.	14,54 kg (32.05 lbs)
	Pallet	120 x 100 x 220 cm (47 1/4" x 39 1/2" x 86")	3 600 pcs.	601,6 kg (1 326.3 lbs)

## ADDITIONAL ACCESSORIES

Height coupler 60 mm (2 1/3") **DS60**, Self leveling head LE MAX 0-6% 20 mm (3/4") height **LE MAX**, Up to wall clip **DDPWAP**, Rubber shim **SH145**, Gap spacer disk 3 mm (1/8") **D3**, Gap spacer disk 5 mm (3/16") **D5**, Gap spacer 3 mm (1/8") **L3**, Gap spacer 5 mm (3/16") **L5**, Joist adapter disk **DAD**, Joist adapter **AD**, Side finishing closure tile **DDP CP**, SBR rubber pad SBR 200/3 mm (7 7/8" x 7 7/8" x 1/8") **SBR200/3**, SBR rubber pad SBR 200/8 mm (7 7/8" x 7 7/8" x 5/16") **SBR200/8**.

## EXAMPLE OF SERIES SPIRAL APPLICATION

