

TECHNICAL DATA SHEET

RAPTOR XL4

RAPTOR pedestal XL4 215-245 mm (8 1/2" - 9 2/3")

BASIC INFORMATION

Product name	RAPTOR pedestal XL4 215-245 mm (8 1/2" - 9 2/3")
Trade name	RAPTOR XL4
Product group	Adjustable pedestals - RAPTOR series
Application	Terrace with decking
Code	10906 + 4× 10907



FEATURES

- Step-height regulation every 1 mm (1/32") from 215 to 245 mm (from 8 1/2" to 9 2/3").
- Consists five elements: BASE L, WEDGE XL, and four P30.
- Resistant to heavy loads.
- Suitable for joists.
- Slope correction up to 7%.

DESCRIPTION

The RAPTOR pedestal series is designed for lifting and leveling decks on joists. They have step-by-step adjustment every 1 mm (1/32"). Thanks to their construction, they can be used for decks mounted on both wooden and aluminum or composite joists. With their wide base, they provide stable support, even on surfaces with a slope. It is possible to expand the functionality of the pedestals with additional accessories.

PARAMETERS

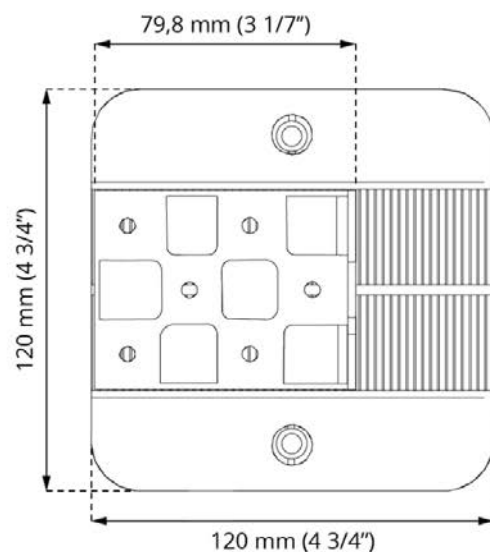
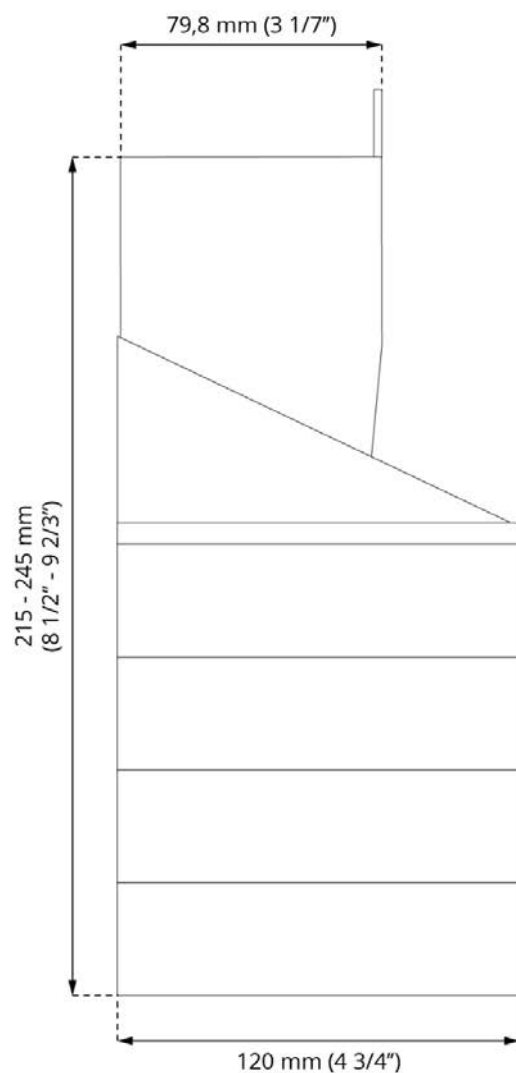
Minimum height	215 mm (8 1/2")
Maximum height	245 mm (9 2/3")
Height adjustment type	Step height adjustment (1 mm) (1/32")
Top dimensions	79 x 55,5 mm (43,8 cm ²) 3 1/9" x 2 1/6" (6.8 in ²)
Base dimensions	120 x 120 mm (144 cm ²) 4 3/4" x 4 3/4" (22.32 in ²)
Weight	0,489 kg 1.078 lbs
Load resistance	up to 1000 kg up to 2200 lbs
Operating temperature	-20°C; +65°C -4°F; +149°F
Color	Black
Material	Certified plastic PP

APPLICATION

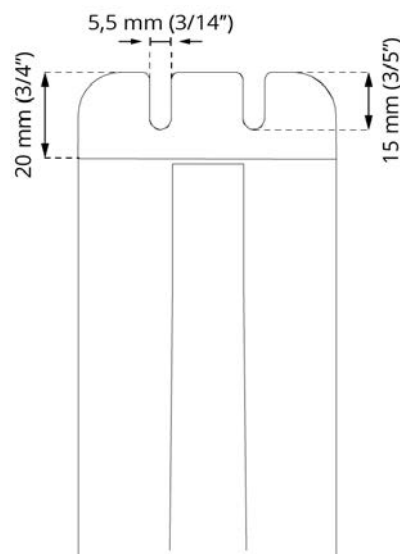
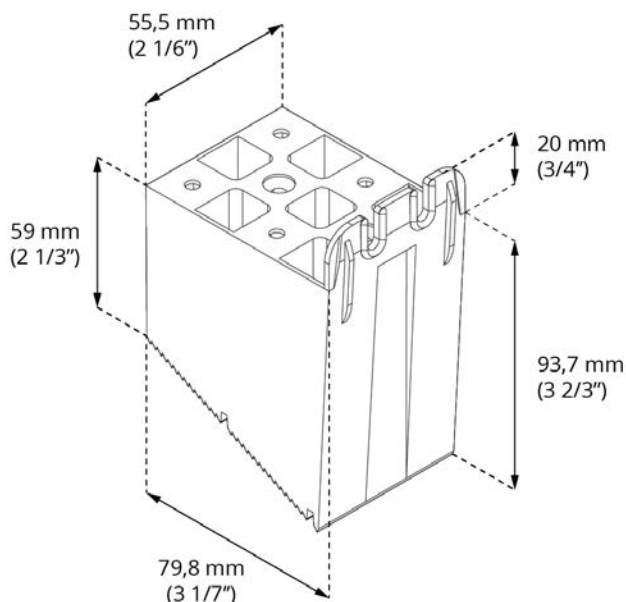
- Terrace with decking.

COMPONENTS

- The RAPTOR XL4 pedestal is composed of:
4× **P30** + **PL** + **KXL**



PEDESTAL TOP ELEMENT



USAGE

Pedestals consist two elements (three from a height of 125 mm (5")) because a height coupler P30 is added). All system elements have installation holes and drainage holes to prevent water from freezing inside the pedestal. Additionally, the installation holes allow optional attachment to the substrate. The pedestals can also be glued with mounting adhesive in the case of sensitive surfaces (such as waterproofing).

DATA LOGISTICS

Product	Type	Size	Quantity	Weight brutto
RAPTOR PL	Carton box	60 x 50 x 20 cm (23 2/3" x 19 2/3" x 7 7/8")	100 pcs.	9,3 kg (20.5 lbs)
	Pallet	120 x 100 x 220 cm (47 1/4" x 39 1/2" x 86")	3200 pcs.	392 kg (864.21 lbs)
RAPTOR KXL	Carton box	60 x 50 x 20 cm (23 2/3" x 19 2/3" x 7 7/8")	100 pcs.	10,4 kg (22.93 lbs)
	Pallet	120 x 100 x 220 cm (47 1/4" x 39 1/2" x 86")	4000 pcs.	436 kg (961.21 lbs)
RAPTOR P30	Carton box	30 x 25 x 20 cm (11 4/5" x 9 5/6" x 7 7/8")	100 pcs.	8,5 kg (18.74 lbs)
	Pallet	120 x 100 x 220 cm (47 1/4" x 39 1/2" x 86")	4000 pcs.	360 kg (793.66 lbs)

ADDITIONAL ACCESSORIES

Height coupler 30 mm (1 1/5") **P30**, Base slope corrector **DDR KN**, Protection pad 2 mm (1/16") **PO**, Acoustic pad 10 mm (6/16") **PA**, SBR rubber pad SBR 170/3 mm (6 2/3" x 1/8") **SBR170/3**.

EXAMPLE OF SERIES RAPTOR APPLICATION

