

# TECHNICAL DATA SHEET

## RAPTOR XL

RAPTOR pedestal XL 095-125 mm (3 2/3" - 5")

---

### BASIC INFORMATION

<b>Product name</b>	RAPTOR pedestal XL 095-125 mm (3 2/3" - 5")
<b>Trade name</b>	RAPTOR XL
<b>Product group</b>	Adjustable pedestals - RAPTOR series
<b>Application</b>	Terrace with decking
<b>Code</b>	10906



### FEATURES

- Step-height regulation every 1 mm (1/32") from 95 to 125 mm (from 3 2/3" to 5").
- Consists two elements: base L and wedge XL.
- Resistant to heavy loads.
- Suitable for joists.
- Slope correction up to 7%.

### DESCRIPTION

The RAPTOR pedestal series is designed for lifting and leveling decks on joists. They have step-by-step adjustment every 1 mm (1/32"). Thanks to their construction, they can be used for decks mounted on both wooden and aluminum or composite joists. With their wide base, they provide stable support, even on surfaces with a slope. It is possible to expand the functionality of the pedestals with additional accessories.

## PARAMETERS

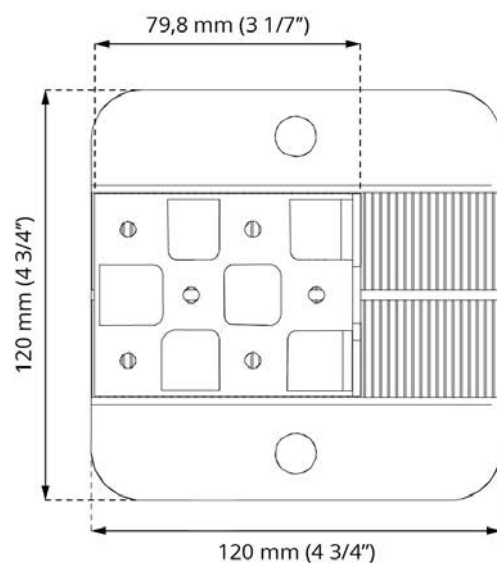
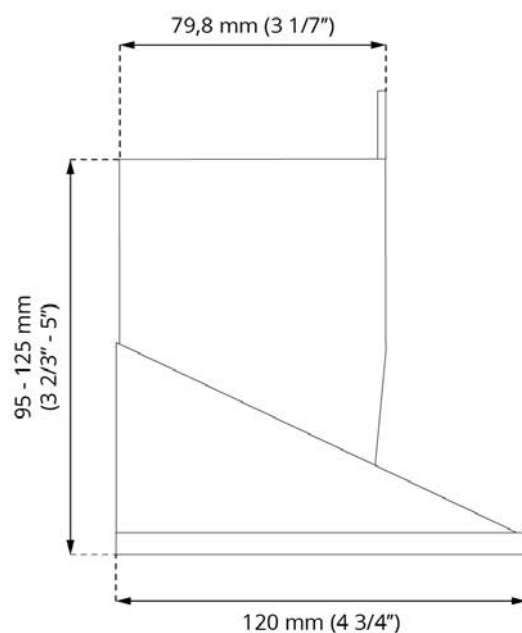
<b>Minimum height</b>	95 mm (3 2/3")
<b>Maximum height</b>	125 mm (5")
<b>Height adjustment type</b>	Step height adjustment (1 mm) (1/32")
<b>Top dimensions</b>	79 x 55,5 mm (43,8 cm <sup>2</sup> ) 3 1/9" x 2 1/6" (6.8 in <sup>2</sup> )
<b>Base dimensions</b>	120 x 120 mm (144 cm <sup>2</sup> ) 4 3/4" x 4 3/4" (22.32 in <sup>2</sup> )
<b>Weight</b>	0,181 kg 0.399 lbs
<b>Load resistance</b>	up to 1000 kg up to 2200 lbs
<b>Operating temperature</b>	-20°C; +65°C -4°F; +149°F
<b>Color</b>	Black
<b>Material</b>	Certified plastic PP

## APPLICATION

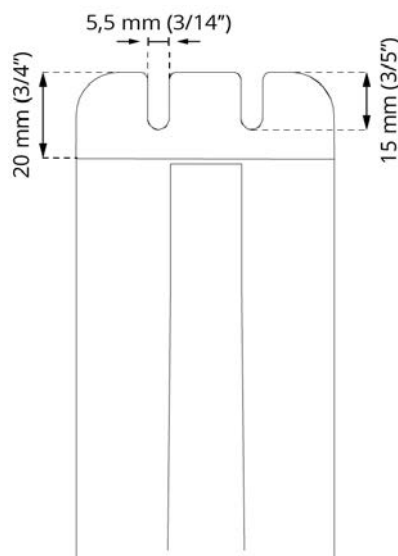
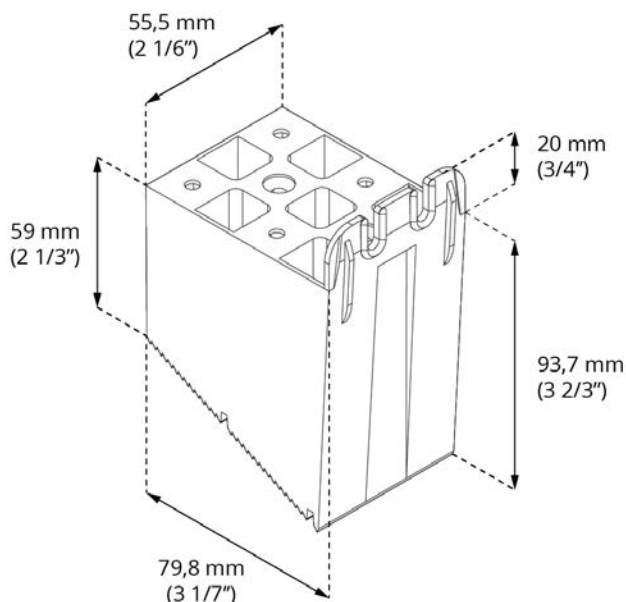
- Terrace with decking.

## COMPONENTS

- The RAPTOR XL pedestal is composed of 2 pieces:  
PL + KXL



## PEDESTAL TOP ELEMENT



## USAGE

Pedestals consist two elements (three from a height of 125 mm (5") because a height coupler P30 is added). All system elements have installation holes and drainage holes to prevent water from freezing inside the pedestal. Additionally, the installation holes allow optional attachment to the substrate. The pedestals can also be glued with mounting adhesive in the case of sensitive surfaces (such as waterproofing).

## DATA LOGISTICS

Product	Type	Size	Quantity	Weight brutto
RAPTOR PL	Carton box	60 x 50 x 20 cm (23 2/3" x 19 2/3" x 7 7/8")	100 pcs.	9,3 kg (20.5 lbs)
	Pallet	120 x 100 x 220 cm (47 1/4" x 39 1/2" x 86")	3200 pcs.	392 kg (864.21 lbs)
RAPTOR KXL	Carton box	60 x 50 x 20 cm (23 2/3" x 19 2/3" x 7 7/8")	100 pcs.	10,4 kg (22.93 lbs)
	Pallet	120 x 100 x 220 cm (47 1/4" x 39 1/2" x 86")	4000 pcs.	436 kg (961.21 lbs)

## ADDITIONAL ACCESSORIES

Height coupler 30 mm (1 1/5") **P30**, Base slope corrector **DDR KN**, Protection pad 2 mm (1/16") **PO**, Acoustic pad 10 mm (6/16") **PA**, SBR rubber pad SBR 170/3 mm (6 2/3" x 1/8") **SBR170/3**.

## EXAMPLE OF SERIES RAPTOR APPLICATION

