

# TECHNICAL DATA SHEET

## ST/END

Start / end clip for hidden deck fastener system

---

### BASIC INFORMATION

<b>Product name</b>	Start / end clip for hidden deck fastener system
<b>Trade name</b>	ST/END
<b>Product group</b>	Hidden deck fasteners
<b>Application</b>	Terrace with plank decking
<b>Code</b>	10201

### FEATURES

- For use at the beginning and end of the DECK-DRY system.
- Screw included.

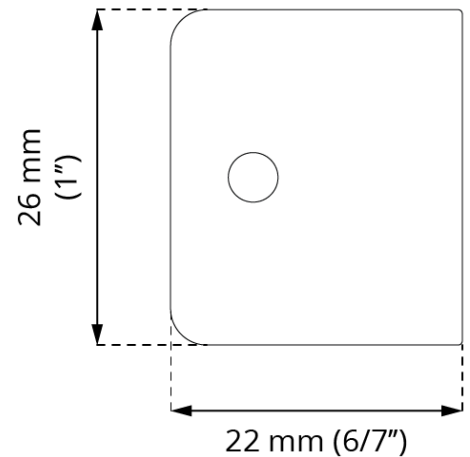
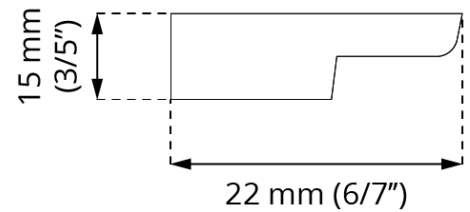
### DESCRIPTION

Clips placed at the beginning and end of an invisible mounting system.



## PARAMETERS

<b>Dimensions</b>	26 x 21 x 15 mm 6/7" x 1" x 3/5"
<b>Additional height</b>	15 mm 3/5"
<b>Weight</b>	0,004 kg 0.009 lbs
<b>Operating temperature</b>	-20°C; +65°C -4°F; +149°F
<b>Color</b>	Black
<b>Material</b>	Certified plastic PP
<b>Compatibility</b>	LT9, LT12, LT14

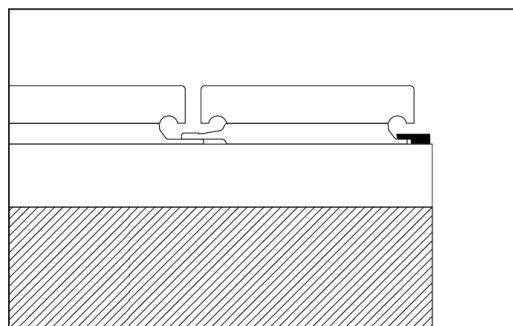


## APPLICATION

- Terrace with decking.

## EXAMPLE OF USAGE

Terrace with decking



## USAGE

Clips placed at the beginning and end of an invisible mounting system.

## DATA LOGISTICS

Product	Type	Size	Quantity	Weight brutto
ST/END	Carton box	30 x 50 x 20 cm (11 4/5" x 19 2/3" x 7 7/8")	1000 pcs.	4,26 kg (9.39 lbs)
	Pallet	120 x 100 x 220 cm (47 1/4" x 39 1/2" x 86")	160 000 pcs.	702 kg (1 547.65 lbs)

## ADDITIONAL ACCESSORIES

Screw for fixing clips with joists UW5.0X30 zinc black **T5X30G**, Screw for fixing clips with joist UW5.0X30 stainless steel **T5X30I**.

## EXAMPLE OF APPLICATION

