

TECHNICAL DATA SHEET

LT9

Hidden deck fastener for plank width 83-90 mm (3 3/11" - 3 6/11")

BASIC INFORMATION

Product name	Hidden deck fastener for plank width 83-90 mm (3 3/11" - 3 6/11")
Trade name	LT9
Product group	Hidden deck fasteners
Application	Terrace with plank decking
Code	10198



FEATURES

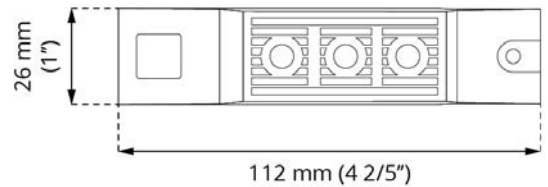
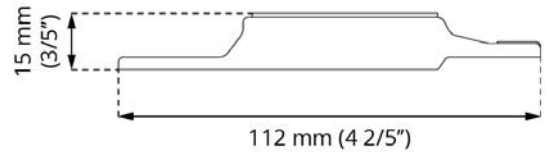
- For boards 83-90 mm (3 3/11" - 3 6/11") wide.
- Invisible connector for decking boards.

DESCRIPTION

Thanks to the clips, the terrace tiles have invisible connections with the joists. The terrace does not have visible screws and does not require the use of plugs. The use of invisible mounting clips allows for the creation of a smooth expansion gap between the planks/boards.

PARAMETERS

Dimensions	112 x 26 x 15 mm 4 2/5" x 1" x 3/5"
Additional height	15 mm 3/5"
Plank width	83 - 90 mm 3 3/11" - 3 6/11"
Weight	0,021 kg 0.046 lbs
Operating temperature	-20°C; +65°C -4°F; +149°F
Color	Black
Material	Certified plastic PP, metal
Compatibility	ST/END

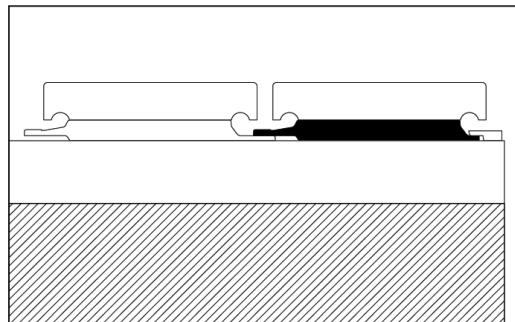


APPLICATION

- Terrace with decking.

EXAMPLE OF USAGE

Terrace with decking



USAGE

Clips have sizes corresponding to standard widths of decking tiles. There is a possibility to adjust the connectors to non-standard sizes by dividing them. Invisible mounting clips enable easy, fast, and durable installation of planks to joists.

DATA LOGISTICS

Product	Type	Size	Quantity	Weight brutto
LT9	Karton	30 x 50 x 20 cm (11 4/5" x 19 2/3" x 7 7/8")	400 pcs.	8,85 kg (19.51 lbs)
	Paleta	120 x 100 x 220 cm (47 1/4" x 39 1/2" x 86")	32 000 pcs.	728 kg (1 604.97 lbs)

ADDITIONAL ACCESSORIES

Start / end clip for hidden deck fastener system **ST/END**, Dedicated bit with extended length for using with hidden deck fasteners system **BIT20**, Screw for fixing clip with plank UW6.0X18 zinc **W6X18**, Screw for fixing clip with plank UW6.0X21 zinc **W6X21**, Screw for fixing clips with joists UW5.0X30 zinc black **T5X30G**, Screw for fixing clips with joist UW5.0X30 stainless steel **T5X30I**.

EXAMPLE OF APPLICATION

