

# TECHNICAL DATA SHEET

## LT14

Hidden deck fastener, plank width 138 - 145 mm (5 3/7" - 5 5/7")

---

### BASIC INFORMATION

<b>Product name</b>	Hidden deck fastener, plank width 138 - 145 mm (5 3/7" - 5 5/7")
<b>Trade name</b>	LT14
<b>Product group</b>	Hidden deck fasteners
<b>Application</b>	Terrace with plank decking
<b>Code</b>	10200



### FEATURES

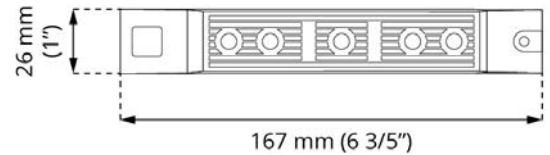
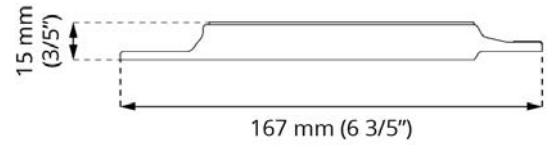
- For boards 138-145 mm (5 3/7" - 5 5/7") wide.
- 20 pcs/sqm.
- Invisible connector for decking boards.

### DESCRIPTION

Thanks to the clips, the terrace tiles have invisible connections with the joists. The terrace does not have visible screws and does not require the use of plugs. The use of invisible mounting clips allows for the creation of a smooth expansion gap between the planks/boards.

## PARAMETERS

<b>Dimensions</b>	167 x 26 x 15 mm 6 3/5" x 1" x 3/5"
<b>Additional height</b>	15 mm 3/5"
<b>Plank width</b>	138 - 145 mm 5 3/7" - 5 5/7"
<b>Weight</b>	0,031 kg 0.068 lbs
<b>Operating temperature</b>	-20°C; +65°C -4°F; +149°F
<b>Color</b>	Black
<b>Material</b>	Certified plastic PP, metal
<b>Compatibility</b>	ST/END

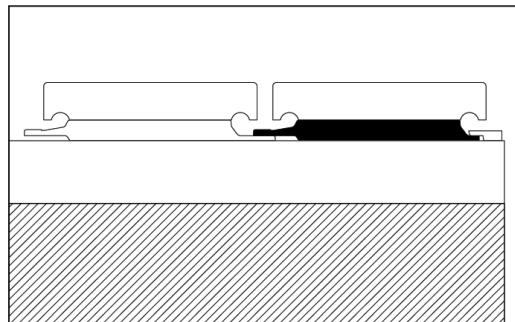


## APPLICATION

- Terrace with decking.

## EXAMPLE OF USAGE

Terrace with decking



## USAGE

Clips have sizes corresponding to standard widths of decking tiles. There is a possibility to adjust the connectors to non-standard sizes by dividing them. Invisible mounting clips enable easy, fast, and durable installation of planks to joists.

## DATA LOGISTICS

Product	Type	Size	Quantity	Weight brutto
LT14	Carton box	30 x 50 x 20 cm (11 4/5" x 19 2/3" x 7 7/8")	250 pcs.	8,2 kg (18.08 lbs)
	Pallet	120 x 100 x 220 cm (47 1/4" x 39 1/2" x 86")	20 000 pcs.	676 kg (1 490.32 lbs)

## ADDITIONAL ACCESSORIES

Start / end clip for hidden deck fastener system **ST/END**, Dedicated bit with extended length for using with hidden deck fasteners system **BIT20**, Screw for fixing clip with plank UW6.0X18 zinc **W6X18**, Screw for fixing clip with plank UW6.0X21 zinc **W6X21**, Screw for fixing clips with joists UW5.0X30 zinc black **T5X30G**, Screw for fixing clips with joist UW5.0X30 stainless steel **T5X30I**.

## EXAMPLE OF APPLICATION

