

# TECHNICAL DATA SHEET

## BIT20

Dedicated bit with extended length for using with hidden deck fasteners system

---

### BASIC INFORMATION

<b>Product name</b>	Dedykowany Bit T20 przedłużony do systemu niewidocznego montażu DECK-DRY
<b>Trade name</b>	BIT20
<b>Product group</b>	Hidden deck fasteners
<b>Application</b>	Terrace with plank decking
<b>Code</b>	10002



### FEATURES

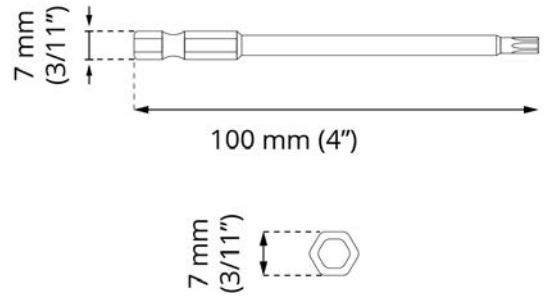
- For screwdrivers.
- Makes installation easier.

### DESCRIPTION

Bit for a screwdriver facilitating the installation of a hidden mounting clip system.

## PARAMETERS

<b>Dimensions</b>	100 x 7 mm 4" x 3/11"
<b>Type</b>	Bit T20
<b>Weight</b>	0,017 kg 0.037 lbs
<b>Operating temperature</b>	-20°C; +65°C -4°F; +149°F
<b>Color</b>	Metal
<b>Material</b>	Metal
<b>Compatibility</b>	LT9, LT12, LT14

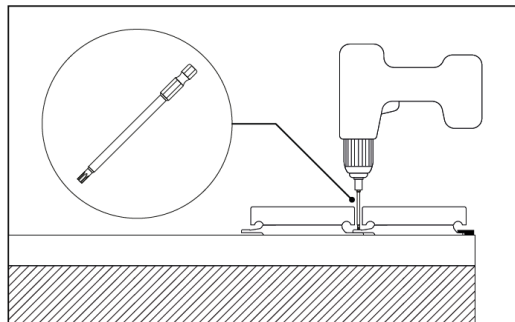


## APPLICATION

- Terrace with decking.

## EXAMPLE OF USAGE

### Terrace with decking



## USAGE

Drill attachment.

## DATA LOGISTICS

Product	Type	Size	Quantity	Weight brutto
BIT20	Carton box	30 x 25 x 20 cm (11 4/5" x 9 5/6" x 7 7/8")	300 pcs.	5,36 kg (11.82 lbs)
	Pallet	120 x 100 x 220 cm (47 1/4" x 39 1/2" x 86")	48 000 pcs.	878 kg (1 935.66 lbs)

## EXAMPLE OF APPLICATION

