

# TECHNICAL DATA SHEET

## ALU 130-155

Non combustible pedestal ALU 130-155 mm (5 1/8" - 6 1/9")

### BASIC INFORMATION

<b>Product name</b>	Non combustible pedestal ALU 130-155 mm (5 1/8" - 6 1/9")
<b>Trade name</b>	ALU 130-155
<b>Product group</b>	Adjustable pedestals - ALU series
<b>Application</b>	Terrace with tiles
<b>Code</b>	10997

### FEATURES

- Smooth height adjustment from 130 to 155 mm (from 5 1/8" to 6 1/9").
- Aluminum, fire-resistant safety pedestals, EURO A1 class.
- Built-in self-leveling function from 0 to 6%.
- High load capacity.
- Adapted to tiles/pavers.

### DESCRIPTION

The ALU series has been specially designed for professional terraces that are built in facilities where higher fire resistance is required. It is used in projects with increased requirements. The durable aluminum construction provides high load capacity, allowing for the maintenance of large loads. The ALU series pedestals have a smooth adjustment function, which allows for achieving any height in the range of 40 to 200 mm (1 4/7" to 8"). Additionally, they have a built-in self-leveling function, allowing for achieving a horizontal terrace surface without the need for additional accessories on a slope of up to 6%. They are also resistant to loads and mechanical damage, making them ideal for professional applications.



## PARAMETERS

<b>Minimum height</b>	130 mm (5 1/8")
<b>Maximum height</b>	155 mm (6 1/9")
<b>Height adjustment type</b>	Smooth height adjustment
<b>Cap diameter</b>	Ø 100 mm (78,5 cm <sup>2</sup> ) Ø 4" (12,17 in <sup>2</sup> )
<b>Base diameter</b>	Ø 130 mm (132,7 cm <sup>2</sup> ) Ø 1 1/3" (20,57 in <sup>2</sup> )
<b>Tile gap width</b>	3 mm (1/8")
<b>Weight</b>	0,432 kg 0.952 lbs
<b>Load resistance</b>	up to 2000 kg up to 4400 lbs
<b>Operating temperature</b>	-20°C; +65°C -4°F; +149°F
<b>Color</b>	Aluminum
<b>Material</b>	Aluminum

## APPLICATION

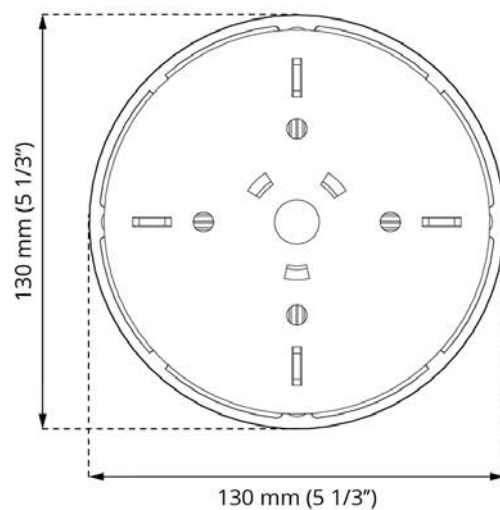
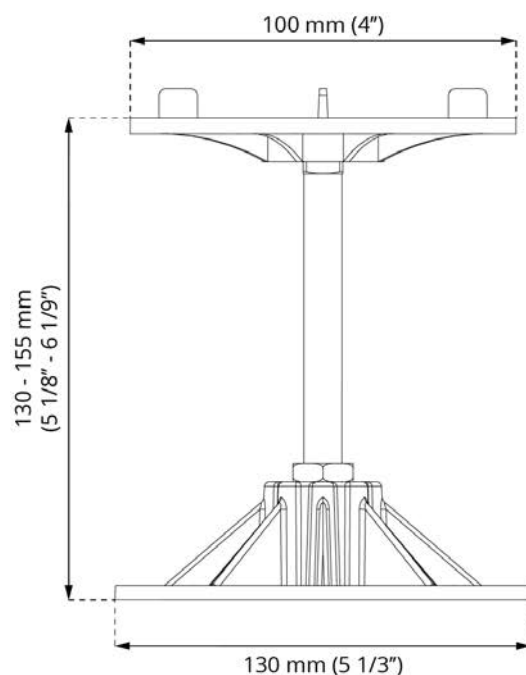
- Terrace with tiles with improved fire resistance.

## COMPONENTS

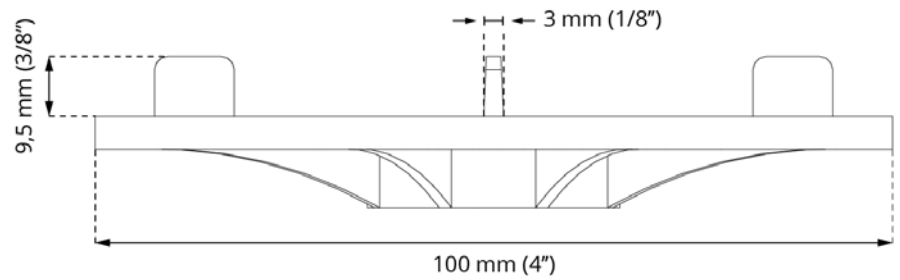
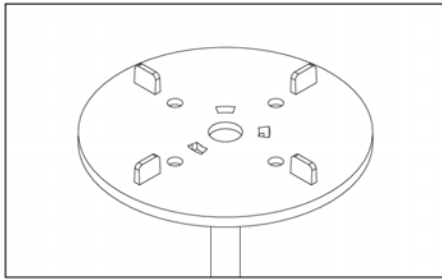
- The ALU 130-155 pedestal is composed of:  
**Base + Base screw nut + Low height locking nut  
 + Screw + Head**

## FIRE RESISTANCE

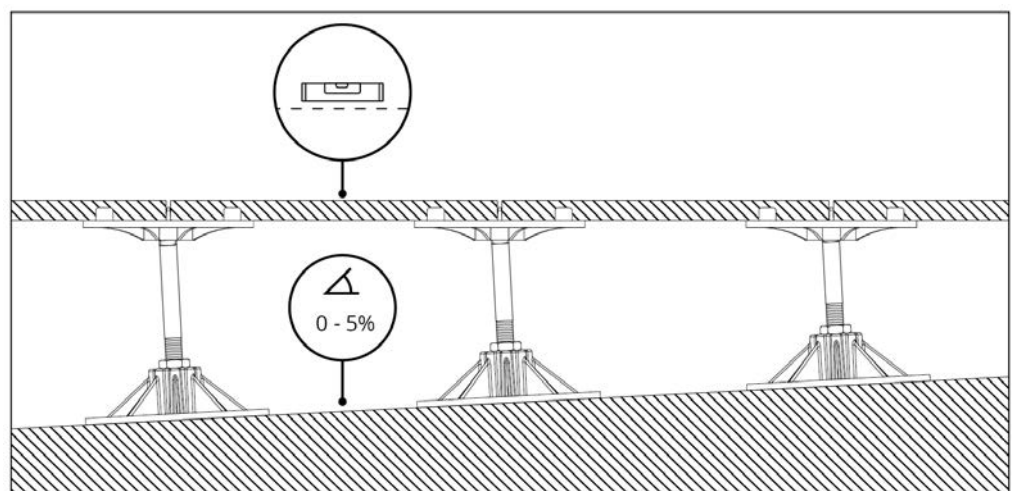
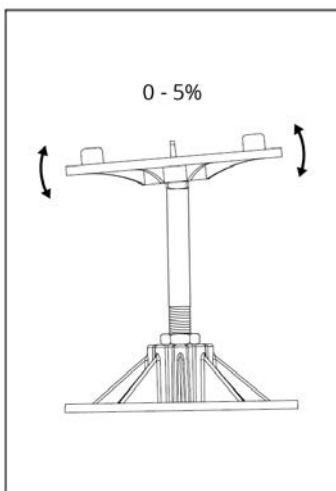
- The structure of the pedestals is made entirely of fireproof materials, safety class EURO A1.
- The pedestals have no plastic or rubber elements.



## PEDESTAL HEAD



## SELF LEVELLING



## USAGE

ALU pedestals are designed for use with tiles/pavers. Made of five aluminum elements: base, high nut, low nut, screw, and cap. They have built-in 3 mm (1/8") gap spacers on the cap and the ability for smooth adjustment using a screw, which is locked in place by two nuts - in the base and counter. The screw also allows for self-leveling of the pedestal cap.

## DATA LOGISTICS

Product	Type	Size	Quantity	Weight brutto
ALU 130-155	Carton box	30 x 50 x 20 cm (11 4/5" x 19 2/3" x 7 7/8")	30 pcs.	13,41 kg (29.56 lbs)
	Pallet	120 x 100 x 220 cm (47 1/4" x 39 1/2" x 86")	2400 pcs.	1093 kg (2 409.65 lbs)

## EXAMPLE OF SERIES ALU APPLICATION

