

TECHNICAL DATA SHEET

WP

Windproof system

BASIC INFORMATION

Product name	Windproof system
Trade name	WP
Product group	Accessories
Application	Terrace with tiles
Code	102354
Compatibility	MAX series



FEATURES

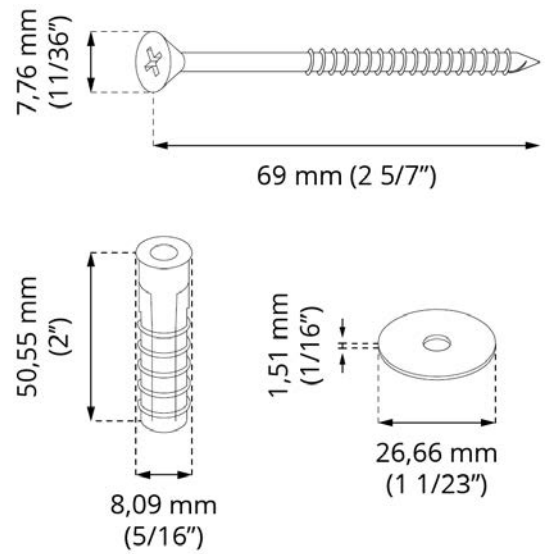
- For use with the MAX series.
- Permanently secures the tile to the pedestal.
- Requires cutting the tile.

DESCRIPTION

The system of permanent fastening of tiles to the pedestal prevents the tiles from lifting due to very strong wind. It requires cutting the corner of the tile.

PARAMETERS

	Screw: 69 x 7,76 mm (2 5/7" x 11/36")
Dimensions	Dowel: 50,55 x 8,09 mm (2" x 5/16")
	Washer: 26,66 x 1,51 mm (1 1/23" x 1/16")
Weight	0,0011 kg 0.0024 lbs
Operating temperature	-20°C; +65°C -4°F; +149°F
Color	Metal Black
Material	Metal Plastic

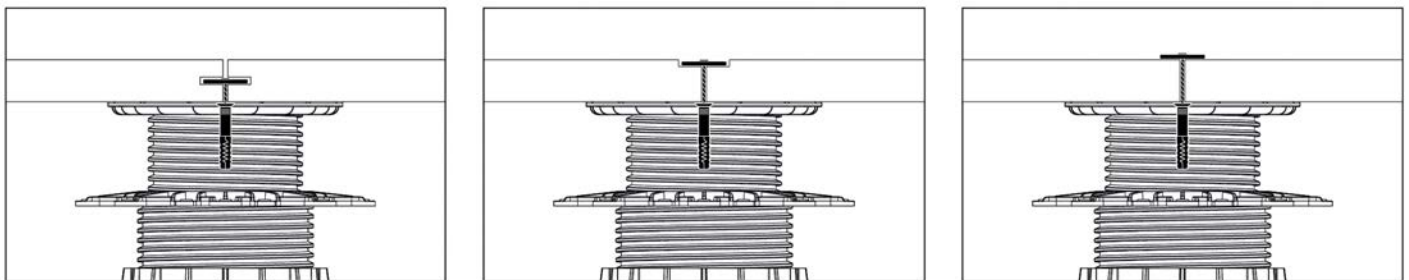


APPLICATION

- Terrace with tiles.

EXAMPLE OF USAGE

MAX series



USAGE

The windproof system allows for permanently securing the tile to the pedestal. The system is mounted from the top, through the tile (which is why a cut is required).

DATA LOGISTICS

Product	Type	Size	Quantity	Weight netto
WP	Carton box	30 x 25 x 20 cm	500 pcs.	0,55 kg (1.21 lbs)
	Pallet	120 x 100 x 220 cm (47 1/4" x 39 1/2" x 86")	80 000 pcs.	88 kg (194 lbs)

EXAMPLE OF APPLICATION

