

TECHNICAL DATA SHEET

SH145

Rubber shim SH145

BASIC INFORMATION

Product name	Rubber shim SH145
Trade name	SH145
Product group	Accessories
Application	Terrace with tiles
Code	10314
Compatibility	SUPPORT PADS series - DDP 010 - DDP 015 SPIRAL series MAX series



FEATURES

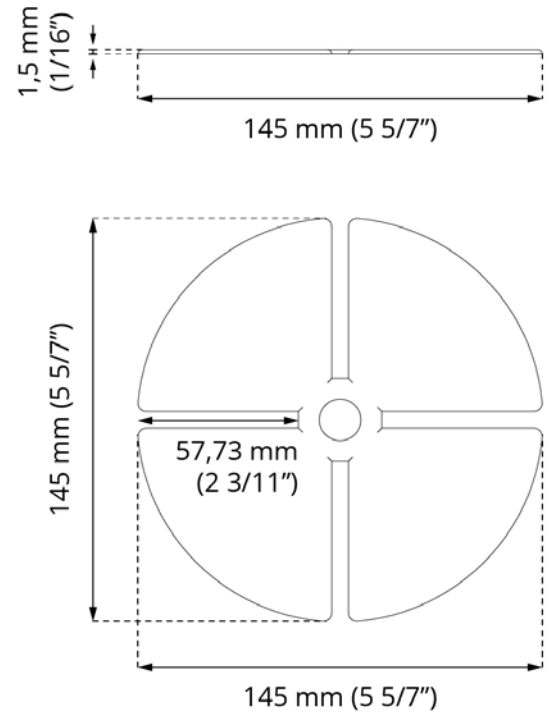
- Used with DDP010 and DDP015 pads, SPIRAL and MAX pedestal series.
- Positively affects acoustics.
- Can be used to level height differences between tiles.
- Thickness 1.5 mm (1/16").

DESCRIPTION

Dampens the upper part of the pedestal. It can be used to level height differences between tiles. Increases the height of the pedestal by 1.5 mm (1/16"). Made of flexible material, which positively affects the acoustics of the terrace, it acts as a barrier for sand particles from getting between the pedestal and the tiles

PARAMETERS

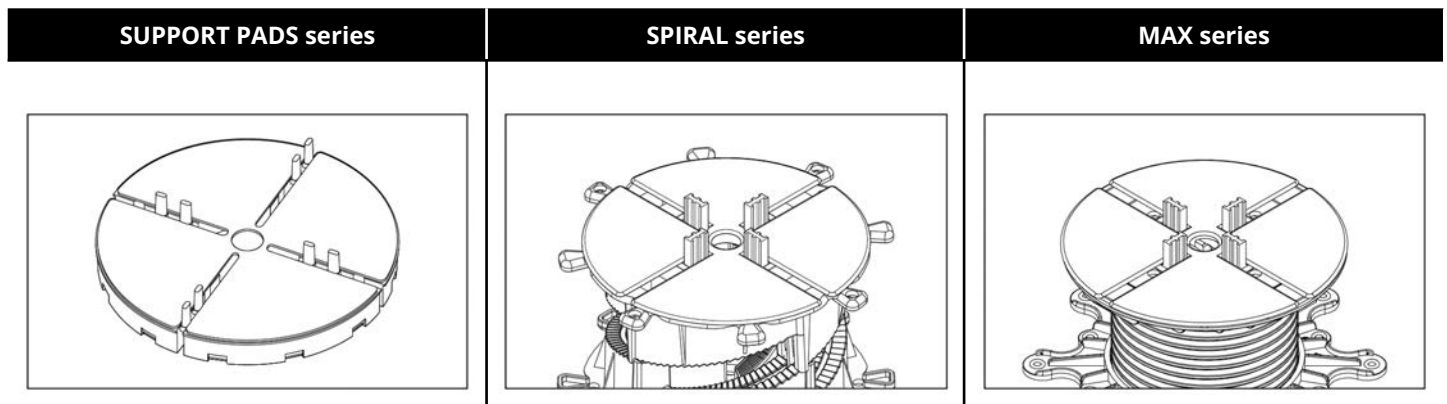
Dimensions	145 x 145 x 1,5 mm 5 5/7" x 5 5/7" x 1/16"
Additional height	1,5 mm 1/16"
Weight	0,0273 kg 0.0602 lbs
Operating temperature	-20°C; +65°C -4°F; +149°F
Color	Black
Material	Rubber



APPLICATION

- Terrace with tiles.

EXAMPLE OF USAGE



USAGE

The shim should be placed on the base/head of the pedestal, under the tile. It can be trimmed to the desired shape.

DATA LOGISTICS

Product	Type	Size	Quantity	Weight brutto
SH145	Carton box	30 x 50 x 20 cm (11 4/5" x 19 2/3" x 7 7/8")	600 pcs.	16,83 kg (37.10 lbs)
	Pallet	120 x 100 x 220 cm (47 1/4" x 39 1/2" x 86")	48 000 pcs.	1 336 kg (2 945.38 lbs)

EXAMPLE OF APPLICATION

