

TECHNICAL DATA SHEET

SH100

Rubber shim SH100

BASIC INFORMATION

Product name	Rubber shim SH100
Trade name	SH100
Product group	Accessories
Application	Terrace with tiles
Code	10399
Compatibility	SUPPORT PADS series - DDP 008 STANDARD series



FEATURES

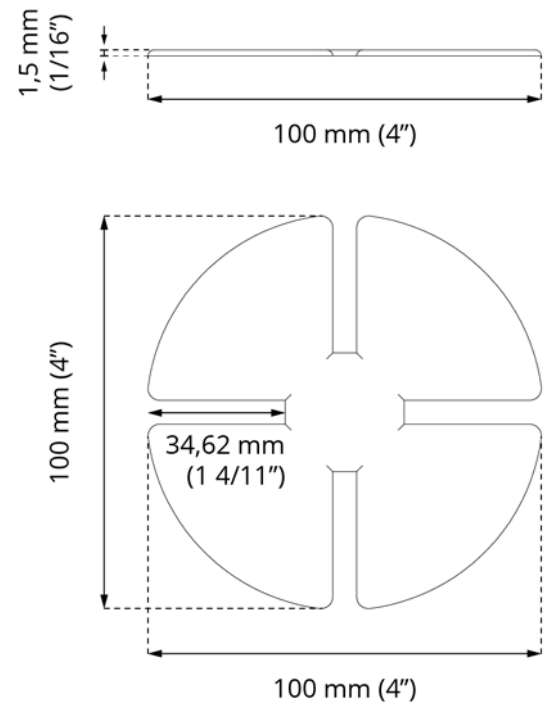
- Used with the STANDARD series pedestal and the DDP008 support pads.
- Positively affects acoustics.
- Can be used to level height differences between tiles.
- Thickness of 1.5 mm (1/16").

DESCRIPTION

Dampens the upper part of the pedestal. It can be used to level height differences between tiles. Increases the height of the pedestal by 1.5 mm (1/16"). Made of flexible material, which positively affects the acoustics of the terrace, it acts as a barrier for sand particles from getting between the pedestal and the tiles

PARAMETERS

Dimensions	100 x 100 x 1,5 mm 4" x 4" x 1/16"
Additional height	1,5 mm 1/16"
Weight	0,0124 kg 0.0273 lbs
Operating temperature	-20°C; +65°C -4°F; +149°F
Color	Black
Material	Rubber

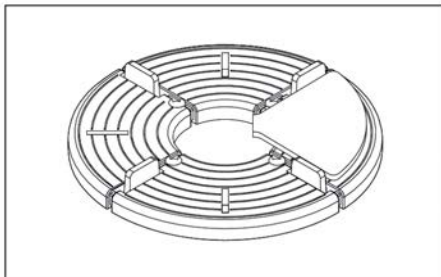


APPLICATION

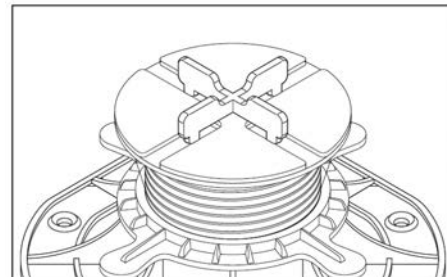
- Terrace with tiles.

EXAMPLE OF USAGE

SUPPORT PADS series



STANDARD series



USAGE

The shim should be placed on the base/head of the pedestal, under the tile. It can be trimmed to the desired shape.

DATA LOGISTICS

Product	Type	Size	Quantity	Weight brutto
SH100	Carton box	30 x 50 x 20 cm (11 4/5" x 19 2/3" x 7 7/8")	1 400 pcs.	17,81 kg (39.26 lbs)
	Pallet	120 x 100 x 220 cm (47 1/4" x 39 1/2" x 86")	112 000 pcs.	1 445 kg (3 185.68 lbs)

EXAMPLE OF APPLICATION

