

# TECHNICAL DATA SHEET

## SBR200/8

SBR rubber pad SBR 200/8 mm (7 7/8" x 5/16")

---

### BASIC INFORMATION

<b>Product name</b>	SBR rubber pad SBR 200/8 mm (7 7/8" x 5/16")
<b>Trade name</b>	SBR200/8
<b>Product group</b>	Accessories
<b>Application</b>	Terrace with tiles Terrace with decking
<b>Code</b>	102559
<b>Compatibility</b>	SUPPORT PADS series - DDP 010 - DDP 015 - DDP 016 SPIRAL series STANDARD series



### FEATURES

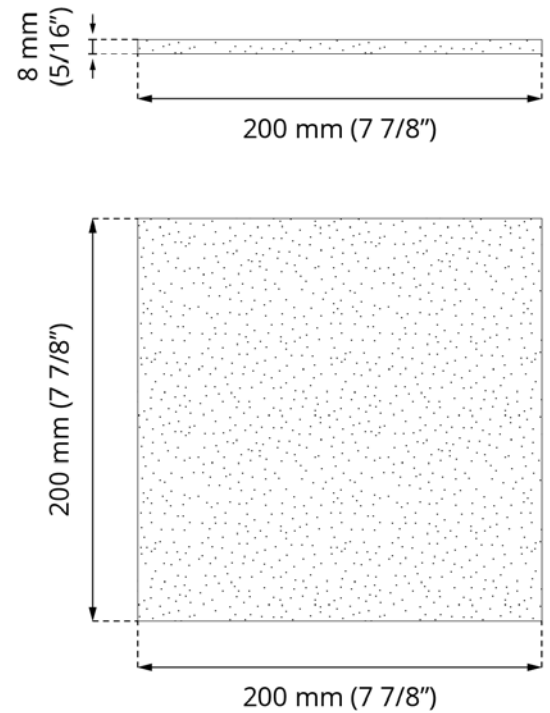
- Designed for DDP 010, DDP 015, DDP 016 pads, SPIRAL and STANDARD series pedestals.
- Provides insulation and surface protection.
- Serves as a soundproofing function.
- Height of 8 mm (5/16").

### DESCRIPTION

Designed for DDP 010, DDP 015, DDP 016 pads, SPIRAL and STANDARD series pedestals. Placed under the pedestal, it provides insulation protection and protects sensitive surfaces from damage. Thanks to the material it is made of - rubber granulate, it also serves as a soundproofing function. It increases the height of the pedestal by 8 mm (5/16").

## PARAMETERS

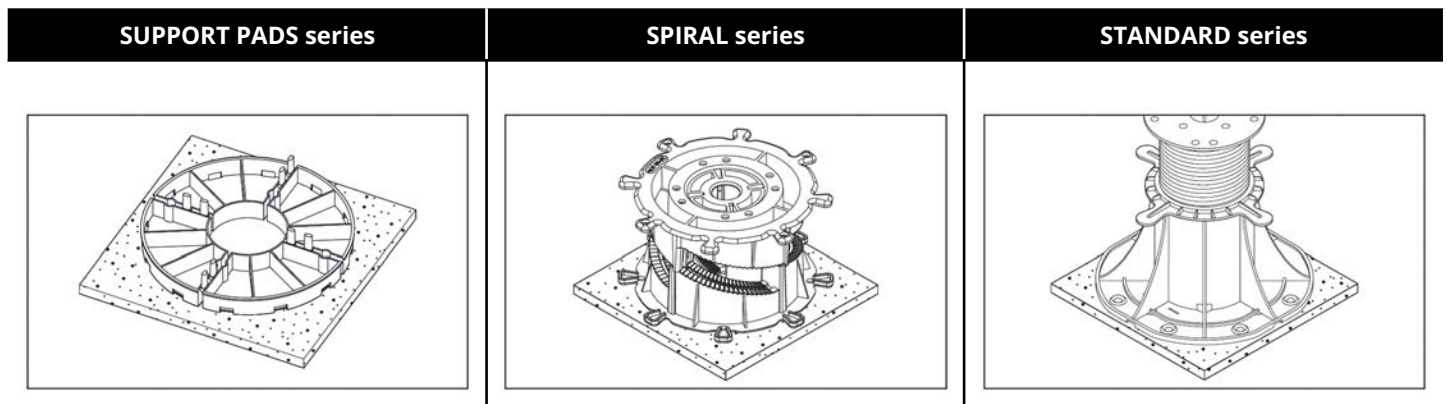
<b>Dimensions</b>	200 x 200 x 8 mm 7 7/8" x 7 7/8" x 5/16"
<b>Additional height</b>	8 mm 5/16"
<b>Weight</b>	0,53 kg 1.169 lbs
<b>Operating temperature</b>	-20°C; +65°C -4°F; +149°F
<b>Color</b>	Black
<b>Material</b>	Rubber



## APPLICATION

- Terrace with tiles.
- Terrace with decking.

## EXAMPLE OF USAGE



## USAGE

The pad is placed on the ground/surface under the pedestal. Thanks to the material it is made of, it provides surface protection and acoustic comfort.

## DATA LOGISTICS

Product	Type	Size	Quantity	Weight brutto
SBR200/8	Carton box	30 x 25 x 20 cm (11 4/5" x 9 5/6" x 7 7/8")	20 pcs.	10,86 kg (23.94 lbs)
	Pallet	120 x 100 x 220 cm (47 1/4" x 39 1/2" x 86")	1 600 pcs.	889 kg (1 959.91 lbs)

## EXAMPLE OF APPLICATION

