

TECHNICAL DATA SHEET

SBR200/3

SBR rubber pad SBR 200/3 mm (7 7/8" x 1/8")

BASIC INFORMATION

Product name	SBR rubber pad SBR 200/3 mm (7 7/8" x 1/8")
Trade name	SBR200/3
Product group	Accessories
Application	Terrace with tiles Terrace with decking
Code	102557
Compatibility	SUPPORT PADS series - DDP 010 - DDP 015 - DDP 016 SPIRAL series STANDARD series



FEATURES

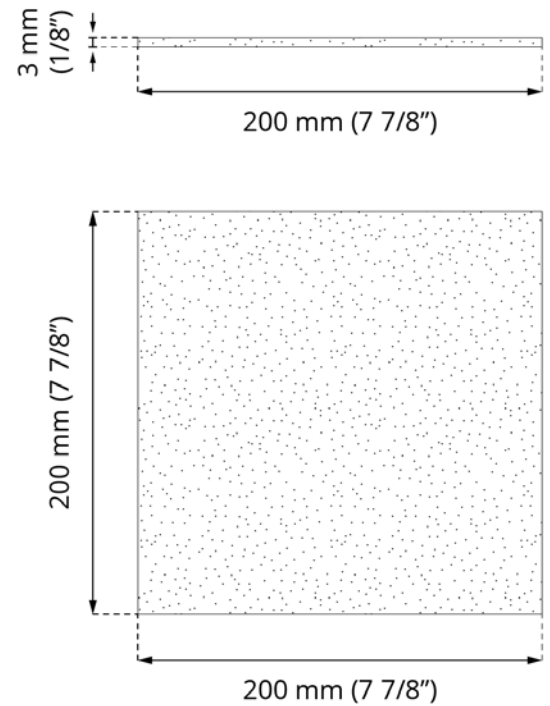
- Designed for DDP 010, DDP 015, DDP 016 pads, SPIRAL and STANDARD series pedestals.
- Provides insulation and surface protection.
- Serves as a soundproofing function.
- Height of 3 mm (1/8").

DESCRIPTION

Designed for DDP 010, DDP 015, DDP 016 pads, SPIRAL and STANDARD series pedestals. Placed under the pedestal, it provides insulation protection and protects sensitive surfaces from damage. Thanks to the material it is made of - rubber granulate, it also serves as a soundproofing function. It increases the height of the pedestal by 3 mm (1/8").

PARAMETERS

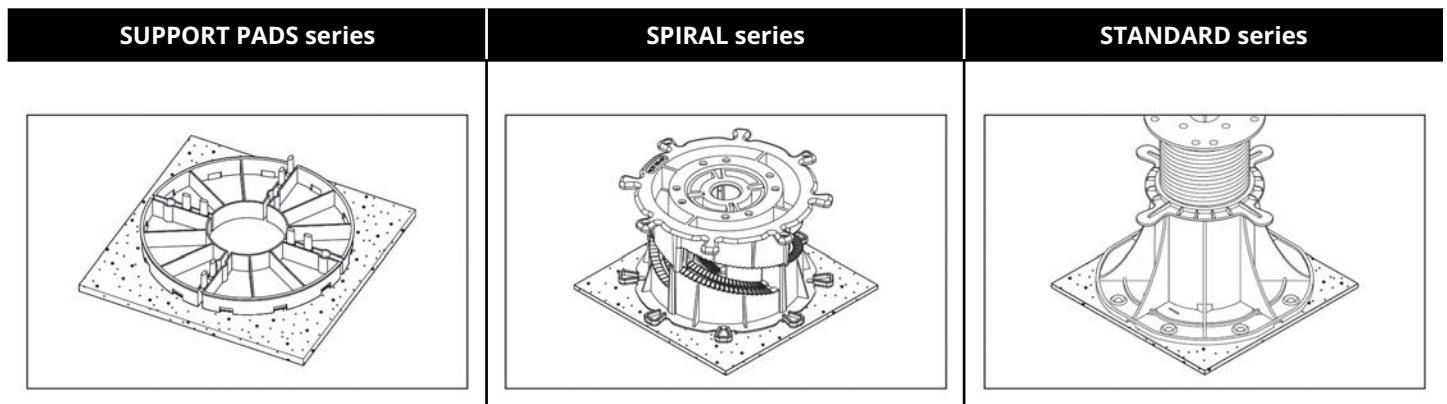
Dimensions	200 x 200 x 3 mm 7 7/8" x 7 7/8" x 1/8"
Additional height	3 mm 1/8"
Weight	0,28 kg 0.617 lbs
Operating temperature	-20°C; +65°C -4°F; +149°F
Color	Black
Material	Rubber



APPLICATION

- Terrace with tiles.
- Terrace with decking.

EXAMPLE OF USAGE



USAGE

The pad is placed on the ground/surface under the pedestal. Thanks to the material it is made of, it provides surface protection and acoustic comfort.

DATA LOGISTICS

Product	Type	Size	Quantity	Weight brutto
SBR200/3	Carton box	30 x 25 x 20 cm (11 4/5" x 9 5/6" x 7 7/8")	60 pcs.	17,6 kg (38.8 lbs)
	Pallet	120 x 100 x 220 cm (47 1/4" x 39 1/2" x 86")	4 800 pcs.	1 385 kg (3 053.4 lbs)

EXAMPLE OF APPLICATION

