

# TECHNICAL DATA SHEET

## PPK

Drill driver bit tool

---

### BASIC INFORMATION

<b>Product name</b>	Drill driver bit tool
<b>Trade name</b>	PPK
<b>Product group</b>	Accessories
<b>Application</b>	Terrace with tiles Terrace with decking
<b>Code</b>	107471
<b>Compatibility</b>	STANDARD series MAX series



### FEATURES

- Used for quick adjustment of the pedestal height.
- For adjusting height of pedestal from the STANDARD and MAX series.
- A screwdriver with a right-left rotation option is necessary.

### DESCRIPTION

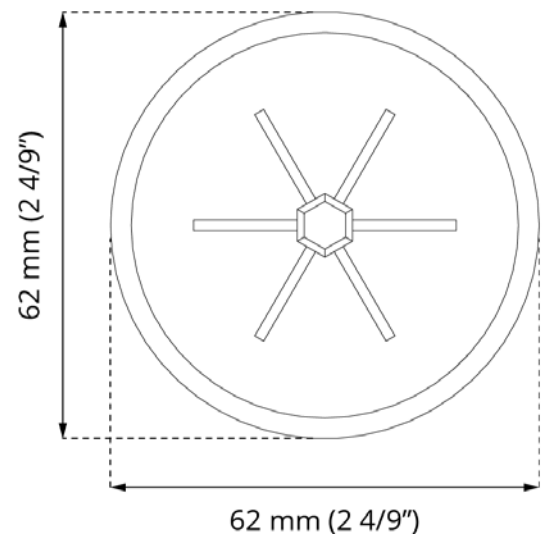
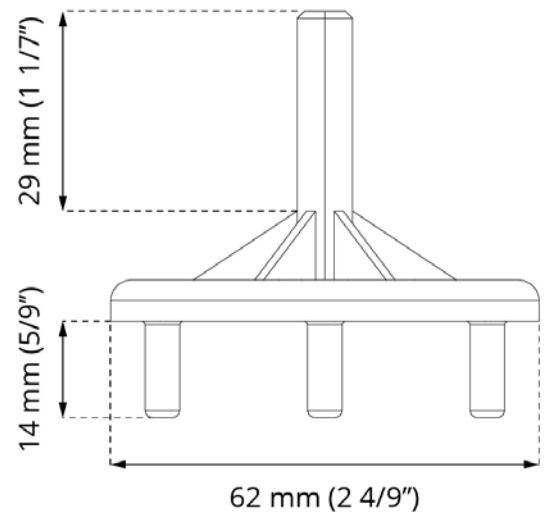
The bit for the screwdriver is a component used for quickly changing the height of the pedestal. It facilitates the adjustment of STANDARD and MAX series pedestals. To use the bit, a screwdriver with a right-left rotation option is necessary. The bit for the screwdriver speeds up the process of adjusting the height of supports, significantly reducing the time it takes to build a raised deck paver terrace.

## PARAMETERS

<b>Dimensions</b>	62 x 62 x 55 mm 2 4/9" x 2 4/9" x 2 1/11"
<b>Weight</b>	0,02 kg 0.044 lbs
<b>Operating temperature</b>	-20°C; +65°C -4°F; +149°F
<b>Color</b>	Black
<b>Material</b>	Certified plastic PP

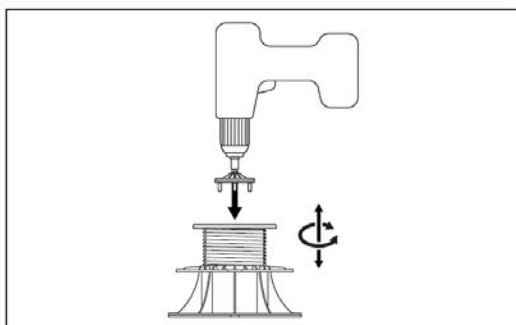
## APPLICATION

- Terrace with tiles.
- Terrace with decking.

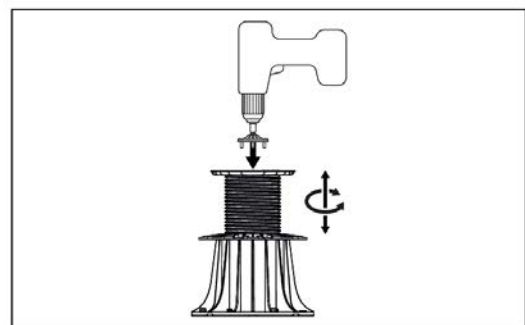


## EXAMPLE OF USAGE

**Seria STANDARD**



**Seria MAX**



## USAGE

The bit of the screwdriver has a universal hexagonal tip compatible with any screwdriver. To quickly adjust the pedestal, you need to place four bit pins in the pedestal screw. By rotating the screwdriver through screwing or unscrewing, the height of the pedestal changes.

## DATA LOGISTICS

Product	Type	Size	Quantity	Weight netto
PPK	Carton box	-	1 pcs.	0,02 kg (0.044 lbs)

## EXAMPLE OF APPLICATION

