

# TECHNICAL DATA SHEET

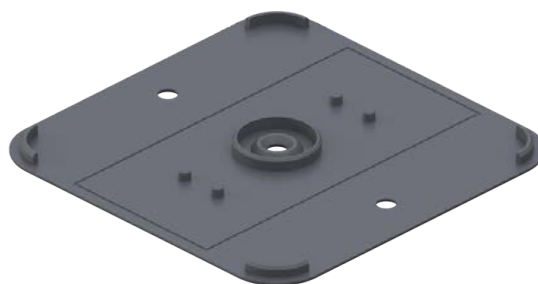
## PO

Protection pad 2 mm (1/16")

---

### BASIC INFORMATION

<b>Product name</b>	Protection pad 2 mm (1/16")
<b>Trade name</b>	PO
<b>Product group</b>	Accessories
<b>Application</b>	Terrace with decking
<b>Code</b>	107483
<b>Compatibility</b>	RAPTOR series



### FEATURES

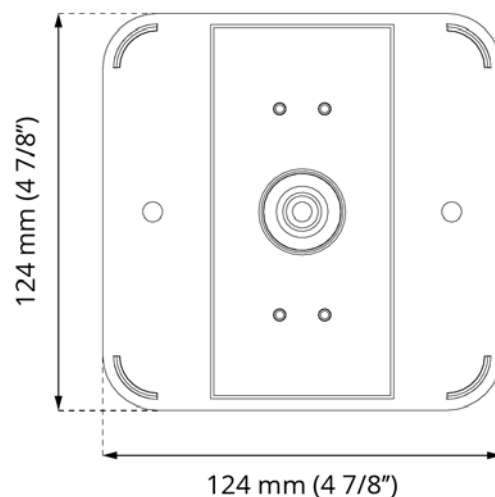
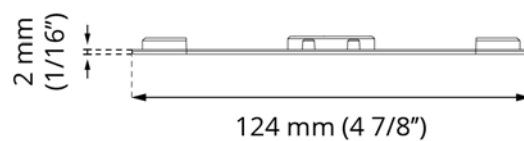
- For use with the RAPTOR series.
- Provides insulation and protection for other surfaces.
- Height of 2 mm (1/16").

### DESCRIPTION

Placed under the pedestal, it provides protection for insulation and surfaces sensitive to damage. It increases the height of the pedestal by 2 mm (1/16").

## PARAMETERS

<b>Dimensions</b>	124 x 124 x 2 mm 4 7/8" x 4 7/8" x 1/8"
<b>Additional height</b>	2 mm 1/8"
<b>Weight</b>	0,031 kg 0.068 lbs
<b>Operating temperature</b>	-20°C; +65°C -4°F; +149°F
<b>Color</b>	Black
<b>Material</b>	Certified plastic PP

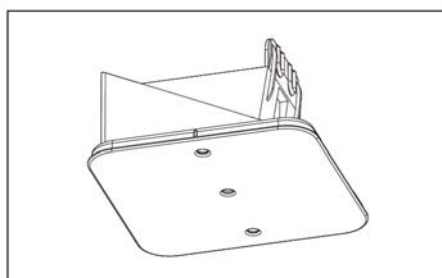


## APPLICATION

- Terrace with decking.

## EXAMPLE OF USAGE

### RAPTOR spiral



## USAGE

The pad is placed on the ground/surface under the pedestal. Thanks to the material it is made of, it provides surface protection and acoustic comfort.

## DATA LOGISTICS

Product	Type	Size	Quantity	Weight brutto
PO	Carton box	30 x 25 x 20 cm (11 4/5" x 9 5/6" x 7 7/8")	100 pcs.	3,36 kg (7.41 lbs)
	Pallet	120 x 100 x 220 cm (47 1/4" x 39 1/2" x 86")	16 000 pcs.	558 kg (1 230.18 lbs)

## EXAMPLE OF APPLICATION

