

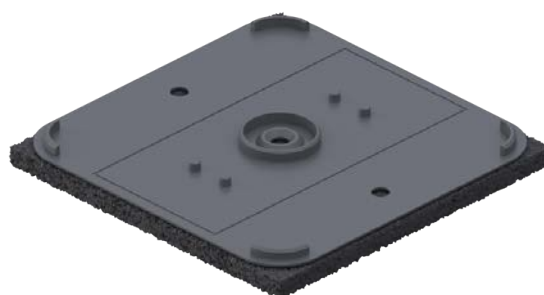
TECHNICAL DATA SHEET

PA

Acoustic pad 10 mm (6/16")

BASIC INFORMATION

Product name	Acoustic pad 10 mm (6/16")
Trade name	PA
Product group	Accessories
Application	Terrace with decking
Code	107484
Compatibility	RAPTOR series



FEATURES

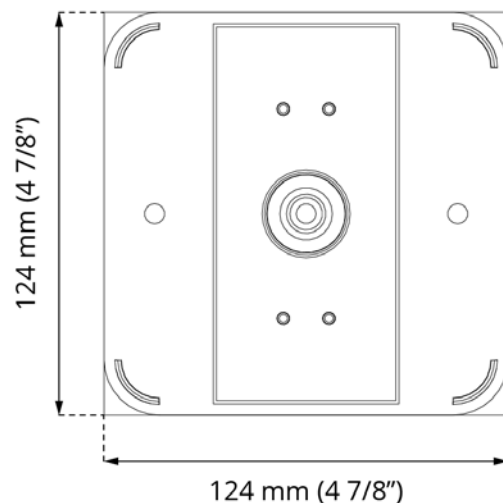
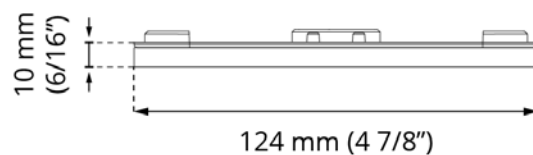
- For use with the RAPTOR series.
- Provides insulation and surface protection.
- Height of 10 mm (6/16").
- Serves as a soundproofing function.

DESCRIPTION

Placed under the pedestal, it provides protection for insulation and surfaces sensitive to damage. Thanks to the material it is made of - rubber granulate, it also serves as a soundproofing and cushioning function. It increases the height of the pedestal by 10 mm (6/16").

PARAMETERS

Dimensions	124 x 124 x 10 mm 4 7/8" x 4 7/8" x 6/16"
Additional height	10 mm 6/16"
Weight	0,085 kg 0.187 lbs
Operating temperature	-20°C; +65°C -4°F; +149°F
Color	Black
Material	Certified plastic PP Rubber

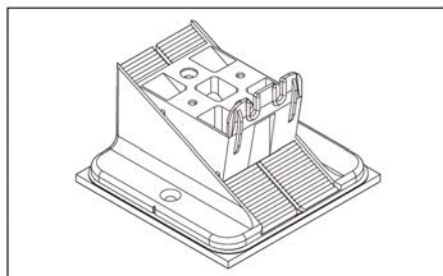


APPLICATION

- Terrace with decking.

EXAMPLE OF USAGE

RAPTOR series



USAGE

The pad is placed on the surface under the pedestal. Thanks to the material it is made of, it provides surface protection, acoustic comfort, and terrace cushioning.

DATA LOGISTICS

Product	Type	Size	Quantity	Weight brutto
PA	Carton box	30 x 25 x 20 cm (11 4/5" x 9 5/6" x 7 7/8")	50 pcs.	4,7 kg (10.36 lbs)
	Pallet	120 x 100 x 220 cm (47 1/4" x 39 1/2" x 86")	4 000 pcs.	396 kg (873.03 lbs)

EXAMPLE OF APPLICATION

