

TECHNICAL DATA SHEET

P30

Height coupler 30 mm (1 1/5")

BASIC INFORMATION

Product name	Height coupler 30 mm (1 1/5")
Trade name	P30
Product group	Accessories
Application	Terrace with decking
Code	10907
Compatibility	RAPTOR series



FEATURES

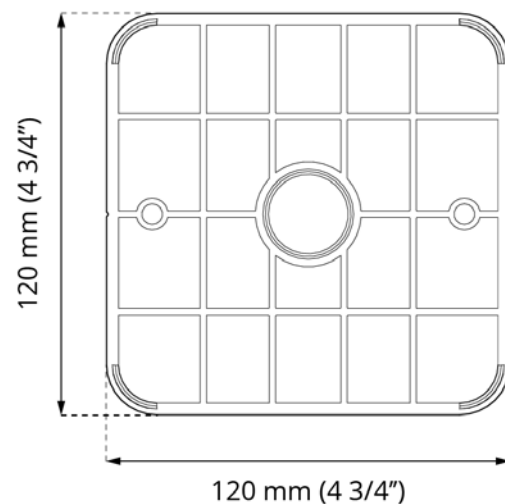
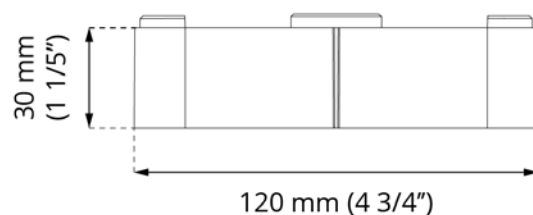
- For use with the RAPTOR series.
- Increases the height of the pedestal by 30 mm (1 1/5").

DESCRIPTION

The height coupler is used to increase the height range of RAPTOR pedestals by 30 mm (1 1/5").

PARAMETERS

Dimensions	120 x 120 x 30 mm 4 3/4" x 4 3/4" x 1 1/5"
Additional height	30 mm 1 1/5"
Weight	0,077 kg 0.17 lbs
Operating temperature	-20°C; +65°C -4°F; +149°F
Color	Black
Material	Certified plastic PP

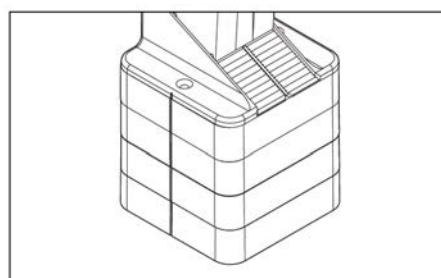
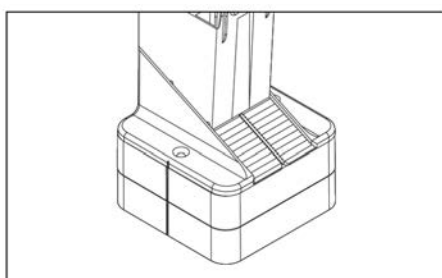
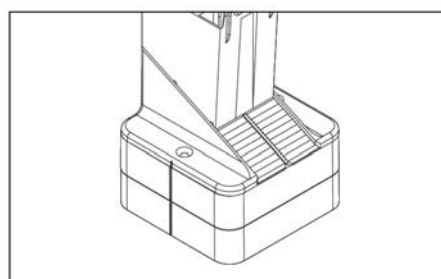
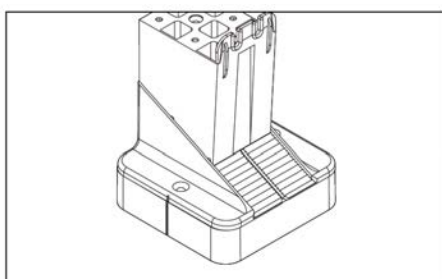


APPLICATION

- Terrace with decking.

EXAMPLE OF USAGE

RAPTOR series



USAGE

The height coupler is placed under the bottom of the pedestal (its base), which increases its height. A maximum of 4 spacer pads can be used.

DATA LOGISTICS

Product	Type	Size	Quantity	Weight brutto
P30	Carton box	30 x 25 x 20 cm (11 4/5" x 9 5/6" x 7 7/8")	100 pcs.	8,5 kg (18.74 lbs)
	Pallet	120 x 100 x 220 cm (47 1/4" x 39 1/2" x 86")	4 000 pcs.	360 kg (793.66 lbs)

EXAMPLE OF APPLICATION

