

# TECHNICAL DATA SHEET

## MPK

Key from the top

---

### BASIC INFORMATION

<b>Product name</b>	Key from the top
<b>Trade name</b>	MPK
<b>Product group</b>	Accessories
<b>Application</b>	Terrace with tiles
<b>Code</b>	10744
<b>Compatibility</b>	MAX series with LE MAX

### FEATURES

- Used for adjusting small heights on a finished terrace.
- Possibility of using only with MAX series pedestals with MAX LE self-leveling head.
- Used after laying the tiles on the terrace already.

### DESCRIPTION

The key for adjusting small heights is used to change the height of the pedestal on a finished terrace by adjusting it 'from above'. The use of the key allows for the adjustment of small heights of the pedestal without the need to dismantle the tiles. It can be used for terraces built on the MAX series with a self-leveling head.

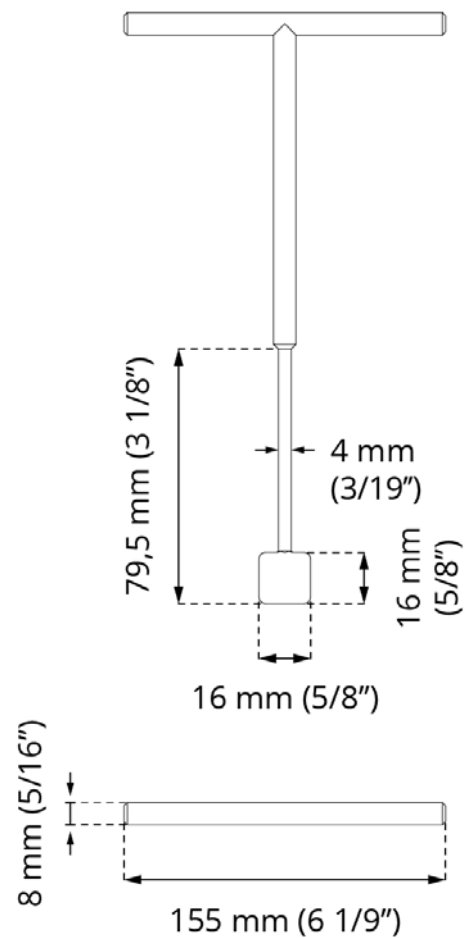


## PARAMETERS

<b>Dimensions</b>	155 x 121 x 8 mm 6 1/9" x 4 3/4" x 5/16"
<b>Weight</b>	0,58 kg 0.128 lbs
<b>Operating temperature</b>	-20°C; +65°C -4°F; +149°F
<b>Color</b>	Metal
<b>Material</b>	Metal

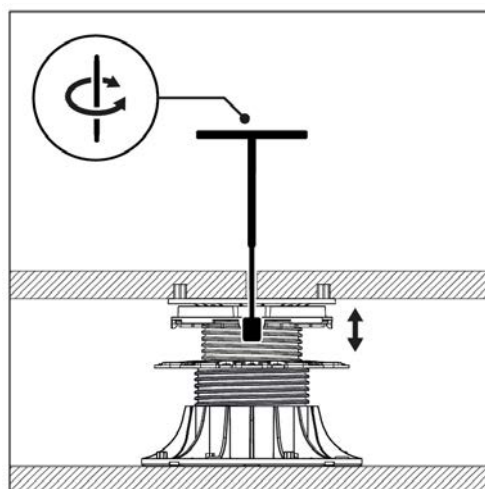
## APPLICATION

- Terrace with tiles.



## EXAMPLE OF USAGE

### MAX series



## USAGE

The key fits in the 3 mm (1/8") gaps between the tiles. It allows for leveling out any unevenness and elevations of tiles caused by a slight difference in the height of the pedestals.

## DATA LOGISTICS

Product	Type	Size	Quantity	Weight brutto
MPK	Carton box	-	1 pcs.	0,058 kg (0.128 lbs)

## EXAMPLE OF APPLICATION

