

# TECHNICAL DATA SHEET

## MAX SC

Base slope corrector SC

---

### BASIC INFORMATION

<b>Product name</b>	Base slope corrector SC
<b>Trade name</b>	MAX SC
<b>Product group</b>	Accessories
<b>Application</b>	Terrace with tiles Terrace with decking
<b>Code</b>	10681
<b>Compatibility</b>	MAX series



### FEATURES

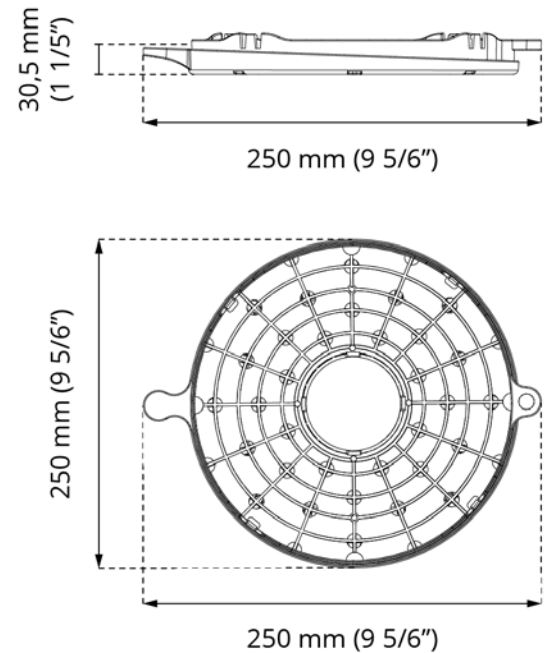
- Manual adjustment of the slope from 0 to 8%.
- Height of 30.5 mm (1 1/5").
- To be placed under the pedestal.
- For use with MAX pedestals.

### DESCRIPTION

An element that allows the use of MAX series pedestals on surfaces with significant incline/slope. The manual range for correcting surface incline is from 0 to 8%. It increases the height of the pedestal by 30.5 mm (1 1/5").

## PARAMETERS

<b>Dimensions</b>	250 x 250 x 30,5 mm 9 5/6" x 9 5/6" x 1 1/5"
<b>Additional height</b>	30,5 mm 1 1/5"
<b>Slope levelling</b>	0 - 8%
<b>Weight</b>	0,264 kg 0.582 lbs
<b>Operating temperature</b>	-20°C; +65°C -4°F; +149°F
<b>Color</b>	Black
<b>Material</b>	Certified plastic PP



## APPLICATION

- Terrace with tiles.
- Terrace with decking.

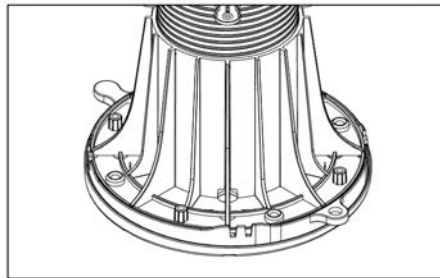
## CERTIFICATION

Up to date certificates and test reports available on demand:

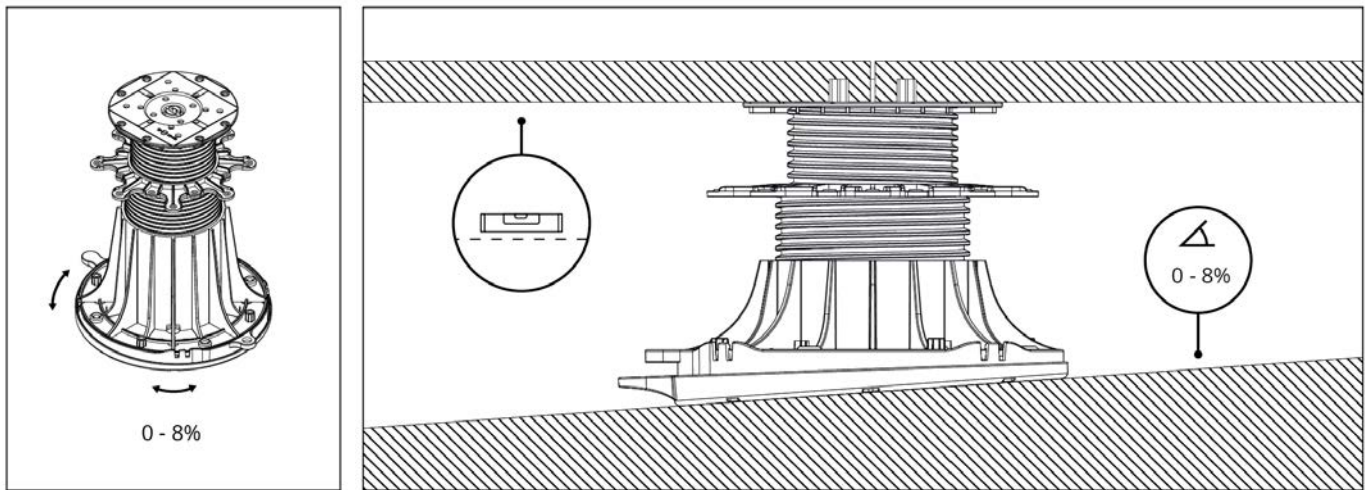
1. Characteristic pedestal vertical load test.
2. Decrease of pedestal load bearing induced by laboratory UV light source exposure.
3. Decrease of pedestal load bearing capacity induced by thermal shock.
4. Decrease of pedestal load bearing capacity induced by salt water impact.
5. Decrease of pedestal load bearing capacity induced by temperature decrease -20°C / -4°F (24h).
6. Decrease of pedestal load bearing capacity induced by temperature increase to 65°C / +149°F (24h).
7. Characteristic value of deformation increase per unit of force induced by creep during 1000 hour test.
8. Reaction to fire classification, class.

## EXAMPLE OF USAGE

### MAX series



## SLOPE LEVELLING



## USAGE

The corrector should be positioned under the pedestal, and its inclination should be manually adjusted from 0 to 8%. By using it together with the self-leveling head MAX LE, it is possible to eliminate surface slope of up to 14%.

## DATA LOGISTICS

Product	Type	Size	Quantity	Weight brutto
MAX SC	Carton box	60 x 50 x 40 cm (23 2/3" x 19 2/3" x 15 3/4")	72 pcs.	20,48 kg (45.15 lbs)
	Pallet	120 x 100 x 220 cm (47 1/4" x 39 1/2" x 86")	1 440 pcs.	430 kg (947.99 lbs)

## EXAMPLE OF APPLICATION

