

# TECHNICAL DATA SHEET

## MAX LE

Self leveling head LE MAX

---

### BASIC INFORMATION

<b>Product name</b>	Self leveling head LE MAX
<b>Trade name</b>	MAX LE
<b>Product group</b>	Accessories
<b>Application</b>	Terrace with tiles
<b>Code</b>	10680
<b>Compatibility</b>	SPIRAL series MAX series



### FEATURES

- Self-regulation of the slope from 0 to 6%.
- Height of 20 mm (3/4").
- Placed on a pedestal.
- For use on MAX pedestal.

### DESCRIPTION

It is used for self-leveling the terrace under the weight of the tiles on slopes with an inclination from 0 to 6%. It increases the height of the pedestal by 20 mm (3/4").

## PARAMETERS

<b>Dimensions</b>	157 x 157 x 20 mm 6 1/5" x 6 1/5" x 3/4"
<b>Additional height</b>	20 mm 3/4"
<b>Slope levelling</b>	0 - 6%
<b>Width of the built-in tile gap</b>	3 mm 1/8"
<b>Weight</b>	0,187 kg 0.412 lbs
<b>Operating temperature</b>	-20°C; +65°C -4°F; +149°F
<b>Color</b>	Black
<b>Material</b>	Certified plastic PP

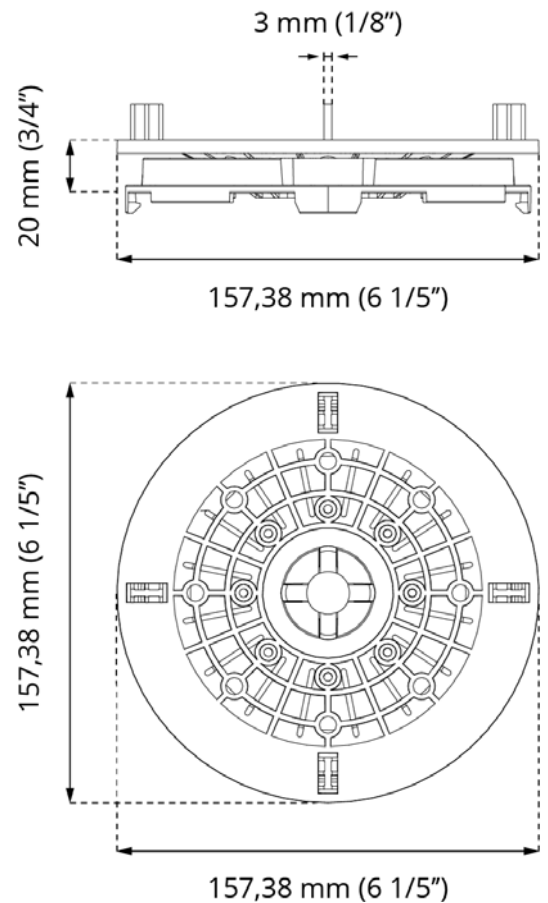
## APPLICATION

- Terrace with tiles.

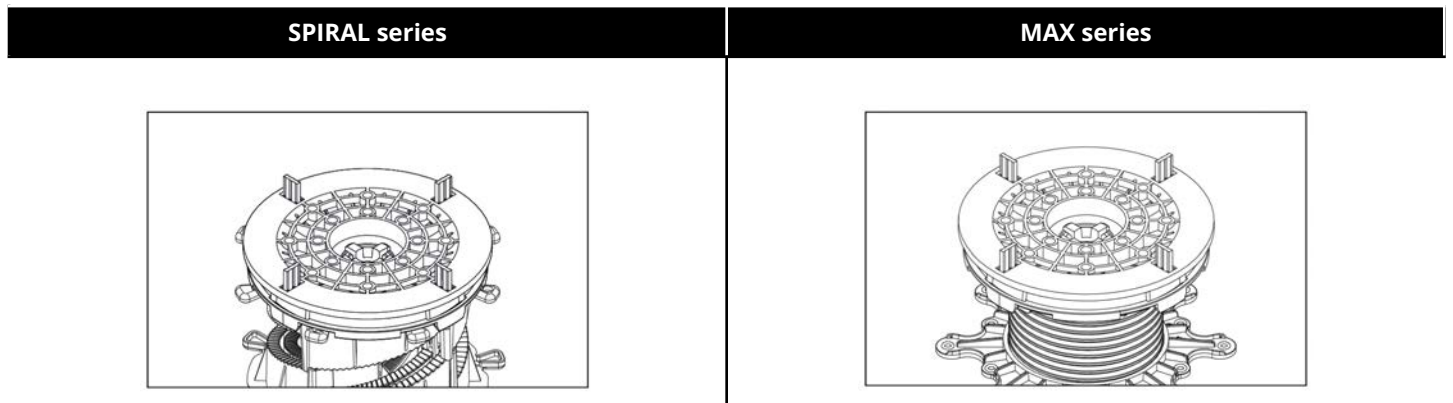
## CERTIFICATION

Up to date certificates and test reports available on demand:

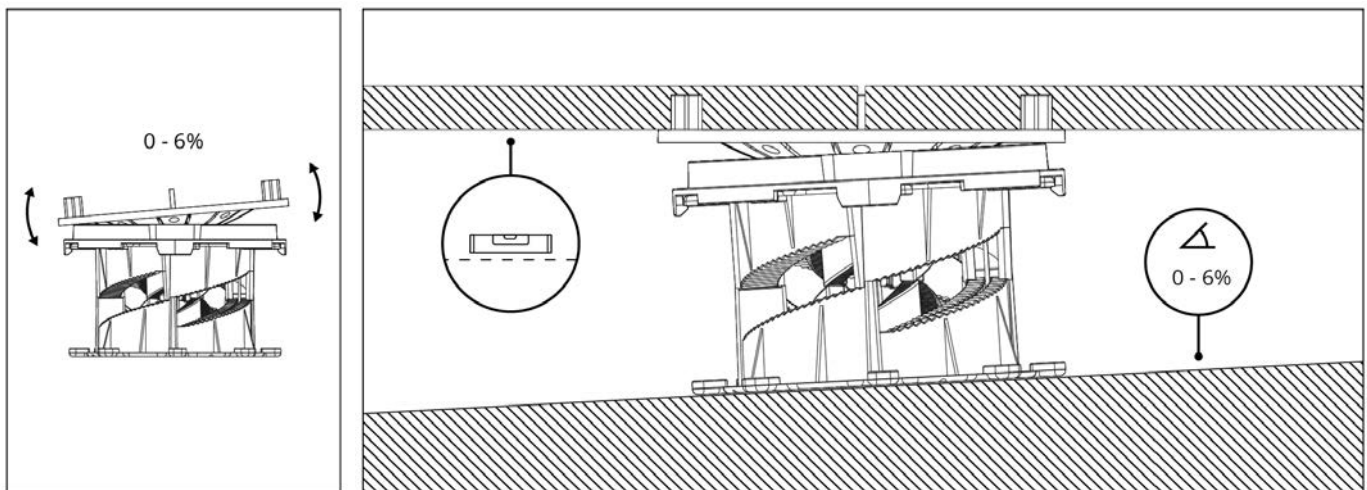
1. Characteristic pedestal vertical load test.
2. Decrease of pedestal load bearing induced by laboratory UV light source exposure.
3. Decrease of pedestal load bearing capacity induced by thermal shock.
4. Decrease of pedestal load bearing capacity induced by salt water impact.
5. Decrease of pedestal load bearing capacity induced by temperature decrease -20°C / -4°F (24h).
6. Decrease of pedestal load bearing capacity induced by temperature increase to 65°C / +149°F (24h).
7. Characteristic value of deformation increase per unit of force induced by creep during 1000 hour test.
8. Reaction to fire classification, class.



## EXAMPLE OF USAGE



## SELF LEVELLING



## USAGE

The head automatically levels itself by placing tiles on it, regardless of the slope of the surface on which it stands. It is used with pedestals from the SPIRAL and MAX series. Gap spacer discs (D3, D5) and spacers (L3, L5) can be mounted on it.

## DATA LOGISTICS

Product	Type	Size	Quantity	Weight brutto
MAX LE	Carton box	30 x 50 x 20 cm (11 4/5" x 19 2/3" x 7 7/8")	100 pcs.	20,18 kg (44.49 lbs)
	Pallet	120 x 100 x 220 cm (47 1/4" x 39 1/2" x 86")	2 000 pcs.	424 kg (934.76 lbs)

## EXAMPLE OF APPLICATION

