

TECHNICAL DATA SHEET

LE

Self leveling head LE

BASIC INFORMATION

Product name	Self leveling head LE
Trade name	LE
Product group	Accessories
Application	Terrace with tiles
Code	10170
Compatibility	STANDARD series



FEATURES

- Self-regulation of the slope from 0 to 7%.
- Height of 16 mm (5/8").
- Placed on a pedestal.
- For use on STANDARD pedestal.

DESCRIPTION

It is used for self-leveling the terrace under the weight of the tiles on slopes with an inclination from 0 to 7%. It increases the height of the pedestal by 16 mm (5/8").

PARAMETERS

Dimensions	110 x 110 x 16 mm 4 1/3" x 4 1/3" x 5/8"
Additional height	16 mm 5/8"
Slope levelling	0 - 7%
Weight	0,085 kg 0.187 lbs
Operating temperature	-20°C; +65°C -4°F; +149°F
Color	Black
Material	Certified plastic PP

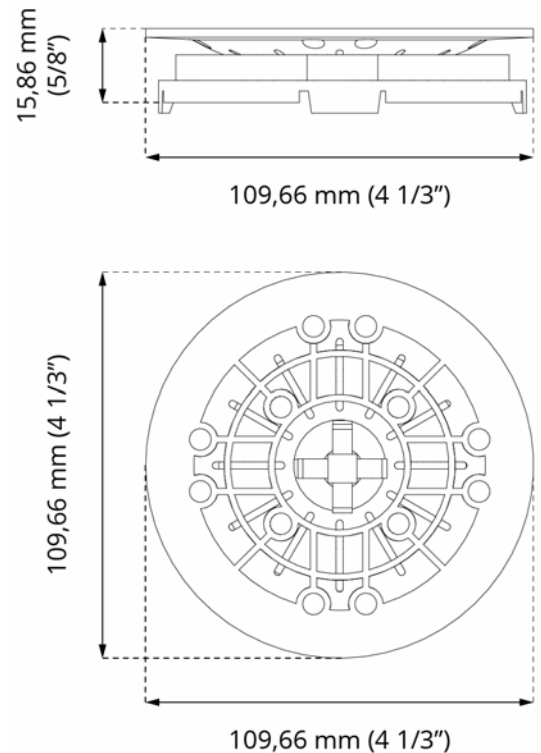
APPLICATION

- Terrace with tiles.

CERTIFICATION

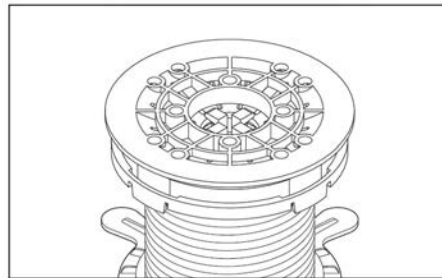
Up to date certificates and test reports available on demand:

1. Characteristic pedestal vertical load test.
2. Decrease of pedestal load bearing induced by laboratory UV light source exposure.
3. Decrease of pedestal load bearing capacity induced by thermal shock.
4. Decrease of pedestal load bearing capacity induced by salt water impact.
5. Decrease of pedestal load bearing capacity induced by temperature decrease -20°C / -4°F (24h).
6. Decrease of pedestal load bearing capacity induced by temperature increase to 65°C / +149°F (24h).
7. Characteristic value of deformation increase per unit of force induced by creep during 1000 hour test.
8. Reaction to fire classification, class.

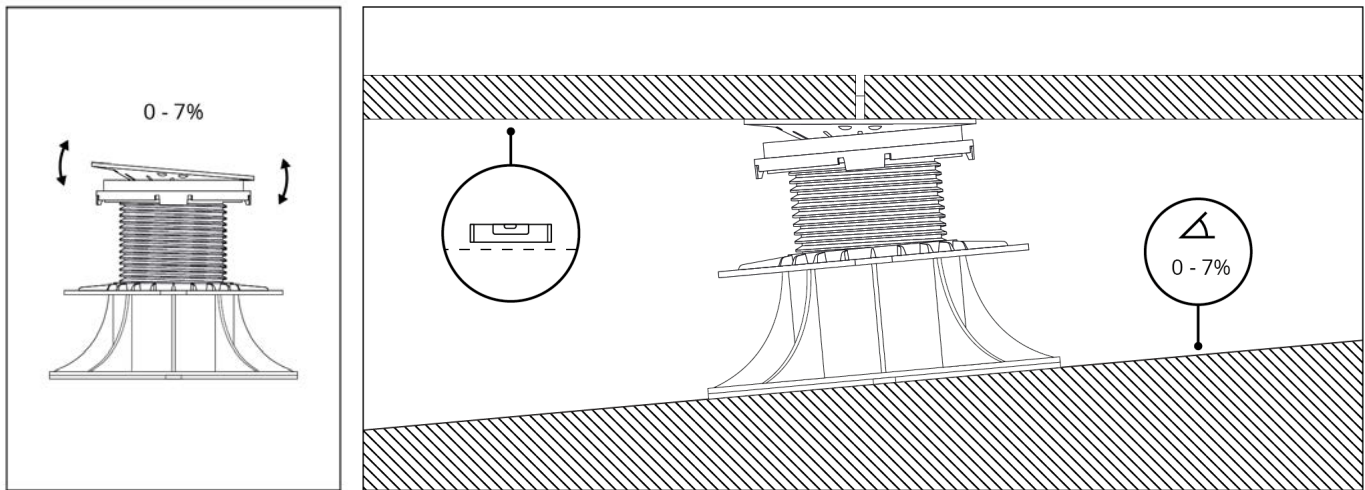


EXAMPLE OF USAGE

STANDARD series



SELF LEVELLING



USAGE

The head automatically levels itself by placing tiles on it, regardless of the slope of the surface on which it stands. Used with STANDARD pedestals

DATA LOGISTICS

Product	Type	Size	Quantity	Weight brutto
LE	Carton box	30 x 50 x 20 cm (11 4/5" x 19 2/3" x 7 7/8")	250 pcs.	22,73 kg (50.11 lbs)
	Pallet	120 x 100 x 220 cm (47 1/4" x 39 1/2" x 86")	5 000 pcs.	475 kg (1 047.2 lbs)

EXAMPLE OF APPLICATION

