

# TECHNICAL DATA SHEET

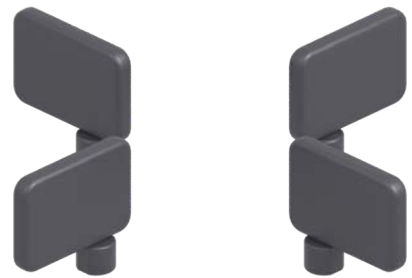
## L3

Gap spacer 3 mm (1/8")

---

### BASIC INFORMATION

<b>Product name</b>	Gap spacer 3 mm (1/8")
<b>Trade name</b>	L3
<b>Product group</b>	Accessories
<b>Application</b>	Terrace with tiles
<b>Code</b>	10167
<b>Compatibility</b>	SPIRAL series STANDARD series MAX series



### FEATURES

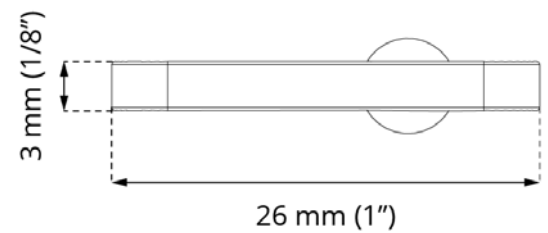
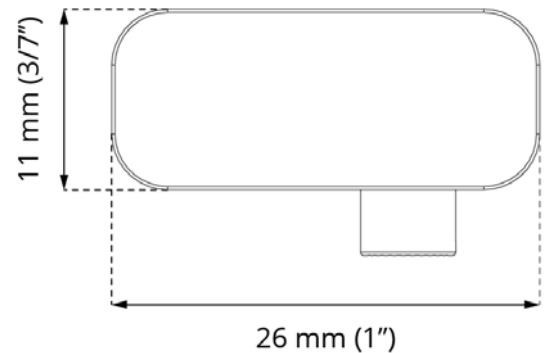
- Provide equal gaps between the tiles.
- For use with the SPIRAL, STANDARD and MAX series.

### DESCRIPTION

Gap spacers are used to determine an equal, 3 mm (1/8") expansion gap between the tiles, pavers or slabs. They prevent the tiles from shifting.

## PARAMETERS

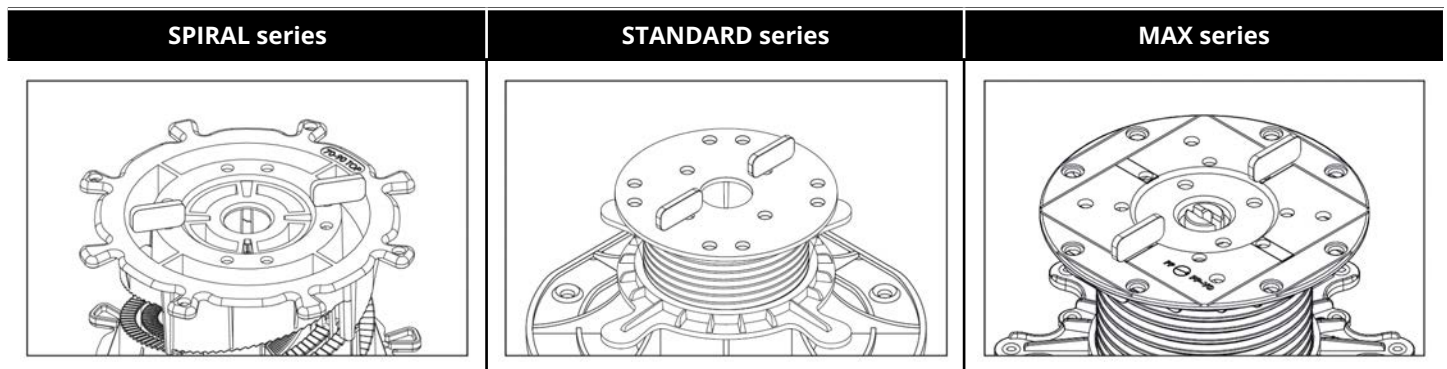
<b>Dimensions</b>	26 x 3 x 11 mm 1" x 1/8" x 3/7"
<b>Tile gap</b>	3 mm 1/8"
<b>Weight</b>	0,0012 kg 0.0026 lbs
<b>Operating temperature</b>	-20°C; +65°C -4°F; +149°F
<b>Color</b>	Black
<b>Material</b>	Certified plastic PP



## APPLICATION

- Terrace with tiles.

## EXAMPLE OF USAGE



## USAGE

Mounted on the head/cap of the support or pedestal, they provide equal gaps between the tiles. They can be used in the series of SUPPORT PADS, SPIRALS, STANDARD, and MAX.

## DATA LOGISTICS

Product	Type	Size	Quantity	Weight brutto
L3	Carton box	30 x 50 x 20 cm (11 4/5" x 19 2/3" x 7 7/8")	12 000 pcs.	14,85 kg (32.74 lbs)
	Pallet	120 x 100 x 220 cm (47 1/4" x 39 1/2" x 86")	960 000 pcs.	1 208 kg (2 663.18 lbs)

## EXAMPLE OF APPLICATION

