

TECHNICAL DATA SHEET

K5

Cross spacer 5 mm (3/16")

BASIC INFORMATION

Product name	Cross spacer 5 mm (3/16")
Trade name	K5
Product group	Accessories
Application	Terrace with tiles
Code	10801
Compatibility	STANDARD series



FEATURES

- Provide equal gaps between the tiles.
- For use with the standard series.

DESCRIPTION

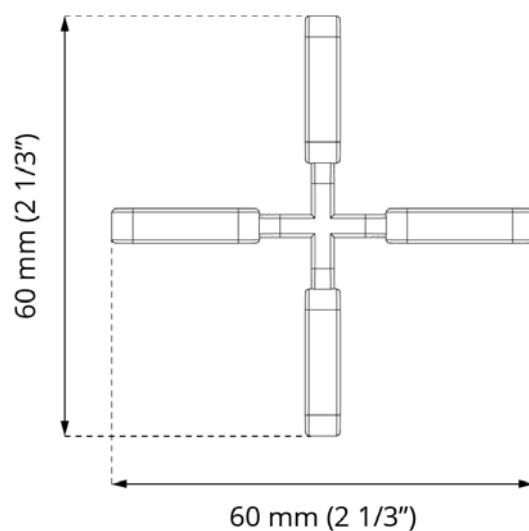
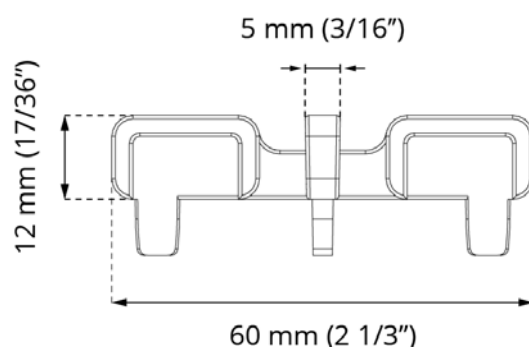
They are used for standard determination of a mounting gap (dilation) with a width of 5 mm (3/16"). They prevent the tiles from shifting.

PARAMETERS

Dimensions	60 x 60 x 12 mm 2 1/3" x 2 1/3" x 17/36"
Tile gap	5 mm 3/16"
Weight	0,0065 kg 0.0143 lbs
Operating temperature	-20°C; +65°C -4°F; +149°F
Color	Black
Material	Certified plastic PP

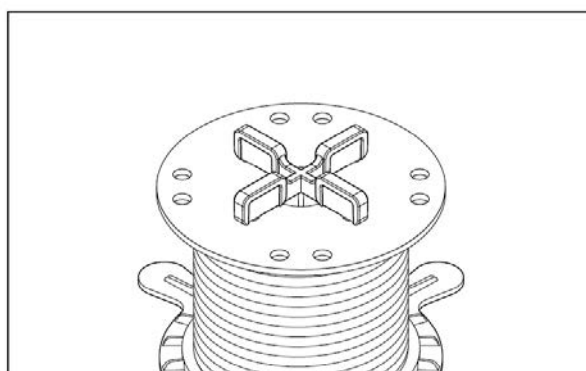
APPLICATION

- Terrace with tiles.



EXAMPLE OF USAGE

Seria STANDARD



USAGE

Mounted on the head/cap of the pedestal, they ensure even gaps between the tiles. They can be used with the STANDARD series.

DATA LOGISTICS

Product	Type	Size	Quantity	Weight brutto
K5	Carton box	30 x 50 x 20 cm (11 4/5" x 19 2/3" x 7 7/8")	1 500 pcs.	10,2 kg (22.49 lbs)
	Pallet	120 x 100 x 220 cm (47 1/4" x 39 1/2" x 86")	120 000 pcs.	836 kg (1 843.06 lbs)

EXAMPLE OF APPLICATION

