

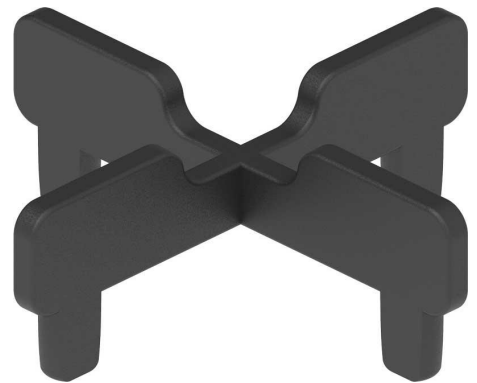
TECHNICAL DATA SHEET

K3

Cross spacer 3 mm (1/8")

BASIC INFORMATION

Product name	Cross spacer 3 mm (1/8")
Trade name	K3
Product group	Accessories
Application	Terrace with tiles
Code	10800
Compatibility	STANDARD series



FEATURES

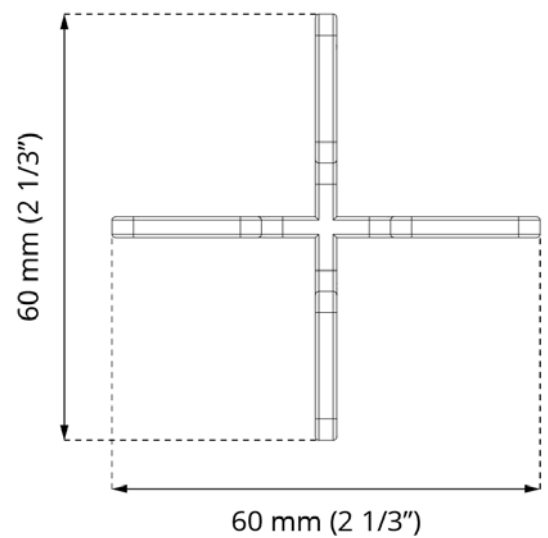
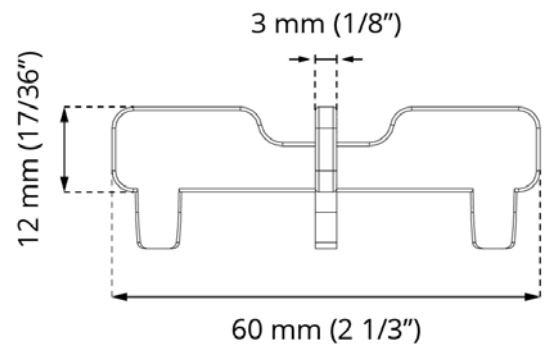
- Provide equal gaps between the tiles.
- For use with the STANDARD series.

DESCRIPTION

They are used to determine a 3 mm (1/8") wide expansions (dilatation) gap between tiles, pavers or slabs. They prevent the tiles from shifting.

PARAMETERS

Dimensions	60 x 60 x 12 mm 2 1/3" x 2 1/3" x 17/36"
Tile gap	3 mm 1/8"
Weight	0,0048 kg 0.0106 lbs
Operating temperature	-20°C; +65°C -4°F; +149°F
Color	Black
Material	Certified plastic PP

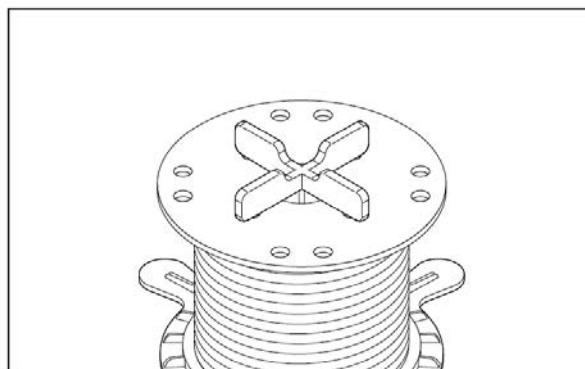


APPLICATION

- Terrace with tiles.

EXAMPLE OF USAGE

STANDARD series



USAGE

Mounted on the head/cap of the pedestal, they ensure even gaps between the tiles. They can be used with the STANDARD series.

DATA LOGISTICS

Product	Type	Size	Quantity	Weight brutto
K3	Carton box	30 x 50 x 20 cm (11 4/5" x 19 2/3" x 7 7/8")	3 000 pcs.	14,85 kg (32.79 lbs)
	Pallet	120 x 100 x 220 cm (47 1/4" x 39 1/2" x 86")	240 000 pcs.	1 208 kg (2 663.18 lbs)

EXAMPLE OF APPLICATION

