

TECHNICAL DATA SHEET

DS60

Height coupler 60 mm (2 1/3")

BASIC INFORMATION

Product name	Height coupler 60 mm (2 1/3")
Trade name	DS60
Product group	Accessories
Application	Terrace with tiles Terrace with decking
Code	104332
Compatibility	SPIRAL series



FEATURES

- For use with the SPIRAL series.
- Increases the height of the pedestals by 60 mm (2 1/3").

DESCRIPTION

The height coupler is used to increase the height range of SPIRAL pedestals by 60 mm (2 1/3").

PARAMETERS

Dimensions	150 x 150 x 60 mm 5 14/16" x 5 14/16" x 2 1/3"
Additional height	60 mm 2 1/3"
Weight	0,26 kg 0.573 lbs
Operating temperature	-20°C; +65°C -4°F; +149°F
Color	Black
Material	Certified plastic PP

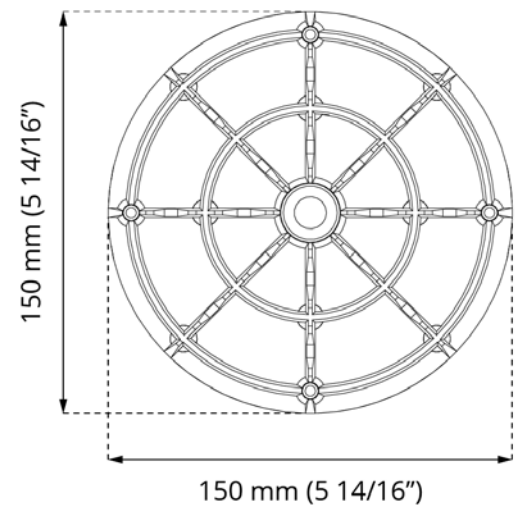
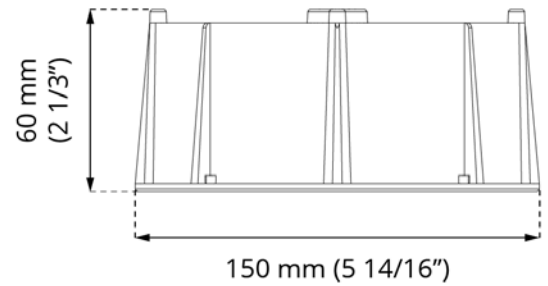
APPLICATION

- Terrace with tiles.
- Terrace with decking.

CERTIFICATION

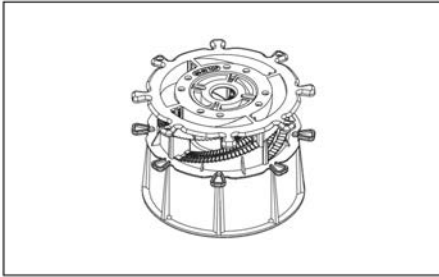
Up to date certificates and test reports available on demand:

1. Characteristic pedestal vertical load test.
2. Decrease of pedestal load bearing induced by laboratory UV light source exposure.
3. Decrease of pedestal load bearing capacity induced by thermal shock.
4. Decrease of pedestal load bearing capacity induced by salt water impact.
5. Decrease of pedestal load bearing capacity induced by temperature decrease -20°C / -4°F (24h).
6. Decrease of pedestal load bearing capacity induced by temperature increase to 65°C / +149°F (24h).
7. Characteristic value of deformation increase per unit of force induced by creep during 1000 hour test.
8. Reaction to fire classification, class.



EXAMPLE OF USAGE

SPIRAL series



USAGE

The height coupler is attached from the bottom of the pedestal, and the lower module is mounted on it, which increases its height by 60 mm (2 1/3").

DATA LOGISTICS

Product	Type	Size	Quantity	Weight brutto
DS60	Carton box	60 x 50 x 40 cm (23 2/3" x 19 2/3" x 15 3/4")	70 pcs.	19,68 kg (43.39 lbs)
	Pallet	120 x 100 x 220 cm (47 1/4" x 39 1/2" x 86")	1 400 pcs.	414 kg (912.71 lbs)

EXAMPLE OF APPLICATION

