

# TECHNICAL DATA SHEET

## DS200

Height coupler 200 mm (7 7/8")

---

### BASIC INFORMATION

<b>Product name</b>	Height coupler 200 mm (7 7/8")
<b>Trade name</b>	DS200
<b>Product group</b>	Accessories
<b>Application</b>	Terrace with tiles Terrace with decking
<b>Code</b>	10679
<b>Compatibility</b>	MAX series

### FEATURES

- For use with the MAX series.
- Increases the height of the pedestal by 200 mm (7 7/8").

### DESCRIPTION

The height coupler is used to increase the height range of MAX pedestals by 200 mm (7 7/8").



## DANE TECHNICZNE

<b>Dimensions</b>	144 x 144 x 200 mm 5 2/3" x 5 2/3" x 7 7/8"
<b>Additional height</b>	200 mm 7 7/8"
<b>Weight</b>	0,375 kg 0.827 lbs
<b>Operating temperature</b>	-20°C; +65°C -4°F; +149°F
<b>Color</b>	Black
<b>Material</b>	Certified plastic PP

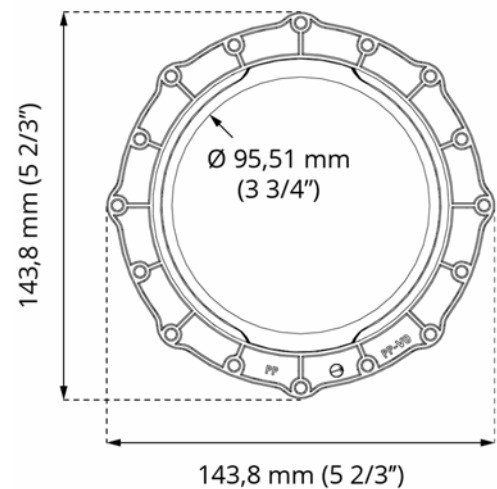
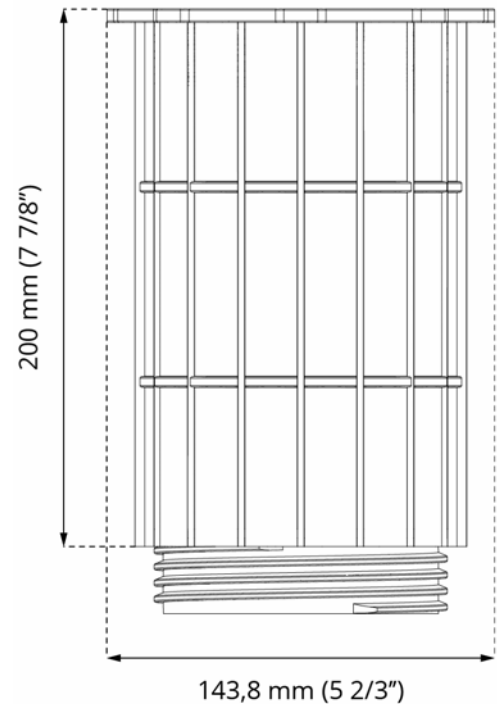
## APPLICATION

- Terrace with tiles.
- Terrace with decking.

## CERTIFICATION

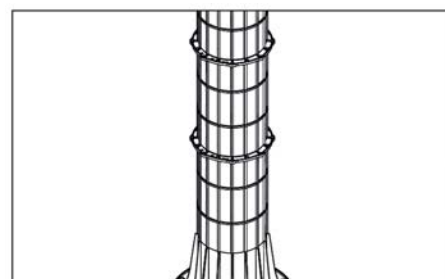
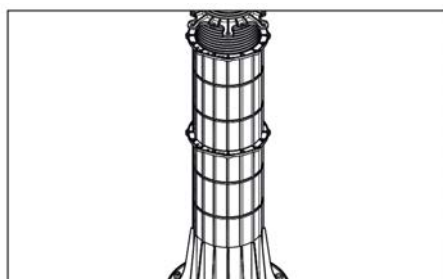
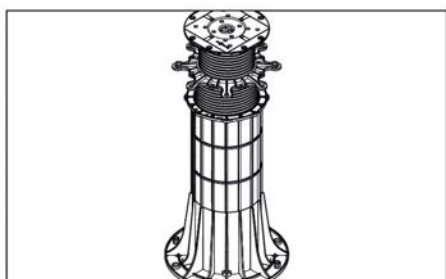
Up to date certificates and test reports available on demand:

1. Characteristic pedestal vertical load test.
2. Decrease of pedestal load bearing induced by laboratory UV light source exposure.
3. Decrease of pedestal load bearing capacity induced by thermal shock.
4. Decrease of pedestal load bearing capacity induced by salt water impact.
5. Decrease of pedestal load bearing capacity induced by temperature decrease -20°C / -4°F (24h).
6. Decrease of pedestal load bearing capacity induced by temperature increase to 65°C / +149°F (24h).
7. Characteristic value of deformation increase per unit of force induced by creep during 1000 hour test.
8. Reaction to fire classification, class.



## EXAMPLE OF USAGE

### MAX series



## USAGE

A height coupler is placed on the pedestal base, and a threaded spacer sleeve is mounted into it, thereby increasing its height by 200 mm (7 7/8").

## DATA LOGISTICS

Product	Type	Size	Quantity	Weight brutto
DS200	Carton box	60 x 50 x 40 cm (23 2/3" x 19 2/3" x 15 3/4")	30 pcs.	12,73 kg (28.06 lbs)
	Pallet	120 x 100 x 220 cm (47 1/4" x 39 1/2" x 86")	600 pcs.	275 kg (606.27 lbs)

## EXAMPLE OF APPLICATION

