

# TECHNICAL DATA SHEET

## DDR KN

Base slope corrector DDR KN

---

### BASIC INFORMATION

|                      |                             |
|----------------------|-----------------------------|
| <b>Product name</b>  | Base slope corrector DDR KN |
| <b>Trade name</b>    | DDR KN                      |
| <b>Product group</b> | Accessories                 |
| <b>Application</b>   | Terrace with decking        |
| <b>Code</b>          | 10908                       |
| <b>Compatibility</b> | RAPTOR series               |



### FEATURES

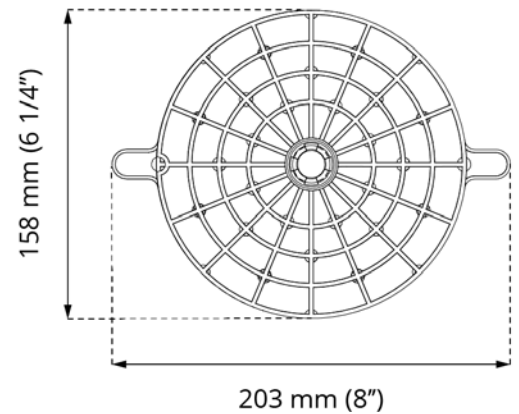
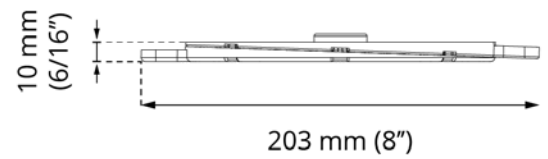
- For use with the RAPTOR pedestal series.
- Manual adjustment of slope from 0 to 7%.
- Height of 10 mm (6/16").
- For placement under the pedestal.

### DESCRIPTION

An element allowing the use of RAPTOR pedestal on surfaces with significant incline. The manual range for correcting surface incline is from 0 to 7%. It increases the height of the pedestal by 10 mm (6/16").

## PARAMETERS

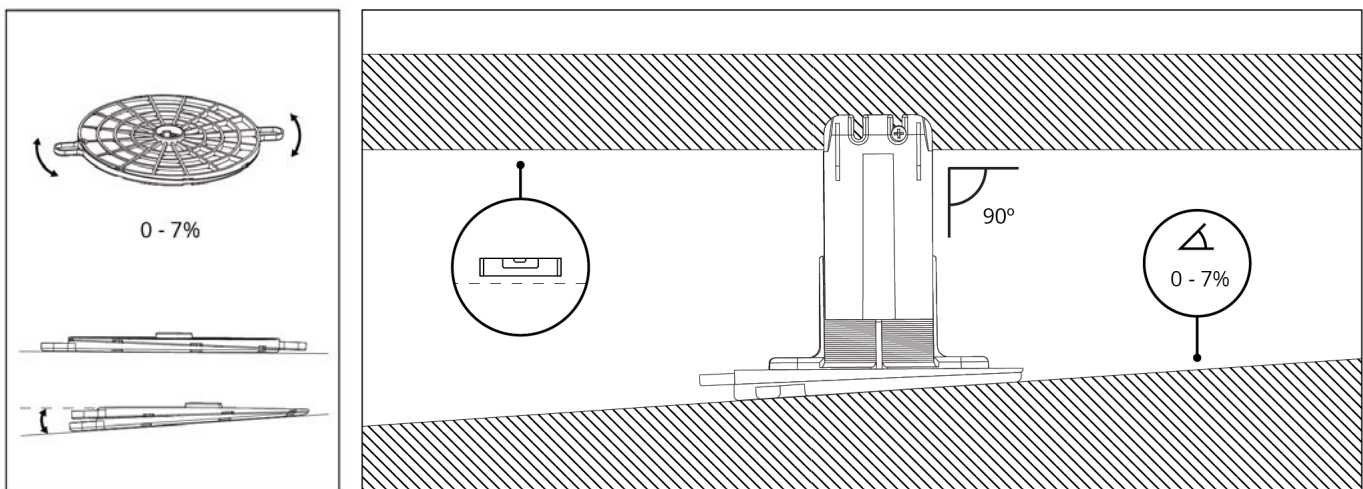
|                                 |  |
|---------------------------------|--|
| <b>Dimensions</b>               | 203 x 158 x 10 mm<br>8" x 6 1/4" x 6/16" |
| <b>Additional height</b>        | 10 mm<br>6/16"                           |
| <b>Reduction of inclination</b> | 0 - 7%                                   |
| <b>Weight</b>                   | 0,13 kg<br>0.287 lbs                     |
| <b>Operating temperature</b>    | -20°C; +65°C<br>-4°F; +149°F             |
| <b>Color</b>                    | Black                                    |
| <b>Material</b>                 | Certified plastic PP                     |



## APPLICATION

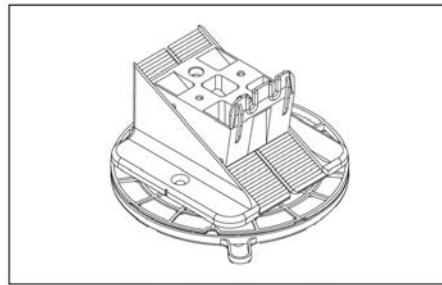
- Terrace with decking.

## LEVELING



## EXAMPLE OF USAGE

### RAPTOR series



## USAGE

The corrector is applied under the pedestal, its inclination should be manually adjusted from 0 to 7%.

## DATA LOGISTICS

| Product | Type       | Size  | Quantity   | Weight brutto            |
|---------|------------|---|------------|--------------------------|
| DDR KN  | Carton box | 30 x 50 x 20 cm<br>(11 4/5" x 19 2/3" x 7 7/8") | 50 pcs.    | 6,95 kg<br>(15.32 lbs)   |
|         | Pallet     | 120 x 100 x 220 cm<br>(47 1/4" x 39 1/2" x 86") | 4 000 pcs. | 576 kg<br>(1 269.86 lbs) |

## EXAMPLE OF APPLICATION

