

TECHNICAL DATA SHEET

DDP WAP

Up to wall clip

BASIC INFORMATION

Product name	Up to wall clip
Trade name	DDP WAP
Product group	Accessories
Application	Terrace with tiles
Code	104368
Compatibility	SPIRAL series STANDARD series MAX series CLEVER LEVEL series



FEATURES

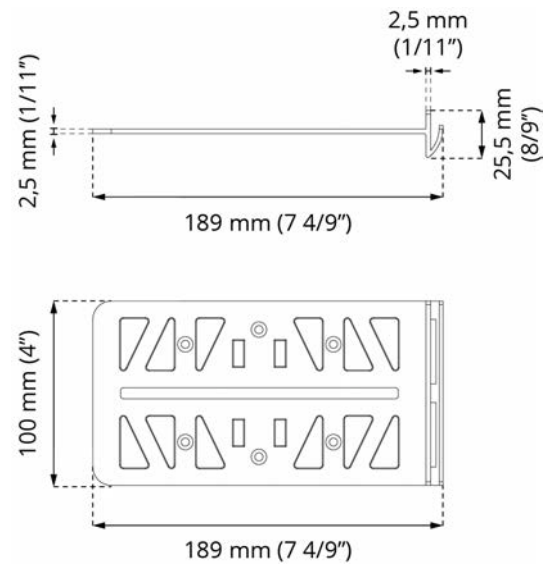
- Height 2.5 mm (1/11").
- Creates a gap between the tiles protecting building elements and tiles.
- For use on SPIRAL, STANDARD, MAX, CLEVER LEVEL pedestals.

DESCRIPTION

Expansion joint is placed on pedestal on vertical surfaces extending above the height of the terrace, for example, on a wall or a high curb. It prevents the movement of the tiles, ensures free flow of water, preventing the formation of unwanted moisture. The use of the clip allows for obtaining an even gap between the tiles and the wall, creating an expansion gap. It prevents the movement of the tiles located on the edge of the terrace near the wall.

PARAMETERS

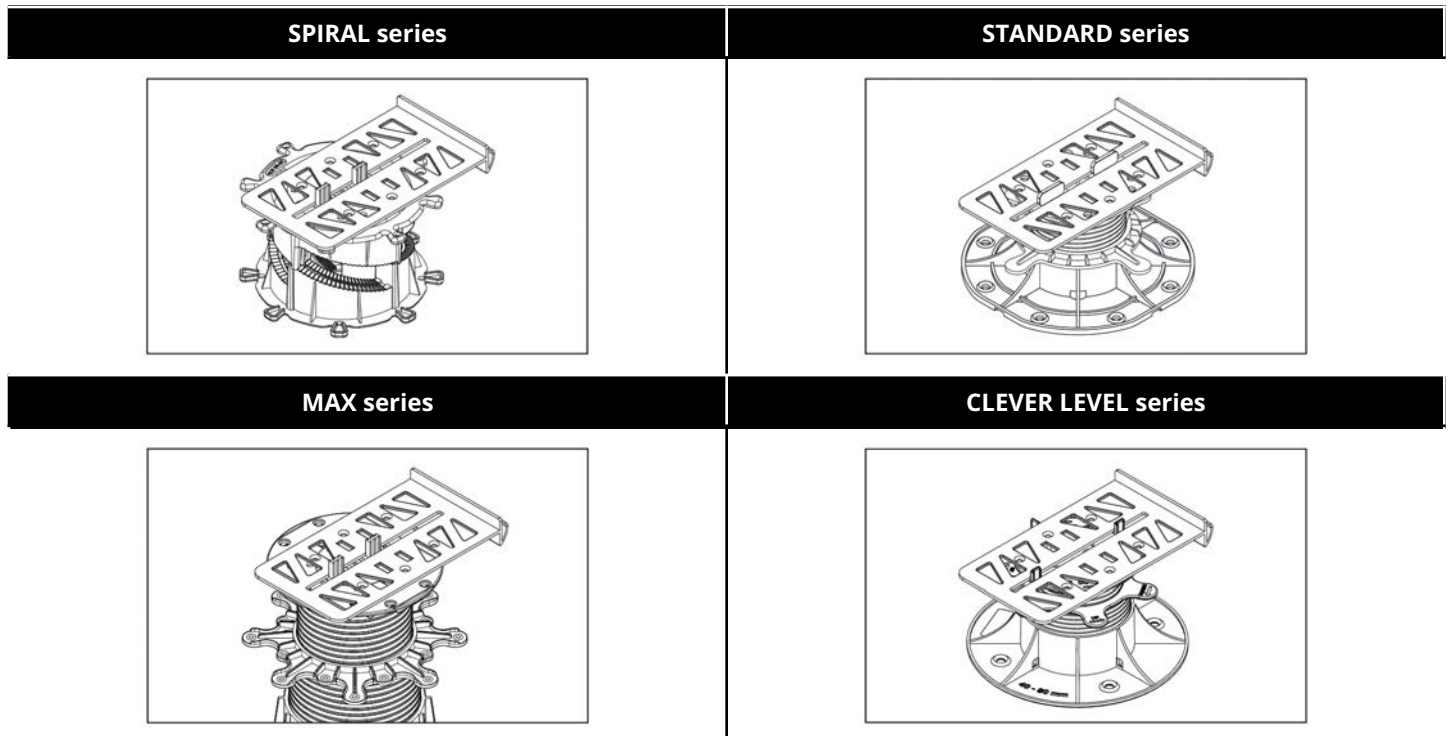
Dimensions	198 x 100 x 2,5 mm 7 4/9" x 4" x 1/11"
Additional height	2,5 mm 1/11"
Weight	0,048 kg 0.106 lbs
Operating temperature	-20°C; +65°C -4°F; +149°F
Color	Black
Material	Certified plastic PP



APPLICATION

- Terrace with tiles.

EXAMPLE OF USAGE



USAGE

The clip is placed on a pedestal, separating the tile from the wall or other vertical elements of the building.

DATA LOGISTICS

Product	Type	Size	Quantity	Weight brutto
DDP WAP	Carton box	30 x 50 x 20 cm (11 4/5" x 19 2/3" x 7 7/8")	125 pcs.	6,45 kg (14.22 lbs)
	Pallet	120 x 100 x 220 cm (47 1/4" x 39 1/2" x 86")	10 000 pcs.	536 kg (1 181.68 lbs)

EXAMPLE OF APPLICATION

