

TECHNICAL DATA SHEET

DDP CP

Side finishing closure tile DDP CP

PODSTAWOWE INFORMACJE

Product name	Side finishing closure tile DDP CP
Trade name	DDP CP
Product group	Accessories
Application	Terrace with tiles
Code	103741
Compatibility	SPIRAL series STANDARD series MAX series



FEATURES

- Used for creating vertical masks.
- Possibility of mounting with glue or hooks.
- Can be used both under and on a pedestal.
- Aesthetic finish.
- Compatible with SPIRAL, STANDARD, MAX pedestals.

DESCRIPTION

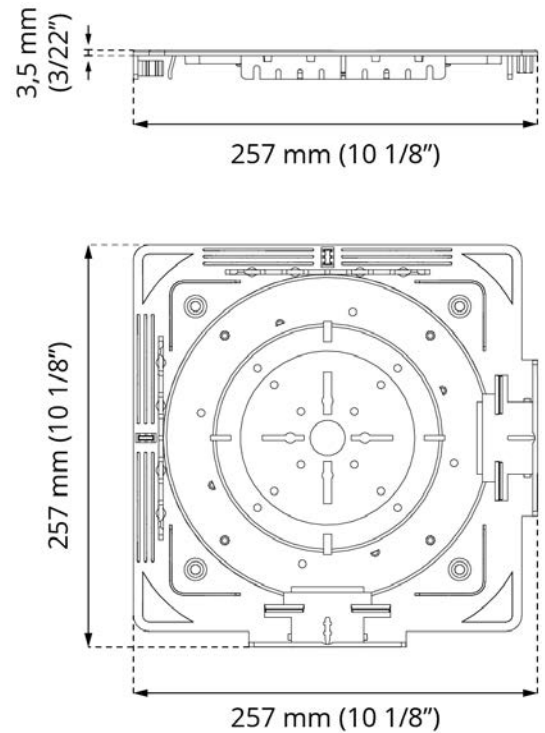
The side finishing closure tile is used to finish vertical endings of a raised deck terrace in places where a view of the internal structure of the terrace is undesirable, such as external terraces or stairs. It allows for the installation of properly prepared tiles on the sides of the terrace and secures the upper end tiles. With the side finishing closure tile, tiles with a thickness of 20-25 mm (3/4" - 1") can be used for hook connections or any thickness for adhesive connections. It increases the height of the pedestal by 7 mm (3/16").

PARAMETERS

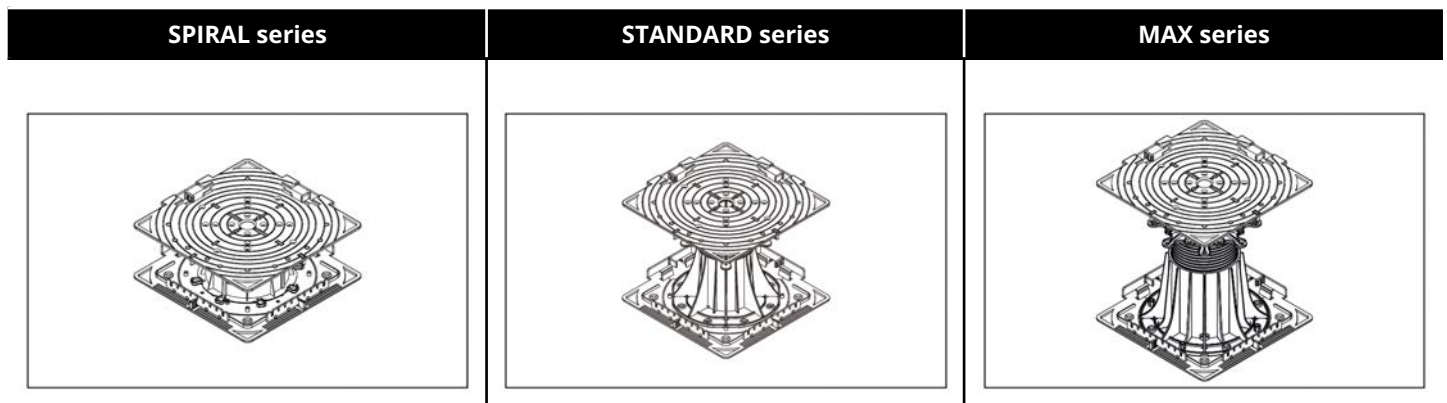
Dimensions	257 x 257 x 3,5 mm 10 1/8" x 10 1/8" x 3/22"
Additional height	7 mm (2x 3,5 mm) 3/11" (2x 3/22")
Weight	0,242 kg 0.533 lbs
Operating temperature	-20°C; +65°C -4°F; +149°F
Color	Black
Material	Certified plastic PP

APPLICATION

- Terrace with tiles.



EXAMPLE OF USAGE



USAGE

The tile can be used both on and under the pedestal from the SPIRAL, STANDARD, or MAX series. There is a possibility of mounting covers using glue or hooks. More information can be found in the abbreviated instruction.

DATA LOGISTICS

Product	Type	Size	Quantity	Weight brutto
DDP CP	Carton box	60 x 50 x 20 cm (23 2/3" x 19 2/3" x 7 7/8")	40 pcs.	10,48 kg (23.1 lbs)
	Pallet	120 x 100 x 220 cm (47 1/4" x 39 1/2" x 86")	1 600 pcs.	439 kg (967.83 lbs)

EXAMPLE OF APPLICATION

