

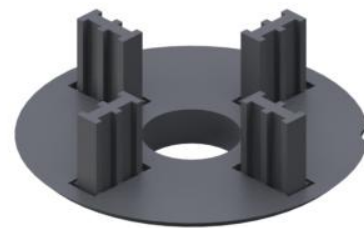
TECHNICAL DATA SHEET

D5

Gap spacer disk 5 mm (3/16")

BASIC INFORMATION

Product name	Gap spacer disk 5 mm (3/16")
Trade name	D5
Product group	Accessories
Application	Terrace with tiles
Code	10440
Compatibility	SPIRAL series MAX series



FEATURES

- Provide equal gaps between the tiles.
- For use with the SPIRAL and MAX series.

DESCRIPTION

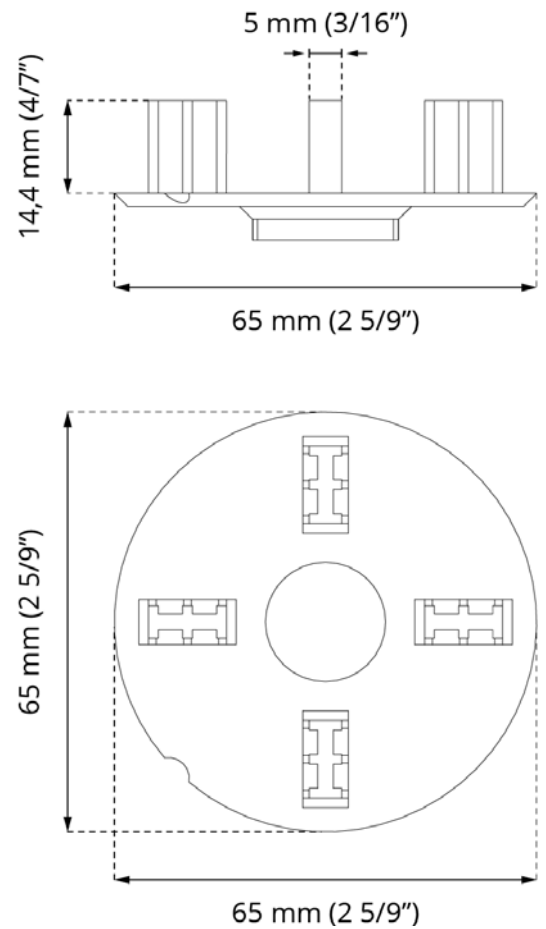
Gap spacer disk is used to determine a 5 mm (3/16") wide expansion gap between the tiles, pavers or slabs. It prevents the tiles from shifting.

PARAMETERS

Dimensions	65 x 65 x 14 mm 2 5/9" x 2 5/9" x 5/9"
Tile gap	5 mm 3/16"
Weight	0,0098 kg 0.0216 lbs
Operating temperature	-20°C; +65°C -4°F; +149°F
Color	Black
Material	Certified plastic PP

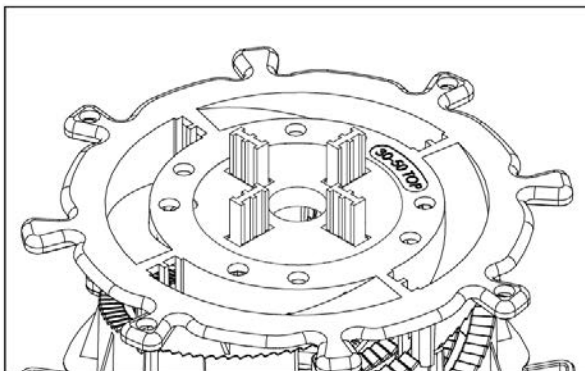
APPLICATION

- Terrace with tiles.

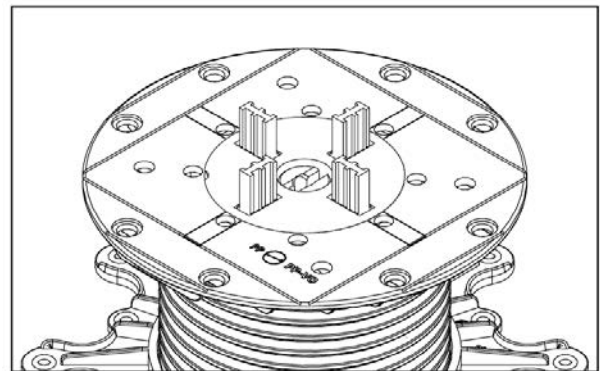


EXAMPLE OF USAGE

SPIRAL series



MAX series



USAGE

Mounted on the head/cap of the pedestals, they ensure even gaps between the tiles. They can be used in the SPIRAL and MAX series.

DATA LOGISTICS

Product	Type	Size	Quantity	Weight brutto
D5	Carton box	30 x 50 x 20 cm (11 4/5" x 19 2/3" x 7 7/8")	300 pcs.	3,39 kg (7.47 lbs)
	Pallet	120 x 100 x 220 cm (47 1/4" x 39 1/2" x 86")	30 000 pcs.	219 kg (482.81 lbs)

EXAMPLE OF APPLICATION

