

# TECHNICAL DATA SHEET

## D3

Gap spacer disk 3 mm (1/8")

---

### BASIC INFORMATION

<b>Product name</b>	Gap spacer disk 3 mm (1/8")
<b>Trade name</b>	D3
<b>Product group</b>	Accessories
<b>Application</b>	Terrace with tiles
<b>Code</b>	10441
<b>Compatibility</b>	SPIRAL series MAX series



### FEATURES

- Provide equal gaps between the tiles.
- For use with the SPIRAL and MAX series.

### DESCRIPTION

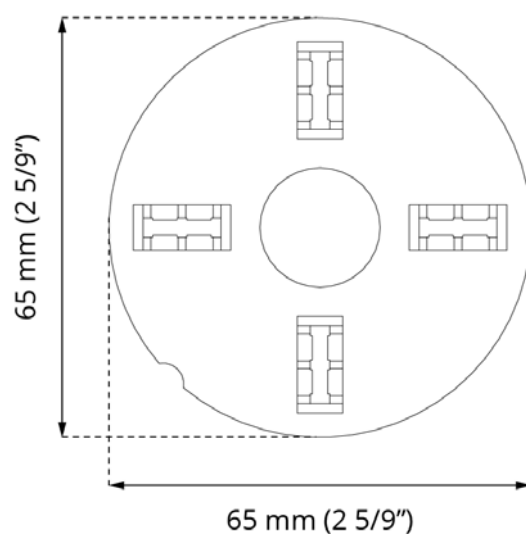
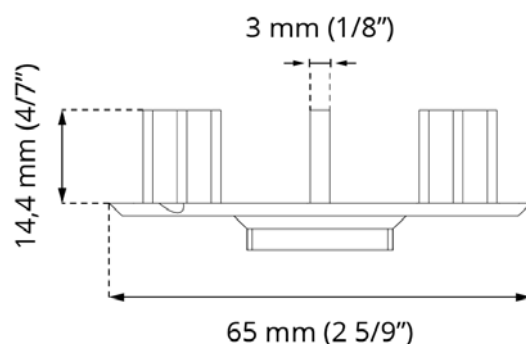
Gap spacer disk is used to determine a 3 mm (1/8") wide expansion gap between the tiles, pavers or slabs. It prevents the tiles from shifting.

## PARAMETERS

<b>Dimensions</b>	65 x 65 x 14 mm 2 5/9" x 2 5/9" x 5/9"
<b>Tile gap</b>	3 mm 1/8"
<b>Weight</b>	0,0091 kg 0.0201 lbs
<b>Operating temperature</b>	-20°C; +65°C -4°F; +149°F
<b>Color</b>	Black
<b>Material</b>	Certified plastic PP

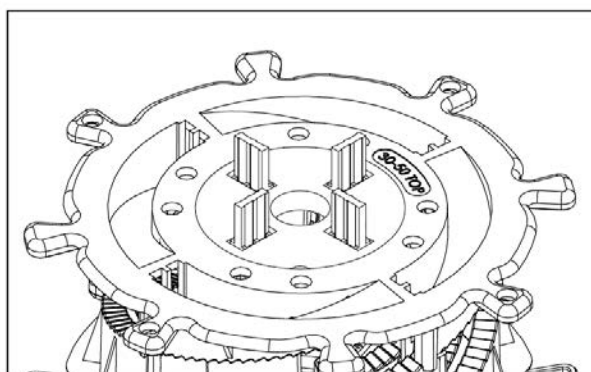
## APPLICATION

- Terrace with tiles.

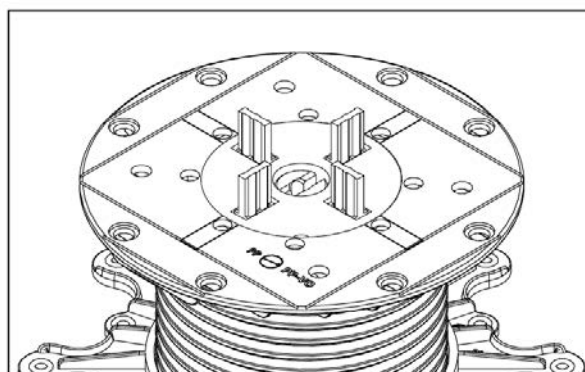


## EXAMPLE OF USAGE

**SPIRAL series**



**MAX series**



## USAGE

Mounted on the head/cap of the pedestals, they ensure even gaps between the tiles. They can be used in the SPIRAL and MAX series.

## DATA LOGISTICS

Product	Type	Size	Quantity	Weight brutto
D3	Carton box	30 x 50 x 20 cm (11 4/5" x 19 2/3" x 7 7/8")	300 pcs.	3,18 kg (7.01 lbs)
	Pallet	120 x 100 x 220 cm (47 1/4" x 39 1/2" x 86")	30 000 pcs.	274 kg (604.07 lbs)

## EXAMPLE OF APPLICATION

