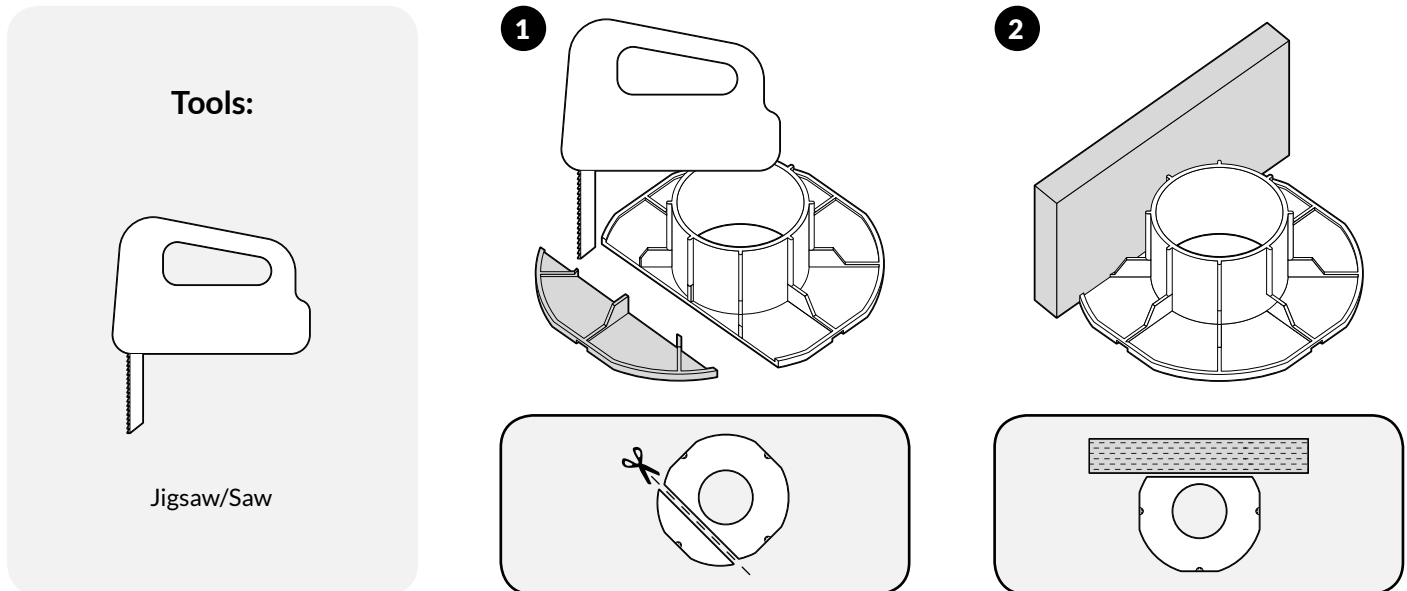


CUTTING PEDESTALS BASE

▼ Adjusting pedestal base geometry - along the wall

In case of pedestal must be placed next to wall its base must be cut. Cut demanded geometry with jigsaw or saw. Please note that sharp edge after cutting must be protected with SBR granulate rubber pad.



▼ Adjusting pedestal base geometry - corner

Pedestal base geometry must be cut if pedestal must be placed in terrace corner. Please note that sharp edge after cutting must be protected with SBR granulate rubber pad.

