

SIDE FINISHING CLOSURE PLATE

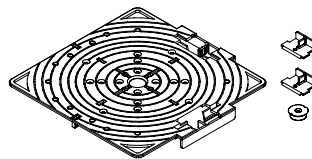
for SPIRAL, STANDARD and MAX Series

QUICK START MANUAL



Detailed information available
in full instruction manual:

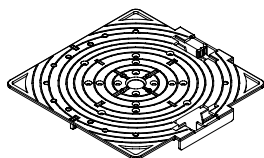
www.ddgro.eu



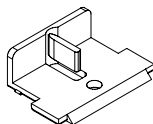
Side finishing closure plate
Short name: DDP CP
Code: 103741

ELEMENTS:

SET CONTAINS:



Side finishing closure plate
- closure plate

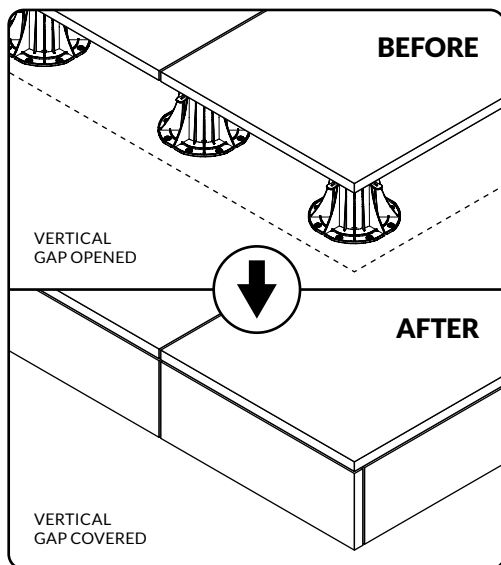


Upper clip
- for clip installation



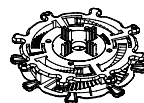
Plug
- for SPIRAL Series connection

FOR VERTICAL CLOSURES AND CORNERS:

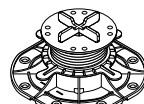


COMPATIBLE TO USE WITH:

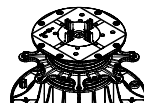
These product
fits to SPIRAL,
STANDARD, MAX
Series.



SPIRAL

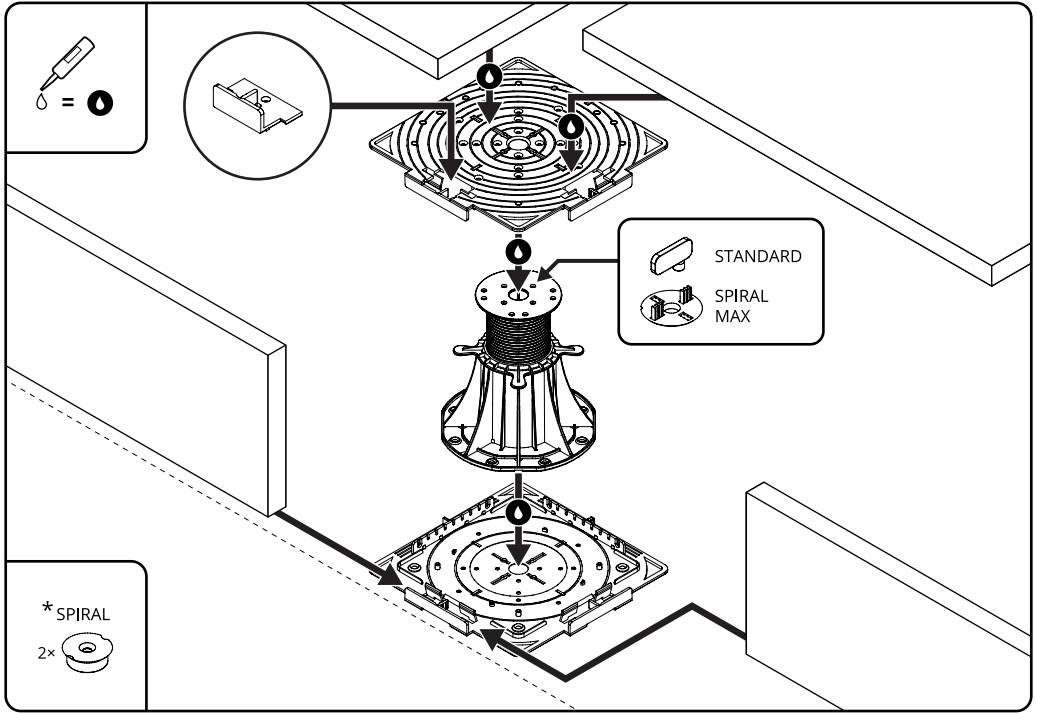


STANDARD

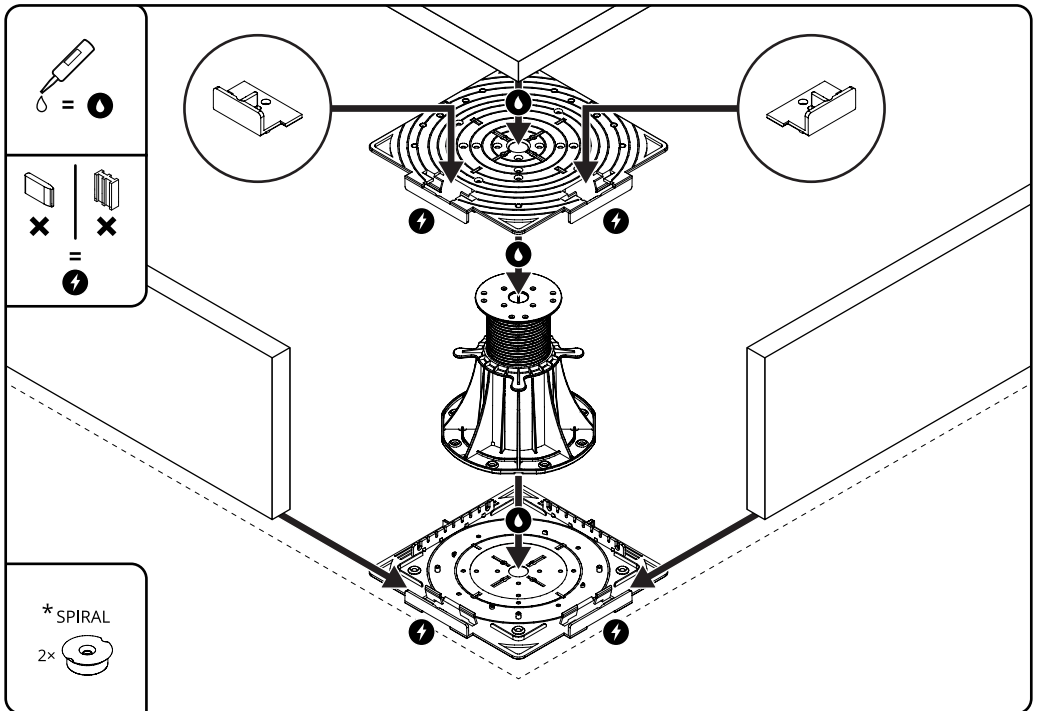


MAX

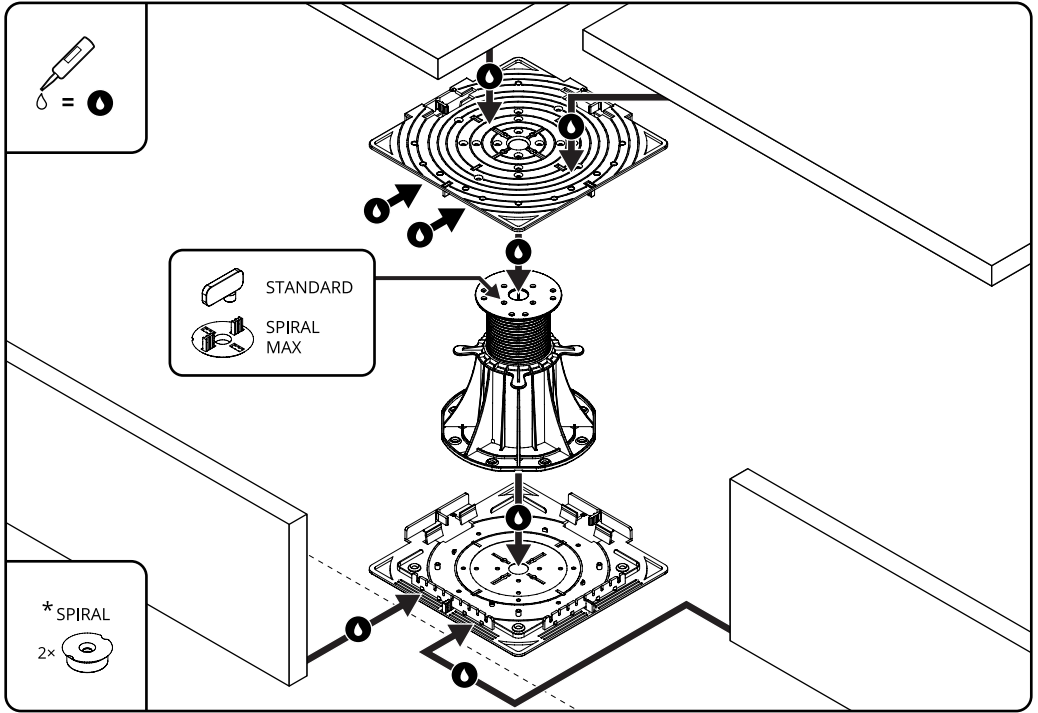
1A. CLIP INSTALLATION - SIDE



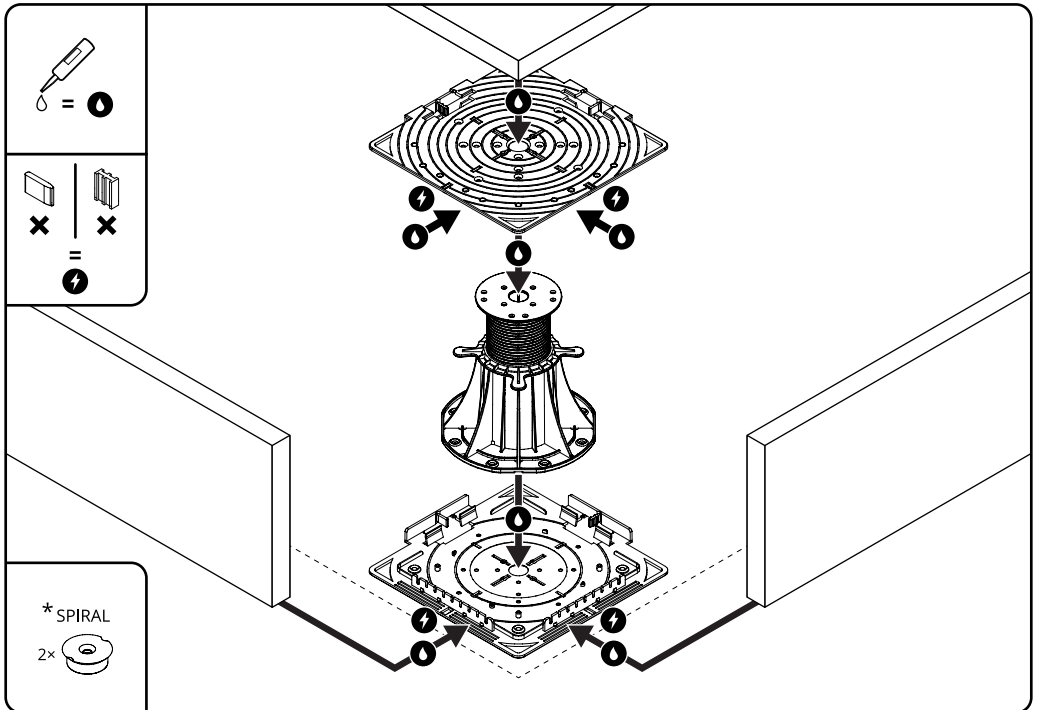
1B. CLIP INSTALLATION - CORNER



2A. GLUE / ADHESIVE INSTALLATION - SIDE

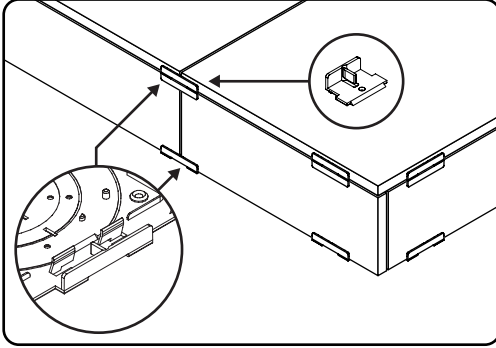


2B. GLUE / ADHESIVE INSTALLATION - CORNER



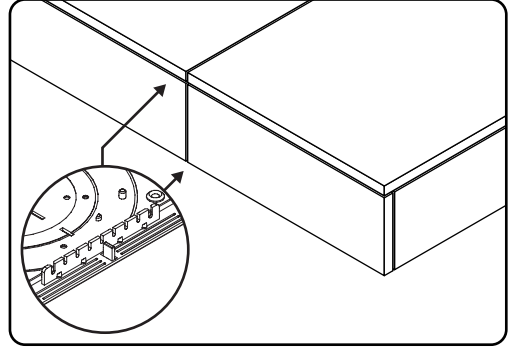
1. CLIP INSTALLATION

Clip installation - permanent fixing with visible black color clips. Use closure plate with clips side and upper clip.



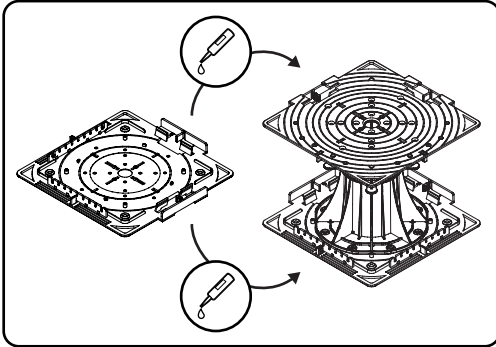
2. GLUE / ADHESIVE INSTALLATION

Glue / Adhesive installation - fast solution without visible clips on the exterior part. Use closure plate with glue side part.



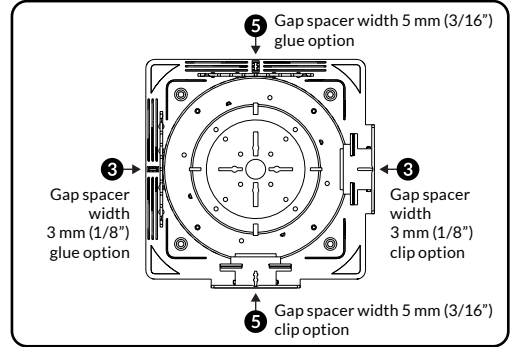
ON THE TOP AND BOTTOM

Side finishing closure plate is placed on the pedestal top and bottom. Each connection of the closure plate and terrace tiles we recommend to use glue / adhesive.



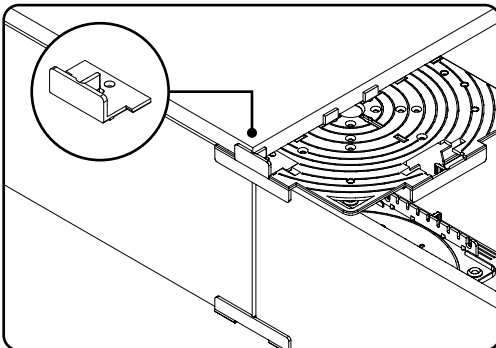
GAP SPACE 3 / 5 MM (1/8" / 3/16")

Gap space between tiles can have a 3 / 5 mm (1/8" / 3/16") width depend on closure plate side used.



UPPER CLIP

Upper clip is used when clip installation is chosen. Insert clip into to top part of closure plate. Clip prevent sliding last tile.



PLUG

Plug is used to connect side finishing closure plate with SPIRAL pedestals. It is used on the top and bottom of the pedestal.

