

## PRODUCT DATA SHEET

<b>PRODUCT NAME:</b>	CROSS JOINT FOR TILES 2 MM
<b>TRADE NAME:</b>	DDP 002
<b>CODE:</b>	10534 black, 10535 transparent, 10549 rubber
<b>PRODUCT GROUP:</b>	SUPPORT PADS
<b>HS CODE:</b>	39259080

## TECHNICAL DATA

<b>HEIGHT:</b>	<b>2 MM</b>
<b>WEIGHT [kg]</b>	0.021
<b>SIZE [mm]</b>	Ø 100 MM
<b>COLOR</b>	BLACK/RUBBER/TRANSPARENT
<b>MATERIAL</b>	PP / SAN
<b>COMPRESSION RESISTANCE:</b>	--



### PROPERTIES:

- 2 mm height
- distance between pavers 3 or 5 mm
- colors black, transparent
- cutting into halves along to wall possible

### DESCRIPTION:

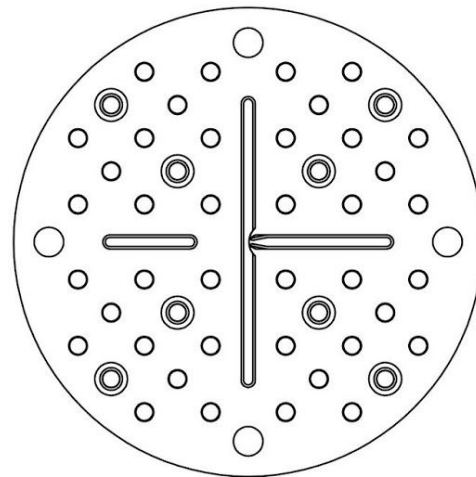
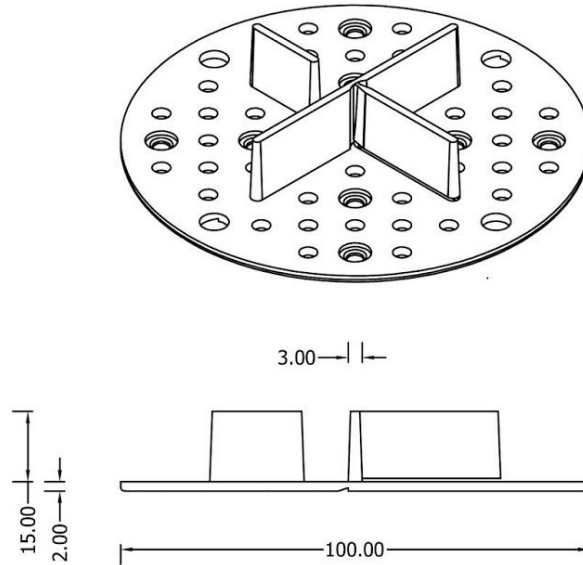
Replace unstable terrace slabs with a stable and level surface installed on dry ground. The design of pedestal pavers increases the stability of the terrace. To ensure even better stabilization of slabs, the pavers may be fixed to the ground using special metal pins. This will protect the terrace against sagging or displacing individual decks and unaesthetic look of the entire structure. Screen reader support enabled.<sup>2</sup>

<sup>1,2</sup> - (detailed information in Technical Specification)

## DATA LOGISTIC

CARTON BOX				PALLET			
SIZE [CM.]	QUANTITY [PCS.]	WEIGHT NETTO [KG]	WEIGHT BRUTTO [KG]	SIZE [CM]	QUANTITY [PCS.]	WEIGHT NETTO [KG]	WEIGHT BRUTTO [KG]
60x50x20	350	7,35	8,18	120x100x220	14000	168	216

## MEASUREMENTS

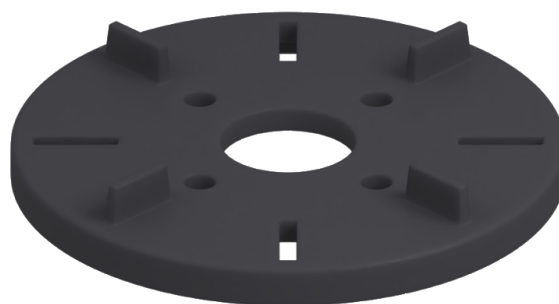


## PRODUCT DATA SHEET

<b>PRODUCT NAME:</b>	SUPPORT PAD RUBBER 8 MM
<b>TRADE NAME:</b>	DDP 008
<b>CODE:</b>	10018
<b>PRODUCT GROUP:</b>	SUPPORT PADS
<b>HS CODE:</b>	39259080

## TECHNICAL DATA

<b>HEIGHT:</b>	<b>8 MM</b>
<b>WEIGHT [kg]</b>	0,052
<b>SIZE [mm]</b>	Ø 105 MM
<b>COLOR</b>	BLACK
<b>MATERIAL</b>	PP/TPE
<b>COMPRESSION RESISTANCE:</b>	600 kg <sup>1</sup>



### PROPERTIES:

- stackable ( max. 3 layers ),
- gap between tiles - built in 3 MM,
- additional 5 MM, version
- V0 SELF-EXTINGUISHING available

### DESCRIPTION:

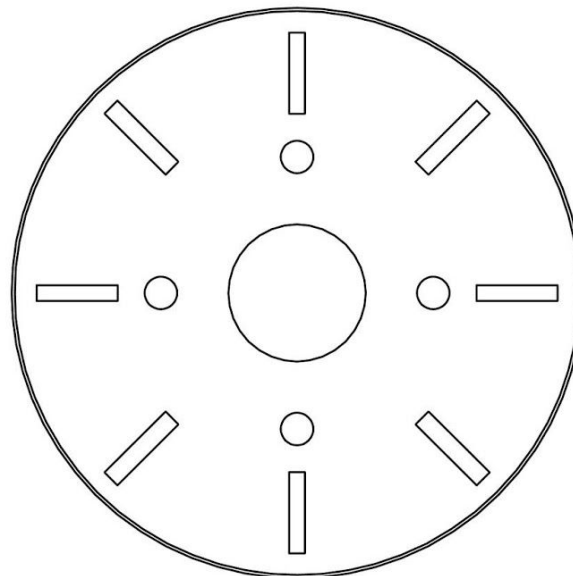
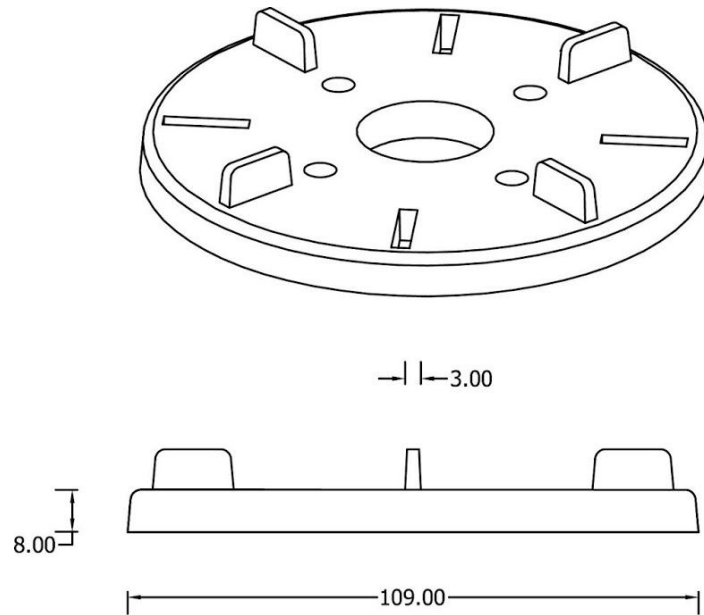
This rubber fixed support pads are made of elastic material what makes them very useful with ceramic and concrete tiles. Elastic structure makes terrace soundproof and sand grain not crack underneath when walking on the terrace. With 8 mm support pads ventilated terrace can be easily made what makes it much more durable and there is no need to glue anything to the top water isolation layer of the terrace. Built in gap spacers 3 mm makes small and nice gap between tiles. It is possible to mount 5 mm gap spacers on this support pad..<sup>2</sup>

<sup>1,2</sup> - (detailed information in Technical Specification)

## DATA LOGISTIC

CARTON BOX				PALLET			
SIZE [CM.]	QUANTITY [PCS.]	WEIGHT NETTO	WEIGHT BRUTTO	SIZE [CM]	QUANTITY [PCS.]	WEIGHT NETTO	WEIGHT BRUTTO
60X50X20	250	13	13,9	120X100X220	10'000	520	540

## MEASUREMENTS



## PRODUCT DATA SHEET

<b>PRODUCT NAME:</b>	SUPPORT PAD 10 MM
<b>TRADE NAME:</b>	DDP 010
<b>CODE:</b>	10019
<b>PRODUCT GROUP:</b>	SUPPORT PADS
<b>HS CODE:</b>	39259080

## TECHNICAL DATA

<b>HEIGHT:</b>	<b>10 MM</b>
<b>WEIGHT [kg]</b>	0.034
<b>SIZE [mm]</b>	Ø 140 MM
<b>COLOR</b>	BLACK
<b>MATERIAL</b>	PP
<b>COMPRESSION RESISTANCE:</b>	900 kg <sup>1</sup>



### PROPERTIES:

- stackable ( max. 3 layers ),
- gap between tiles - built in 3 MM,
- additional 5 MM, version
- V0 SELF-EXTINGUISHING available

### DESCRIPTION:

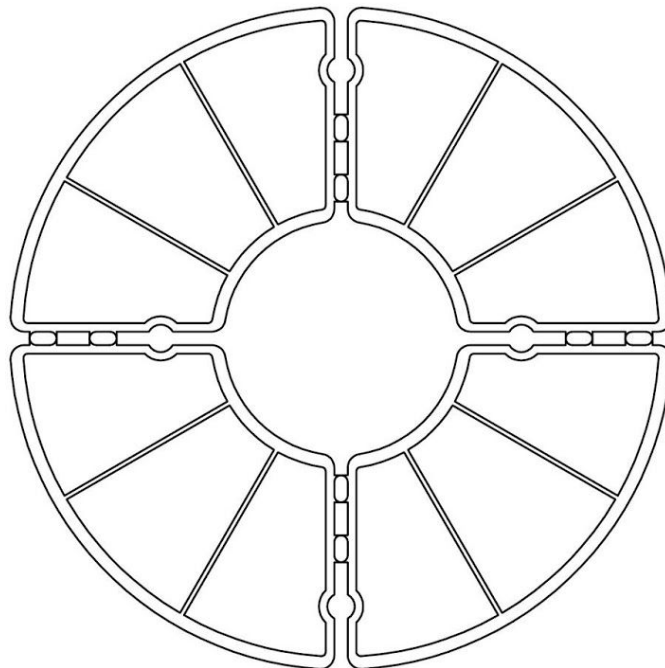
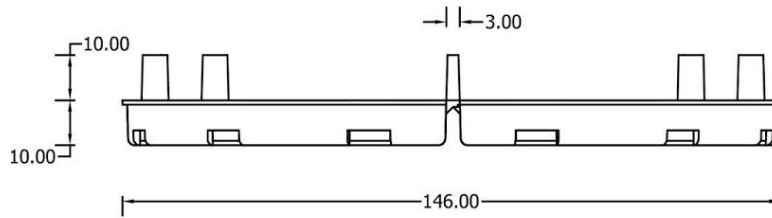
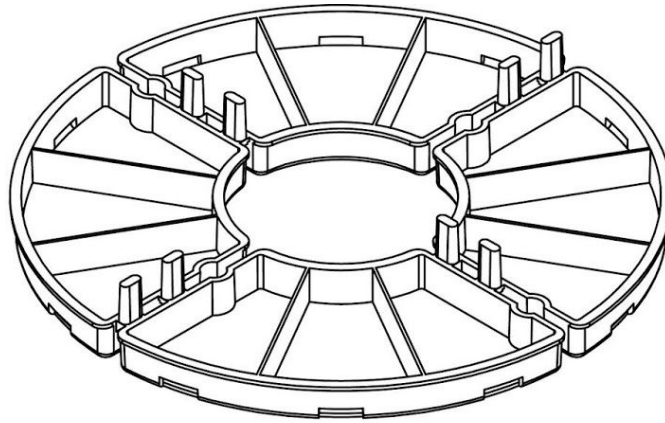
Fixed height modular support pads are designed with 4 integrated modules and allows You to easily split it in to halves to use along side of the terrace barrier limitation and quarter in the corner places. Very light but durable design with built in 3 mm lugs to make small and nice gap between tiles. Holes in the bottom part of the pads allows water goes out and not stuck inside what is important in case of it's freezing during winter season. There is possibility to stack pads one on top of the another and mix heights. This attribute allows easily reach demanded height.<sup>2</sup>

<sup>1,2</sup> - (detailed information in Technical Specification)

## DATA LOGISTIC

CARTON BOX				PALLET			
SIZE [CM.]	QUANTITY [PCS.]	WEIGHT NETTO	WEIGHT BRUTTO	SIZE [CM]	QUANTITY [PCS.]	WEIGHT NETTO	WEIGHT BRUTTO
60X50X40	400	13,6	14,7	120X100X220	8000	272	294

**MEASUREMENTS**





## PRODUCT DATA SHEET

<b>PRODUCT NAME:</b>	SUPPORT PAD 15 MM
<b>TRADE NAME:</b>	DDP 015
<b>CODE:</b>	10020
<b>PRODUCT GROUP:</b>	SUPPORT PADS
<b>HS CODE:</b>	39259080

## TECHNICAL DATA

<b>HEIGHT:</b>	<b>15 MM</b>
<b>WEIGHT [kg]</b>	0.046
<b>SIZE [mm]</b>	Ø 140 MM
<b>COLOR</b>	BLACK
<b>MATERIAL</b>	PP
<b>COMPRESSION RESISTANCE:</b>	900 kg <sup>1</sup>



### PROPERTIES:

- stackable ( max. 3 layers ),
- gap between tiles - built in 3 MM,
- additional 5 MM, version
- V0 SELF-EXTINGUISHING available

### DESCRIPTION:

Fixed height modular support pads are designed with 4 integrated modules and allows You to easily split it in to halves to use along side of the terrace barrier limitation and quarter in the corner places. Very light but durable design with built in 3 mm lugs to make small and nice gap between tiles. Holes in the bottom part of the pads allows water goes out and not stuck inside what is important in case of it's freezing during winter season. There is possibility to stack pads one on top of the another and mix heights. This attribute allows easily reach demanded height.<sup>2</sup>

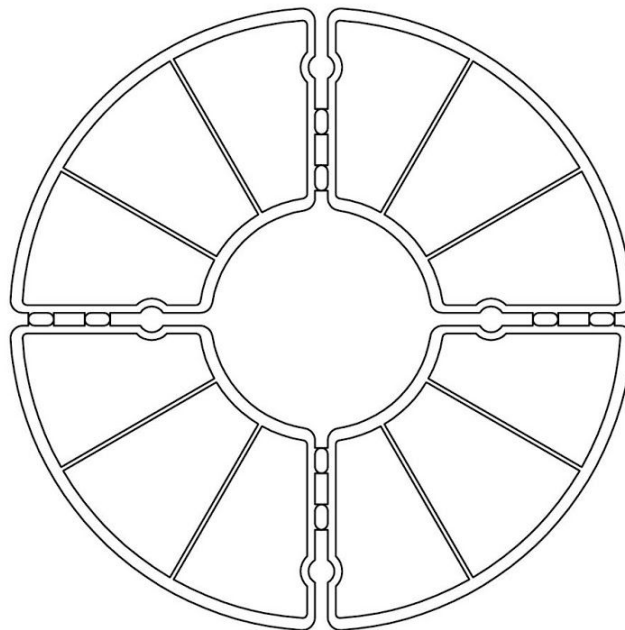
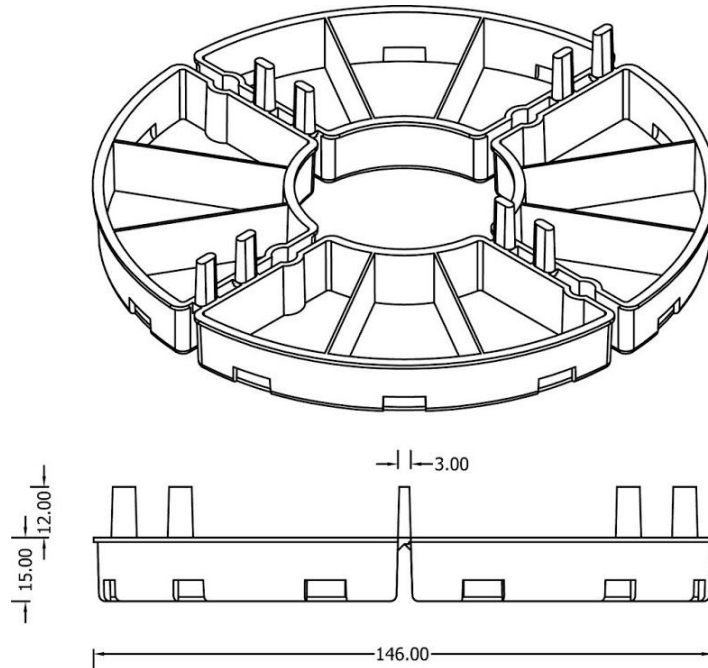
<sup>1,2</sup> - (detailed information in Technical Specification)

## DATA LOGISTIC

CARTON BOX				PALLET			
SIZE [CM.]	QUANTITY [PCS.]	WEIGHT NETTO	WEIGHT BRUTTO	SIZE [CM]	QUANTITY [PCS.]	WEIGHT NETTO	WEIGHT BRUTTO
60X50X40	300	11.4	12.6	120X100X220	6000	228	248



## MEASUREMENTS



## PRODUCT DATA SHEET

<b>PRODUCT NAME:</b>	SUPPORT PAD 16 MM
<b>TRADE NAME:</b>	DDP 016
<b>CODE:</b>	10021
<b>PRODUCT GROUP:</b>	SUPPORT PADS
<b>HS CODE:</b>	39259080

## TECHNICAL DATA

<b>HEIGHT:</b>	<b>16 MM</b>
<b>WEIGHT [kg]</b>	0.143
<b>SIZE [mm]</b>	180x180x30
<b>COLOR</b>	BLACK
<b>MATERIAL</b>	PP
<b>COMPRESSION RESISTANCE:</b>	900 kg <sup>1</sup>
<b>PHOTOS:</b>	<a href="#">link</a>
<b>DOCUMENTS:</b>	<a href="#">link</a>



### PROPERTIES:

- stackable ( max. 3 layers ),
- gap between tiles - built in 3 MM,
- additional 5 MM, version
- V0 SELF-EXTINGUISHING available

### DESCRIPTION:

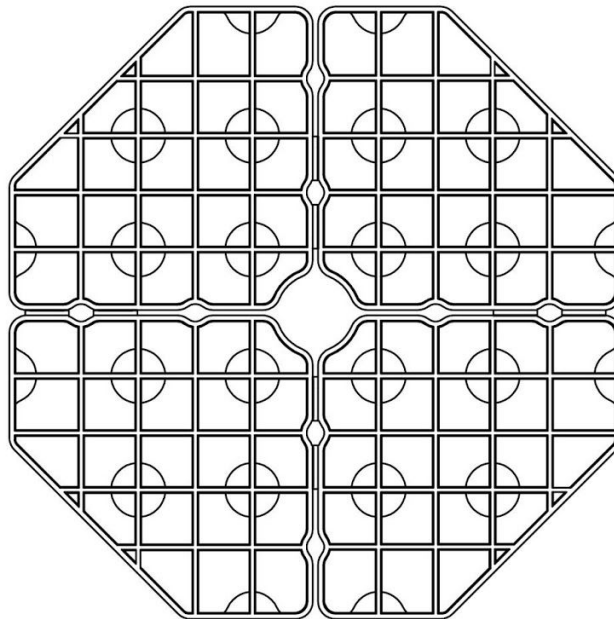
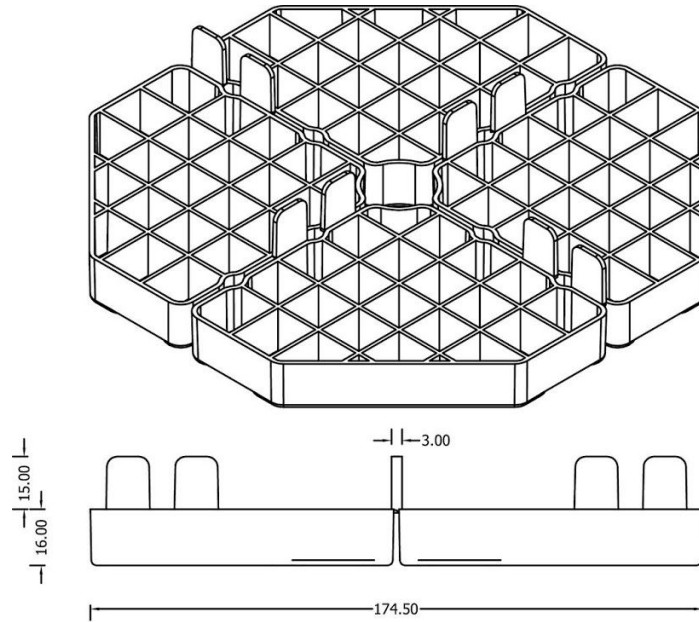
Fixed height support pads for laying on top of the roof. Support pads do not need any specialistic tools which are needed for creating traditional terrace with adhesive. Support pads are modular what allows to break into modules - half for next to wall placing and quarter for corner placing. Support pads are stackable what allows to raise height of the terrace. Maximum height is 3 pcs stacked - 48 mm. Fixed height pedestal has integrated gap spacer for setting gap between tiles. Integrated gap spacer is 3 mm but there is possibility to mount additional gap spacer with 5 mm thickness. Additionally you can place rubber shims on the top of the pedestal with thicknes 1,5 mm and 3,0 mm which allows to align tiles when they have different thickness. Terraces placed on support pads has possibility to verify membrane and top of the terrace surface below. Fixed height support pads makes creating terrace easier and much faster. <sup>2</sup>

<sup>1,2</sup> - (detailed information in Technical Specification)

## DATA LOGISTIC

CARTON BOX				PALLET			
SIZE [CM.]	QUANTITY [PCS.]	WEIGHT NETTO	WEIGHT BRUTTO	SIZE [CM]	QUANTITY [PCS.]	WEIGHT NETTO	WEIGHT BRUTTO
60X50X20	90	12,87	13,7	120X100X220	3600	511,2	548

## MEASUREMENTS

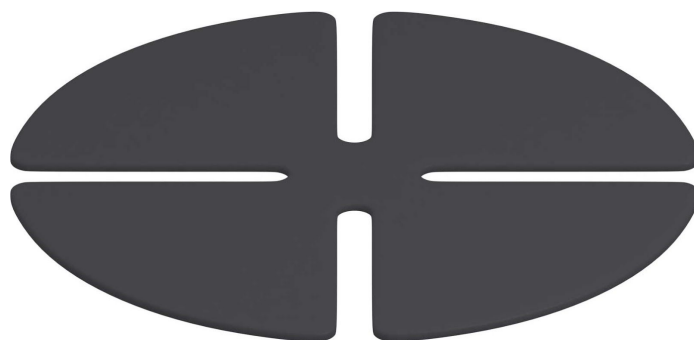


## PRODUCT DATA SHEET

<b>PRODUCT NAME:</b>	RUBBER SHIM SH145 1,5 MM
<b>TRADE NAME:</b>	SH145
<b>CODE:</b>	10314
<b>PRODUCT GROUP:</b>	DDP ACCESSORIES
<b>HS CODE:</b>	4016930090

## TECHNICAL DATA

<b>HEIGHT:</b>	<b>1,5 MM</b>
<b>WEIGHT [kg]</b>	0.02
<b>SIZE [mm]</b>	Ø 100 MM
<b>COLOR</b>	BLACK
<b>MATERIAL</b>	SEBS
<b>COMPRESSION RESISTANCE:</b>	--
<b>PHOTOS:</b>	<a href="#">link</a>
<b>DOCUMENTS:</b>	<a href="#">link</a>



### PROPERTIES:

- ELASTIC,
- ANTI-NOISE
- EXTERNAL WEATHER CONDITION RESISTANT

### DESCRIPTION:

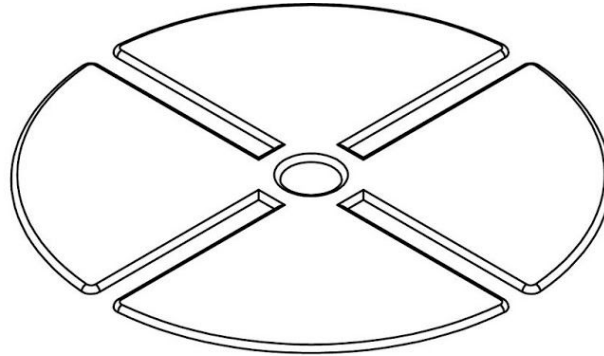
Rubber shim can be comprehensively used when making terrace with adjustable pedestals. Whenever it needs to tiles thickness adjust or make additional soundproof rubber shim are perfect solution. No more sand grain cracking under your tiles. Additional vibration absorption and noises mute.<sup>2</sup>

<sup>1,2</sup> - (detailed information in Technical Specification)

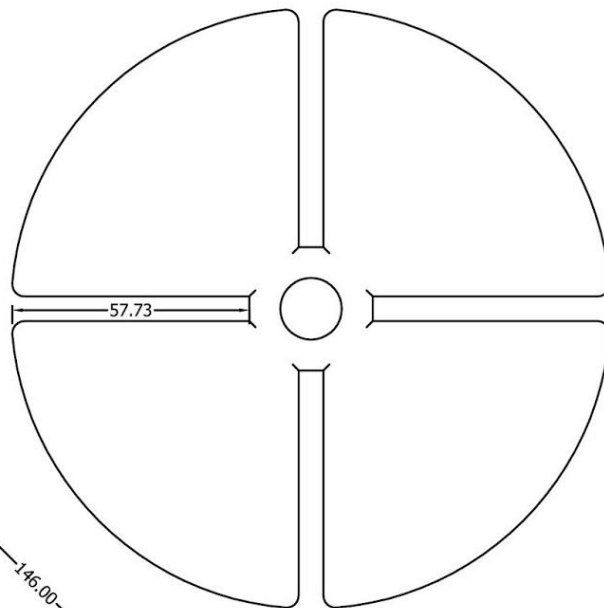
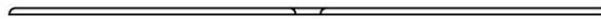
## DATA LOGISTIC

CARTON BOX				PALLET			
SIZE [CM.]	QUANTITY [PCS.]	WEIGHT NETTO	WEIGHT BRUTTO	SIZE [CM]	QUANTITY [PCS.]	WEIGHT NETTO	WEIGHT BRUTTO
--	--	--	--	--	--	--	--

## MEASUREMENTS



1.50



## PRODUCT DATA SHEET

<b>PRODUCT NAME:</b>	RUBBER SHIM SH175 1.5 MM
<b>TRADE NAME:</b>	SH175
<b>CODE:</b>	10318
<b>PRODUCT GROUP:</b>	DDP ACCESSORIES
<b>HS CODE:</b>	4016930090

## TECHNICAL DATA

<b>HEIGHT:</b>	<b>1,5 MM</b>
<b>WEIGHT [kg]</b>	0,06
<b>SIZE [mm]</b>	175x175 MM
<b>COLOR</b>	BLACK
<b>MATERIAL</b>	SBR
<b>COMPRESSION RESISTANCE:</b>	--
<b>PHOTOS:</b>	<a href="#">link</a>
<b>DOCUMENTS:</b>	<a href="#">link</a>



### PROPERTIES:

- ELASTIC,
- ANTI-NOISE
- EXTERNAL WEATHER CONDITION RESISTANT

### DESCRIPTION:

Rubber shim can be comprehensively used when making terrace with adjustable pedestals. Whenever it needs to tiles thickness adjust or make additional soundproof rubber shim are perfect solution. No more sand grain cracking under your tiles. Additional vibration absorption and noises mute.<sup>2</sup>

<sup>1,2</sup> - (detailed information in Technical Specification)

## DATA LOGISTIC

CARTON BOX				PALLET			
SIZE [CM.]	QUANTITY [PCS.]	WEIGHT NETTO	WEIGHT BRUTTO	SIZE [CM]	QUANTITY [PCS.]	WEIGHT NETTO	WEIGHT BRUTTO
--	--	--	--	--	--	--	--

## MEASUREMENTS

