

# PEDESTALS FOR PAVERS, TILES AND DECKING

**Raised outdoor flooring. Floating  
decks with adjustable height plastic  
pedestals. Support pedestals system.**

**Part 1**

**What is support pedestals system for terraces and why  
your customer should choose this solution?**

# I invite **You** to to sign up on my newsletter list

I would like to give You a good value content about adjustable pedestals and terraces. **If You will subscribe to my list I will be writing to you about:**

- New products
- Updates
- Pricelists
- Technical knowledge
- Interesting projects

<https://ddgro.eu/en/join-our-newsletter/>



# Raised outdoor pedestal flooring

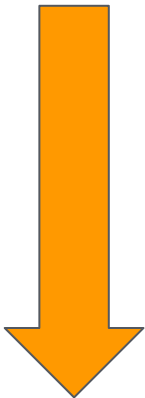
We are a manufacturer and shipping worldwide. If You are interested in cooperation please contact with us!

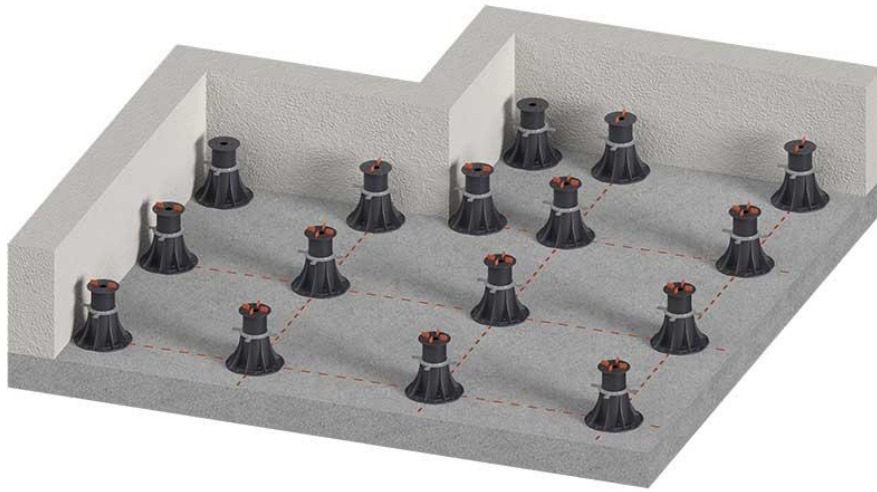
Move on for a reading ...



[www.ddgro.eu](http://www.ddgro.eu) [sales@ddpedestals.eu](mailto:sales@ddpedestals.eu)

100%  
MADE IN POLAND  
MANUFACTURER

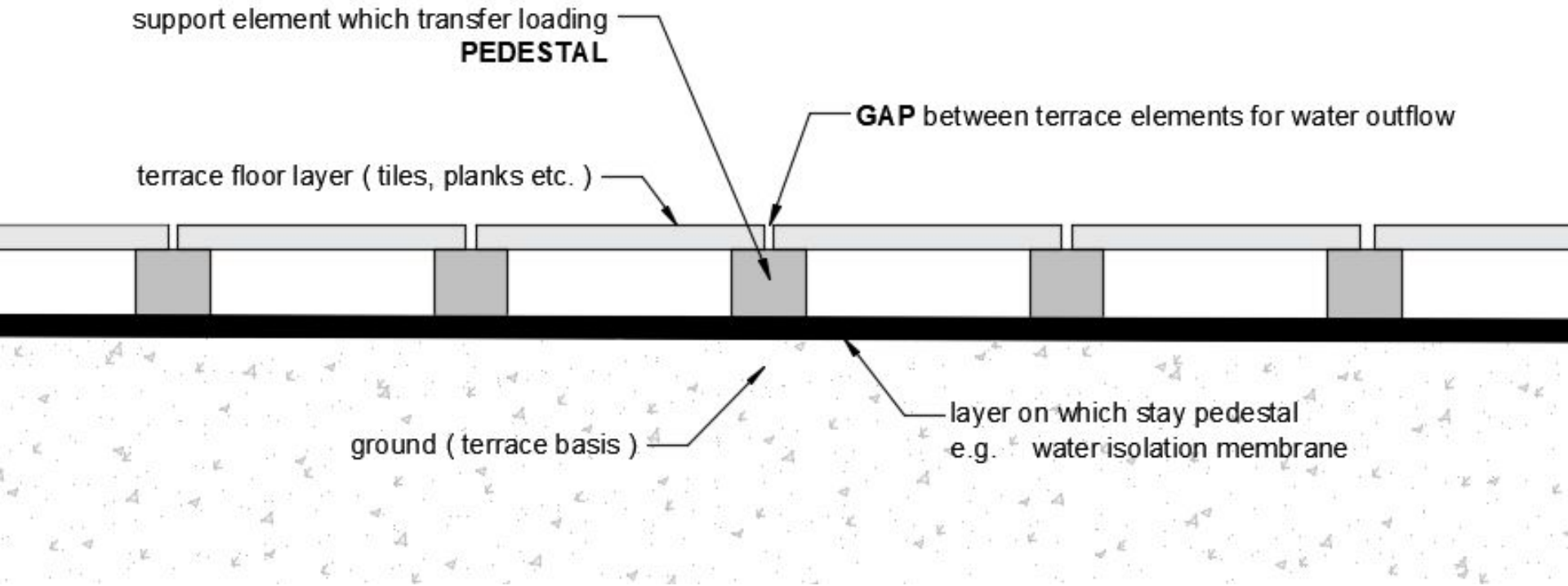




Raised outdoor  
pedestal flooring  
what is it?

**Raised outdoor flooring is a innovative system which is ultimate solution for external terraces, decks, patios. System allows for raising outdoor floor level to a desired height on a sloped ground.**





## Raised outdoor pedestal flooring advantages

The system works in laying terrace tiles or planks on a pedestals so that they are moved away from the ground. This allows free ventilation and water flow. The system does not require gluing to the ground. Watch a Youtube video that show how pedestals works - <https://youtu.be/fH9GCjYvZ5A>

ON THIS LEVEL WE NEED TO HAVE TERRACE TOP SURFACE

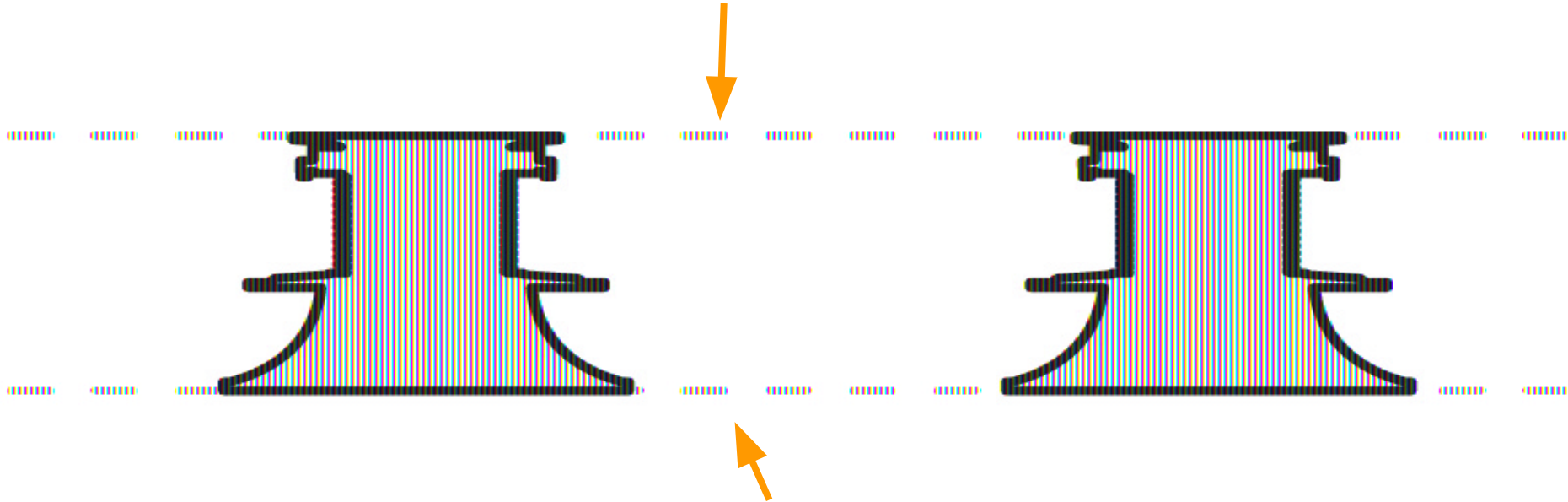


ON THIS LEVE WE HAVE CURRENT GROUND/BASIS

Taras wentylowany  
czym są tarasy  
wentylowane?

MOŻLIWOŚĆ PODNIESIENIA POZIOMU TARASU DO  
ŻĄDANEJ WYSOKOŚCI

ON THIS LEVEL WE NEED TO HAVE TERRACE TOP SURFACE

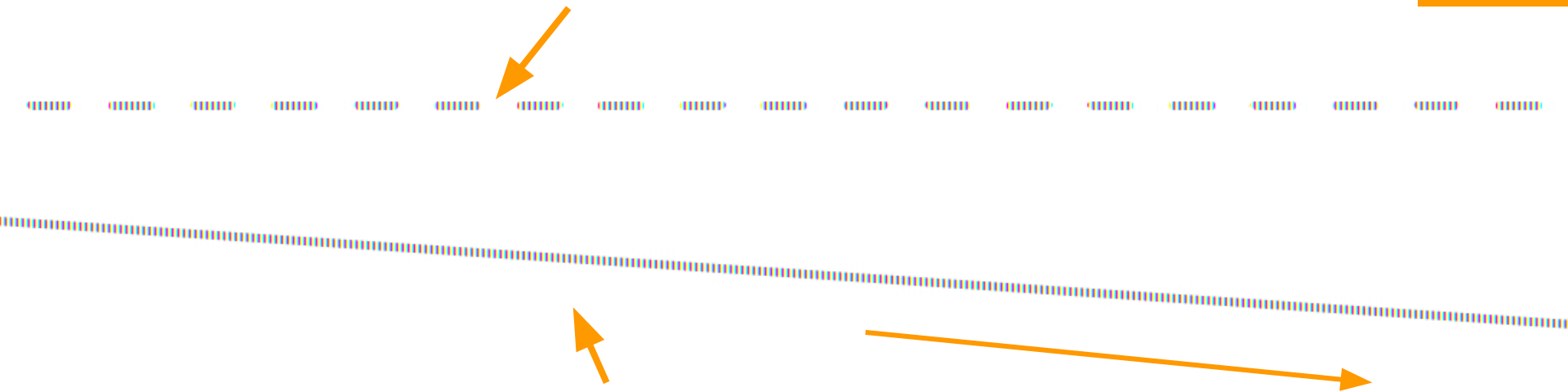


ON THIS LEVE WE HAVE CURRENT GROUND/BASIS

Taras wentylowany  
czym są tarasy  
wentylowane?

MOŻLIWOŚĆ PODNIESIENIA POZIOMU TARASU DO  
ŻĄDANEJ WYSOKOŚCI

ON THIS LEVEL WE NEED TO HAVE TERRACE TOP SURFACE



ON THIS LEVE WE HAVE CURRENT GROUND/BASIS

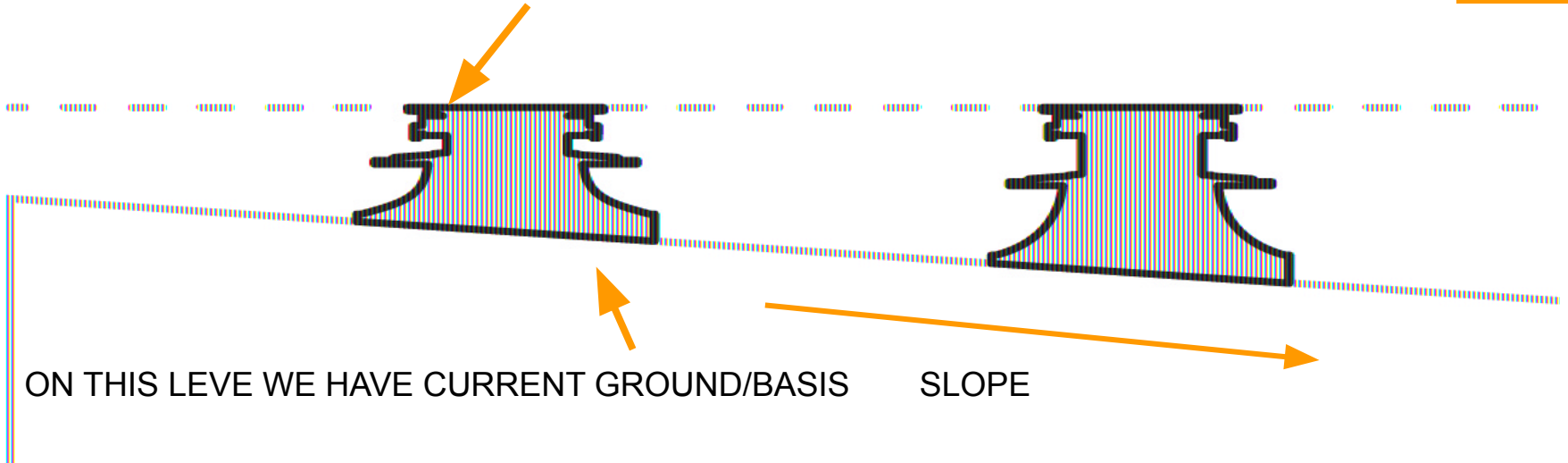
SLOPE

Taras wentylowany  
czy są tarasy  
wentylowane?

POWIERZCHNIA TARASU JEST POZIOMA POMIMO  
IŻ POD SPODEM TARASU JEST SPADEK



ON THIS LEVEL WE NEED TO HAVE TERRACE TOP SURFACE



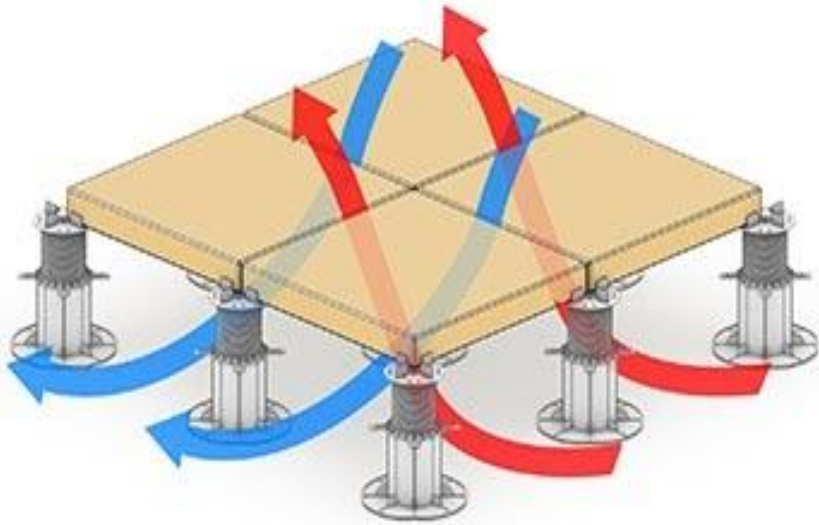
Taras wentylowany  
czy są tarasy  
wentylowane?

POWIERZCHNIA TARASU JEST POZIOMA POMIMO  
IŻ POD SPODEM TARASU JEST SPADEK

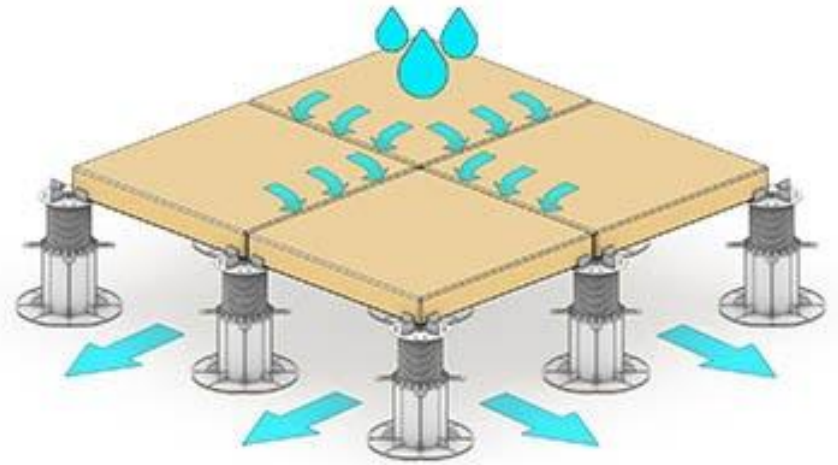


## Raised outdoor pedestal flooring advantages

- level and set the height of the terrace
- no need to glue to the ground
- no freezing effect
- allow for an aesthetic finish
- do not damage the insulation
- they provide insulation and repair options
- easy assembly and disassembly

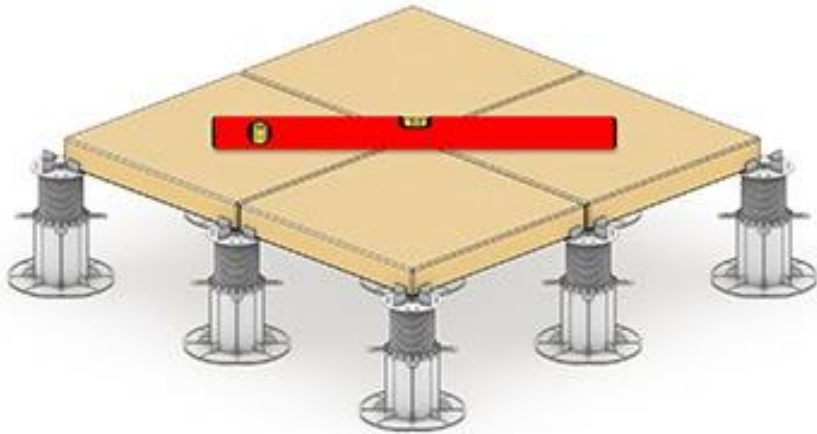


**Ventilation of the entire floor**



**Free drainage**

Raised outdoor  
pedestal flooring  
advantages



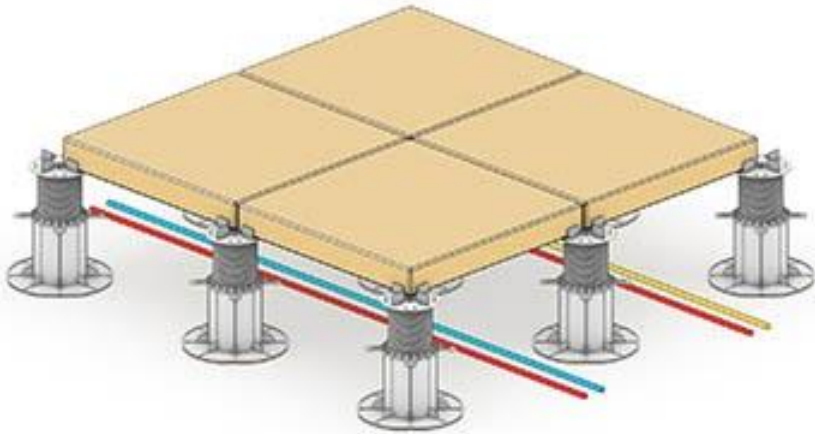
**Odpowiednia wysokość i poziom tarasu**



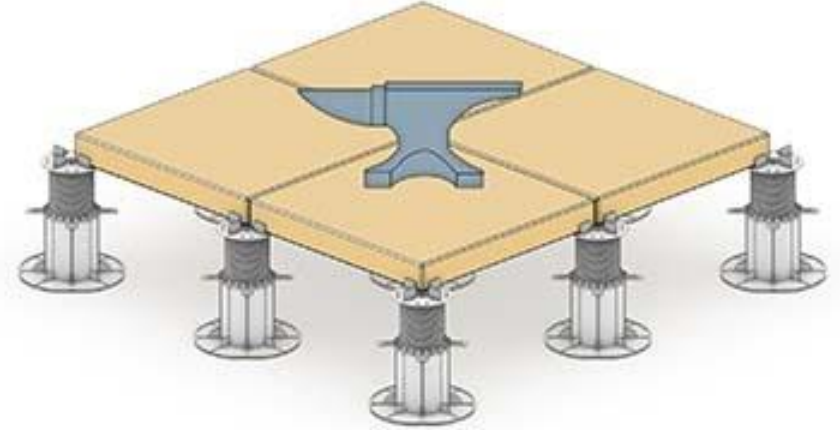
**Posadzka jest lekka**

Raised outdoor  
pedestal flooring  
advantages





**Possibility to lay cable installation media  
under the terrace**



**The terrace is resistant to loads**

Raised outdoor  
pedestal flooring  
advantages

Read more about advantages of raised outdoor pedestals  
terrace flooring

<https://ddgro.eu/en/articles/adjustable-deck-supports-5-most-important-advantages-of-technology/>



**WRONG**



Raised outdoor  
pedestal flooring  
**vs. traditional solution**

**Traditional terraces are exposed to damage shortly after completion. The main factor destroying terraces is the constant penetration of water and rot. Read more how we repaired old balcony with raised outdoor pedestals**  
<https://ddgro.eu/en/articles/balcony-repair-adjustable-pedestals/>



# WRONG



Raised outdoor  
pedestal flooring  
**vs. traditional solution**

**Water penetration and freezing leads to weaning of glued tiles. Decay causes damage to the boards and the inability to use the terrace safely. The terrace surface becomes slippery and unsightly. See how we repaired old terrace with pedestals system**

<https://ddgro.eu/en/articles/how-did-we-repair-a-terrace-of-80m2-using-a-simple-technology/>

[www.ddpedestals.eu](http://www.ddpedestals.eu)



WRONG



Raised outdoor  
pedestal flooring  
**vs. traditional solution**

**With the invention of raised outdoor pedestal flooring, there are also attempts to make them by arranging the terraces on bags with mortar. This solution, despite being cheaper, is much more labor-intensive and faulty. Bags soaked in water crumble during frosts, which causes the terrace to collapse and be unusable.**





Raised outdoor  
pedestal flooring  
examples  
**BALCONIES**

**Terrace tiles; ceramic, stone, concrete**  
**Read more about pedestals on balconies and watch**  
**our video from a project**  
<https://ddgro.eu/en/articles/adjustable-pedestal-installation-on-on-construction-site/>



Raised outdoor  
pedestal flooring  
examples  
**BALCONIES**

**Terraces on joists; wooden, composite WPC.**  
**Read more about how we done project with WPC**  
**composite decking on adjustable pedestals**  
<https://ddgro.eu/en/articles/composite-decking-raised-on-pedestals-on-ground-floor/>



Raised outdoor  
pedestal flooring  
examples  
FLAT ROOFS

**Terrace tiles; ceramic, stone, concrete**

**If You are interested in pedestals for tiles visit our  
page with more detailed information about this type  
of pedestals**

**<https://ddgro.eu/en/adjustable-terrace-pedestals-for-tiles/>**





Raised outdoor  
pedestal flooring  
examples  
FLAT ROOFS

**Terraces on joists; wooden, composite WPC. See pedestals for decking joists with more detailed information**

<https://ddgro.eu/en/adjustable-pedestals-for-decking-joists/>





Raised outdoor  
pedestal flooring  
examples  
**ON THE GROUND**

**Terrace tiles; ceramic, stone, concrete**



Raised outdoor  
pedestal flooring  
examples  
**ON THE GROUND**

**Terraces on joists; wooden, composite WPC**



## Raised outdoor pedestal flooring examples SWIMMING POOLS

Terraces around the pools laid on adjustable pedestals. They allow free drainage from the terrace surface.

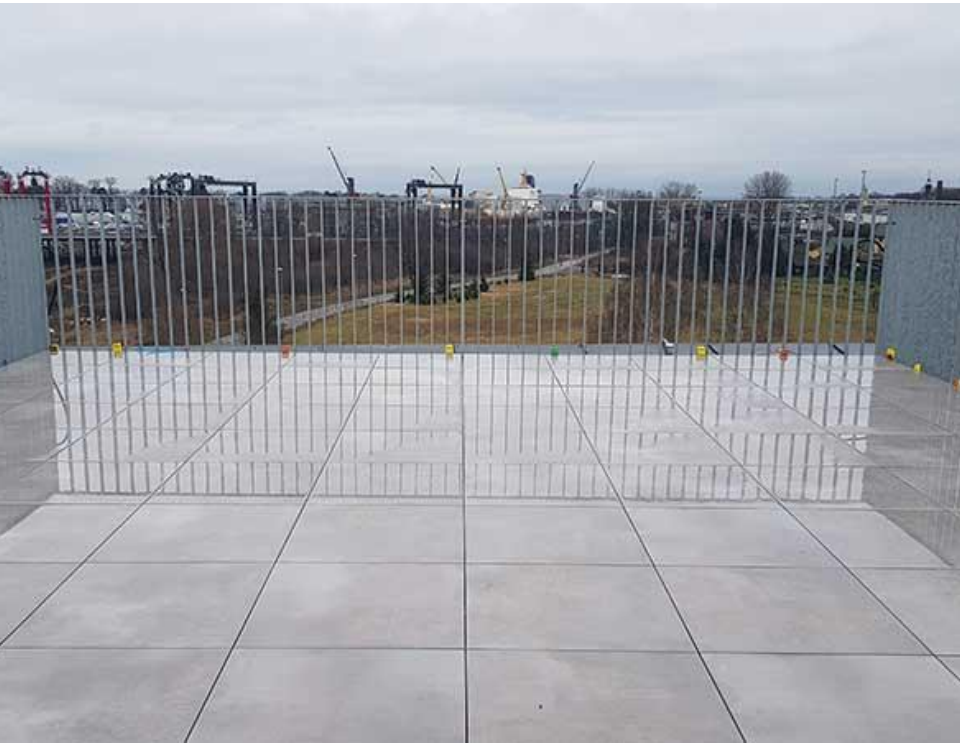




Raised outdoor  
pedestal flooring  
examples  
**FOUNTAINS**

**Interactive city fountains made of slabs set on adjustable pedestals.**

**We have a special advanced pedestals which are very good solution for fountains tiles usage. Please read more about it here <https://ddgro.eu/en/adjustable-terrace-pedestals-for-tiles/>**



Raised outdoor  
pedestal flooring  
examples  
**ROOF TERRACE**

**Viewing terraces on roofs, slabs set on  
terrace brackets limited by a steel structure.**





Adjustable Plastic Pedestals  
DD PEDESTALS  
[www.ddpedestals.eu](http://www.ddpedestals.eu)



Raised outdoor  
pedestal flooring  
examples  
**STEEL CRATES**

**Floors raised on specialist steel gratings.**



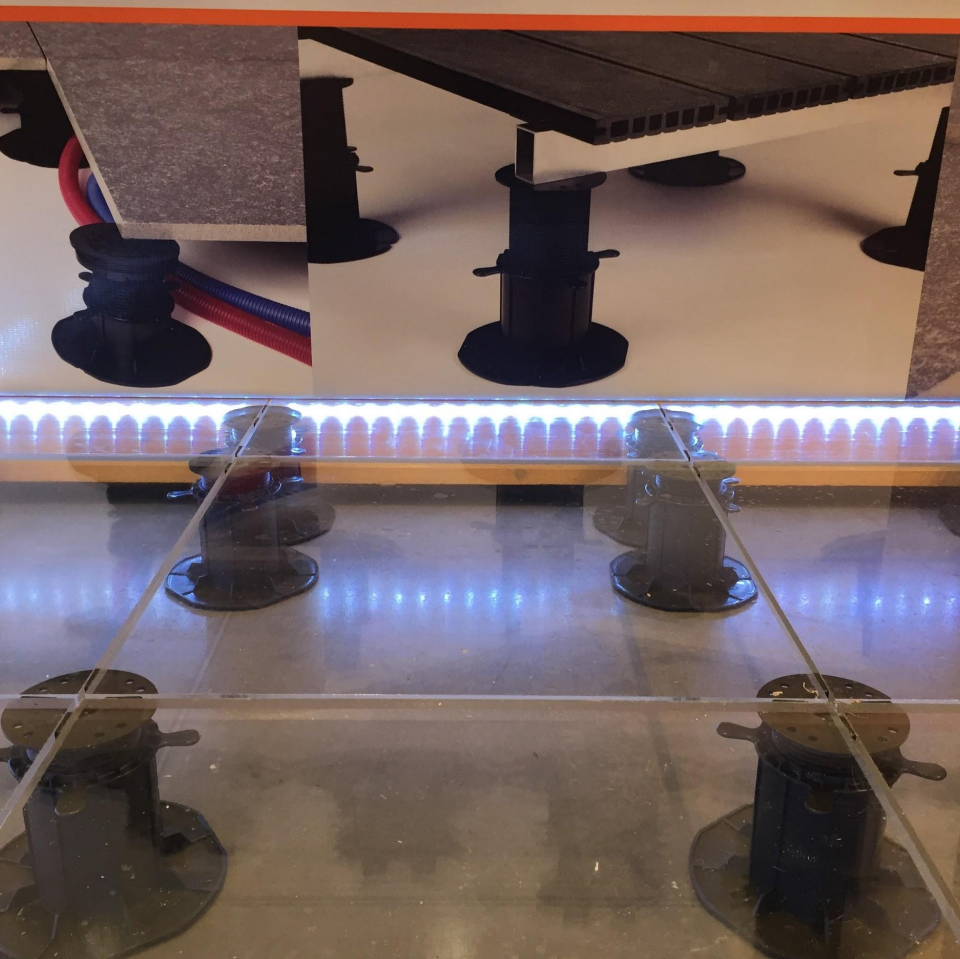


Raised outdoor  
pedestal flooring  
examples

RESTAURANT EXTERIOR

**Raised terraces on brackets can be a solution  
for making restaurant exterior service  
gardens.**





Raised outdoor  
pedestal flooring  
examples  
EVENTS

**Ventilated terraces can be used to set up market or event stands. The versatility of use allows the use of pedestals for all purpose.**

# PEDESTALS BASICS AND SETUP

**Introduction to pedestals technology.  
Pedestals setup and how to use it.**

**Part 2**  
**Basic overview over products, assembly and it`s properties**





## Paver & Decking PEDESTALS Complete solution



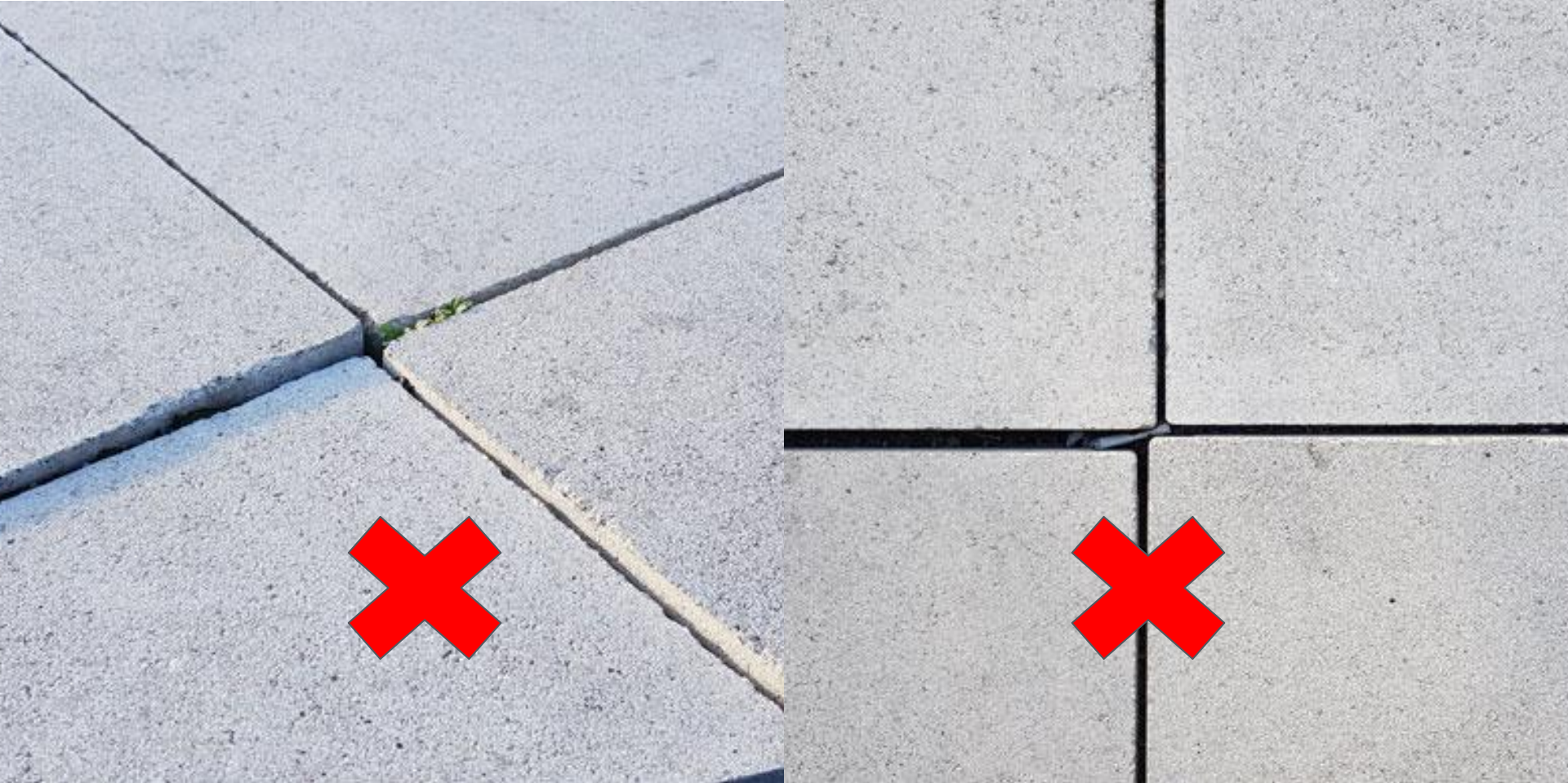
**SUPPORT PADS** Series  
Fixed height





002 - 1/16 Inch - 2 mm

Transparent, Black plastic, Black rubber elastic  
Built-in gap spacer 1/8" (3 mm)



002- 1/16 Inch - 2 mm

**Avoid tiles displacement as on the photos.**





## INSTALLATION ON GRAVEL

Rectified ceramic tile 2 cm

Gravel Ø 3/6 mm (10/30 cm)

Honeycomb layer

Waterproofing layer

Concrete base (10/20 cm) with 0,5-2% sloping

Subgrade

**002** - 1/16 Inch - 2 mm

**Avoid tiles displacement as on the photos.**



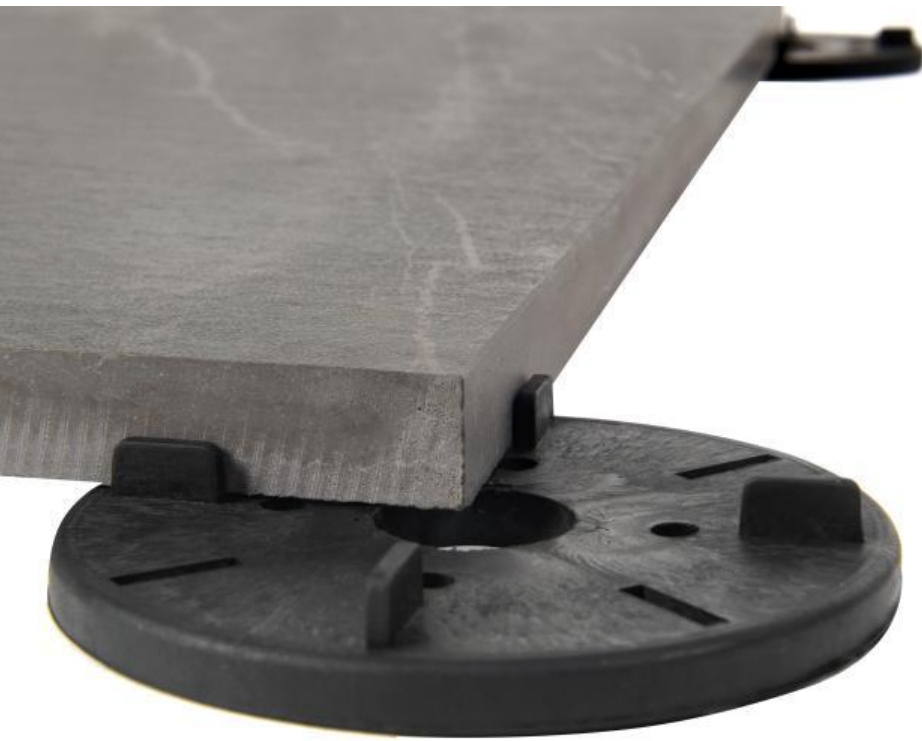
## INSTALLATION ON SAND

- Rectified ceramic tile 2 cm
- Sand (2/5 cm)
- Gravel Ø 0/20 mm (20/40 cm)
- Gravel Ø 40/80 mm (30/50 cm)
- Geotextile
- Subgrade

002 - 1/16 Inch - 2 mm

**Avoid tiles displacement as on the photos.**





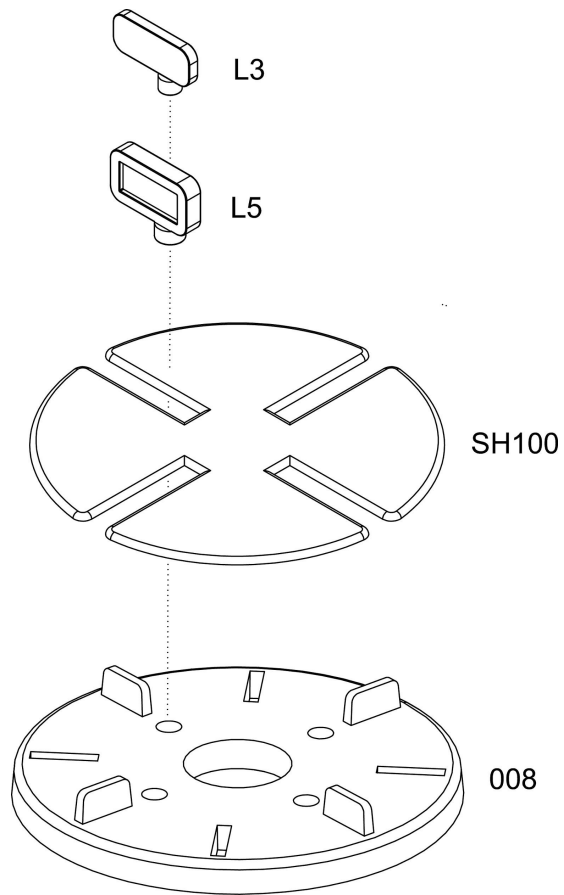
**008** - 5/16 Inch - 8 mm

Black rubber elastic.  
Built in gap spacer 1/8" (3 mm)



**008** - 5/16 Inch - 8 mm

Black rubber elastic.  
Built in gap spacer 1/8" (3 mm)



**008** - 5/16 Inch - 8 mm

Black rubber elastic.  
Built in gap spacer 1/8" (3 mm)





**010** - 3/8 Inch - 10 mm  
**015** - 5/8 Inch - 15 mm

Modular stackable support pads for tiles.  
Built in gap spacer 1/8" (3 mm)





**010** - 3/8 Inch - 10 mm  
**015** - 5/8 Inch - 15 mm

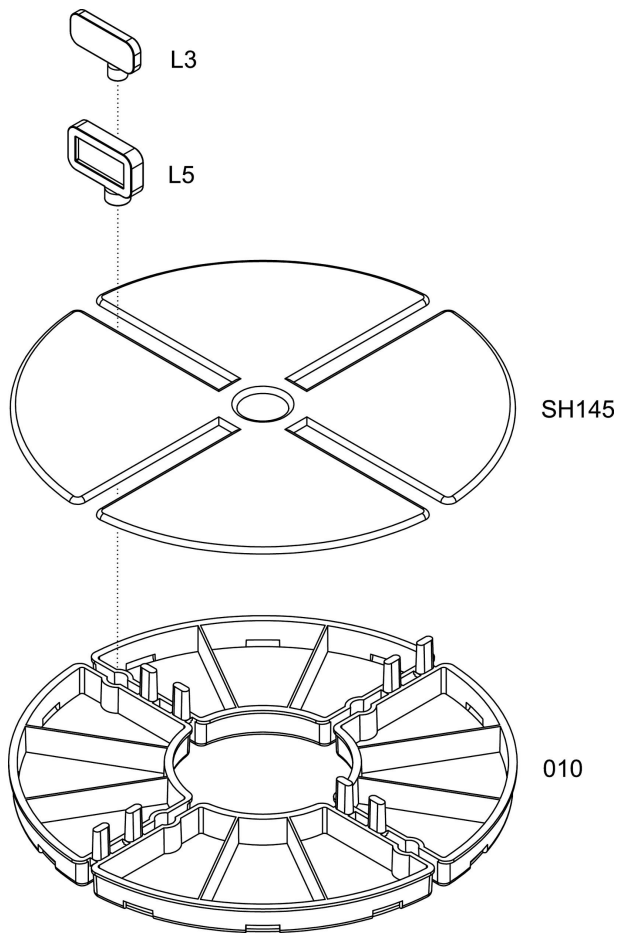
Modular stackable support pads for tiles.  
Built in gap spacer 1/8" (3 mm)



**010** - 3/8 Inch - 10 mm  
**015** - 5/8 Inch - 15 mm

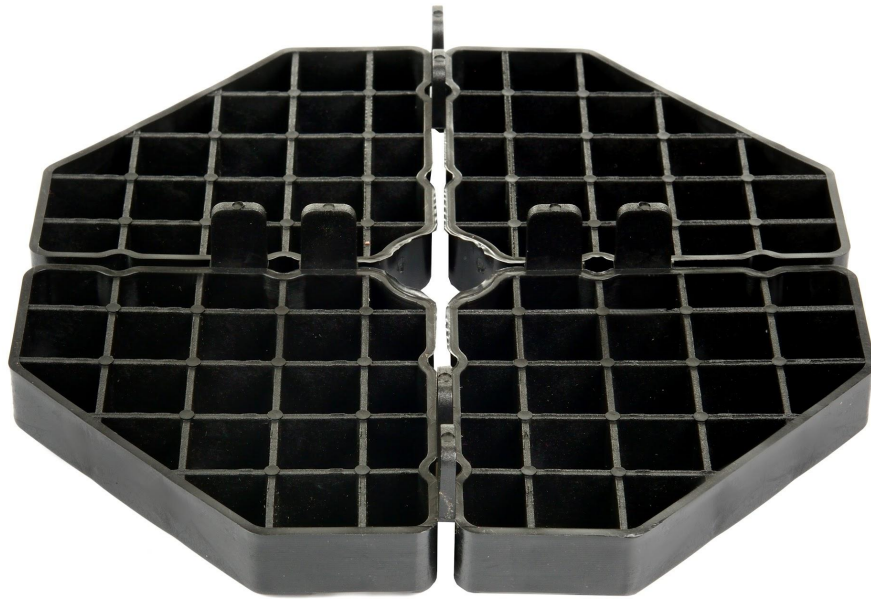
Modular stackable support pads for tiles.  
Built in gap spacer 1/8" (3 mm)





**010** - 3/8 Inch - 10 mm  
**015** - 5/8 Inch - 15 mm

Modular stackable support pads for tiles.  
Built in gap spacer 1/8" (3 mm)



**016** - 5/8 Inch - 16 mm

Modular stackable support pads for tiles.  
Built in gap spacer 1/8" (3 mm)





**016** - 5/8 Inch - 16 mm

Modular stackable support pads for tiles.  
Built in gap spacer 1/8" (3 mm)



## **SPIRAL** Series



**010-017** - 0.39- 0.66 Inch (10-17 mm)  
**017-030** - 0.66 - 1.18 Inch (17-30 mm)

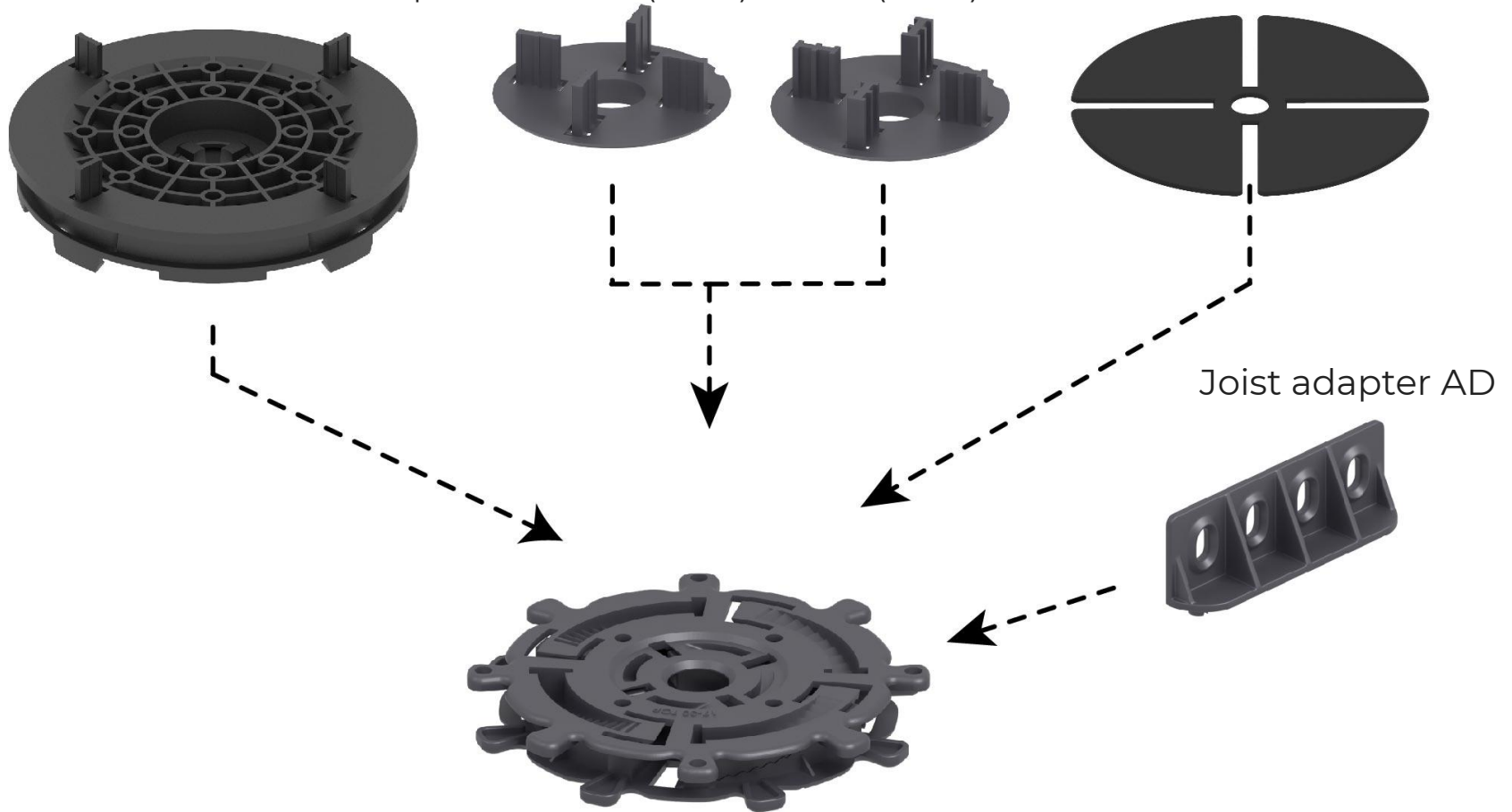
- Part TOP & BOTTOM
- Height increment 3/64 inch (1 mm)
- Need to use with gap spacer disk 1/8" (3 mm) and 3/16" (5 mm)
- Rubber shim SH145 0.059" (1,5 mm)
- Self leveling head MAX 6% 5/8 inch (16 mm)



Self leveling head MAX LE

Rubber shim SH 145 0.05" (1,5 mm)

Spacer discs 1/8" (3mm) or 3/16" (5mm)



## SPIRAL Series assembly and connection with accessories



## **SPIRAL** Series New heights soon!

- Part TOP & BOTTOM
- Height increment 3/64 inch (1 mm)
- Need to use with gap spacer disk 1/8" (3 mm) and 3/16" (5 mm)
- Rubber shim SH145 0.059" (1,5 mm)
- Self leveling head MAX 6% 5/8 inch (16 mm)



## STANDARD Series



Spacers



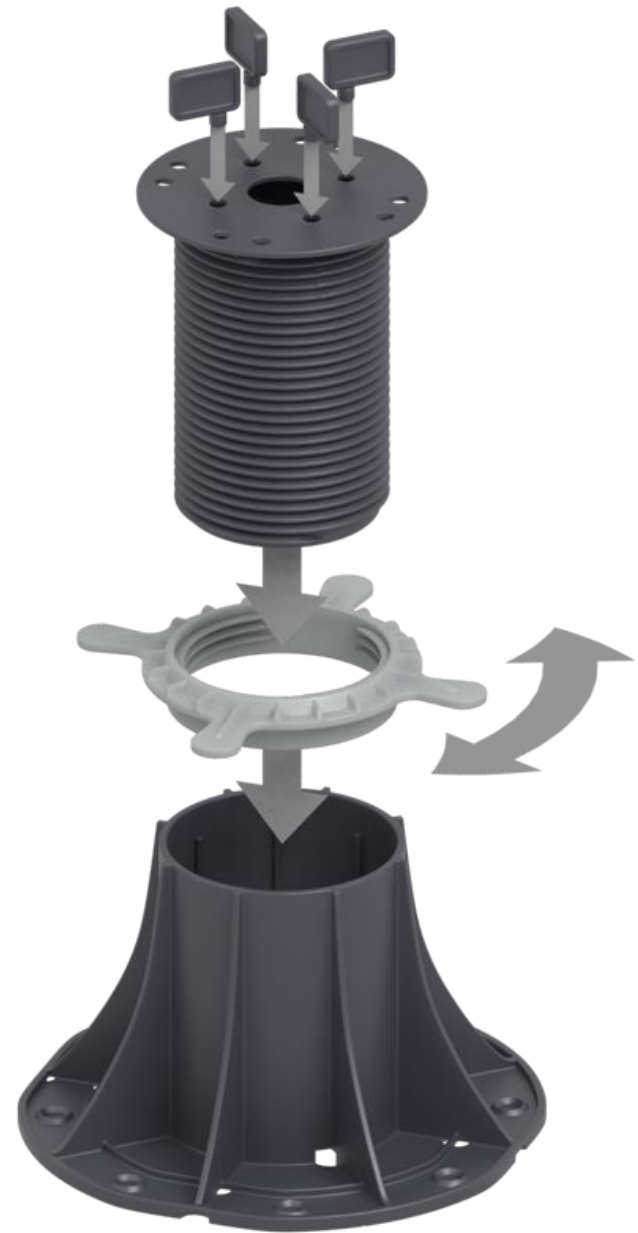
Screw



Screwnut



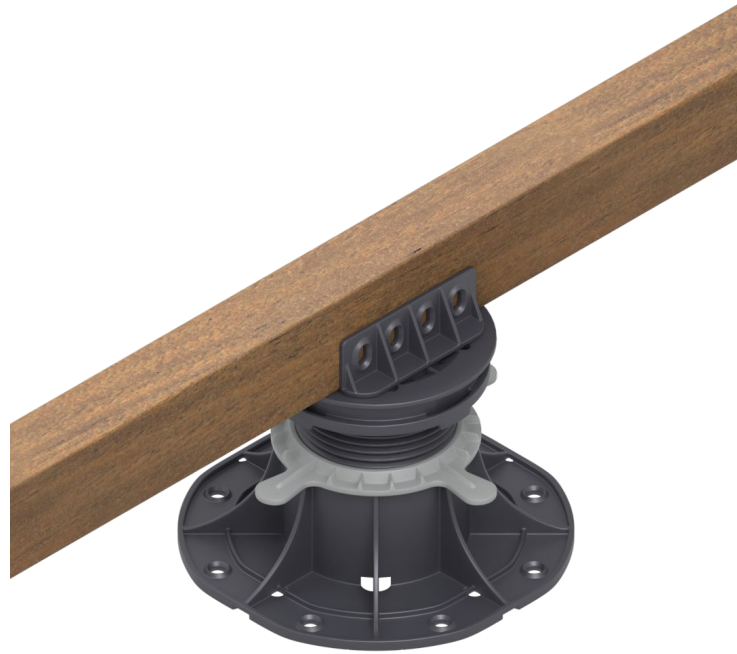
Base



**STANDARD** Series  
elements



For tiles



For decking

**STANDARD** Series  
elements



For tiles



For decking

**STANDARD** Series  
elements





**030-045** - 1.18-1.77 Inch (30-45 mm)

- Screw, Screwnut, Base, Gap spacers / Cross spacers
- Smooth height regulation
- Rubber shim SH100 0.059" (1,5 mm)
- Self leveling head LE 6% 5/8 inch (16 mm)



**045-070** - 1.77-2.75 Inch (45-70 mm)

- Screw, Screwnut, Base, Gap spacers / Cross spacers
- Smooth height regulation
- Rubber shim SH100 0.059" (1,5 mm)
- Self leveling head LE 6% 5/8 inch (16 mm)



**070-120** - 2.75-4.72 Inch (70-120 mm)

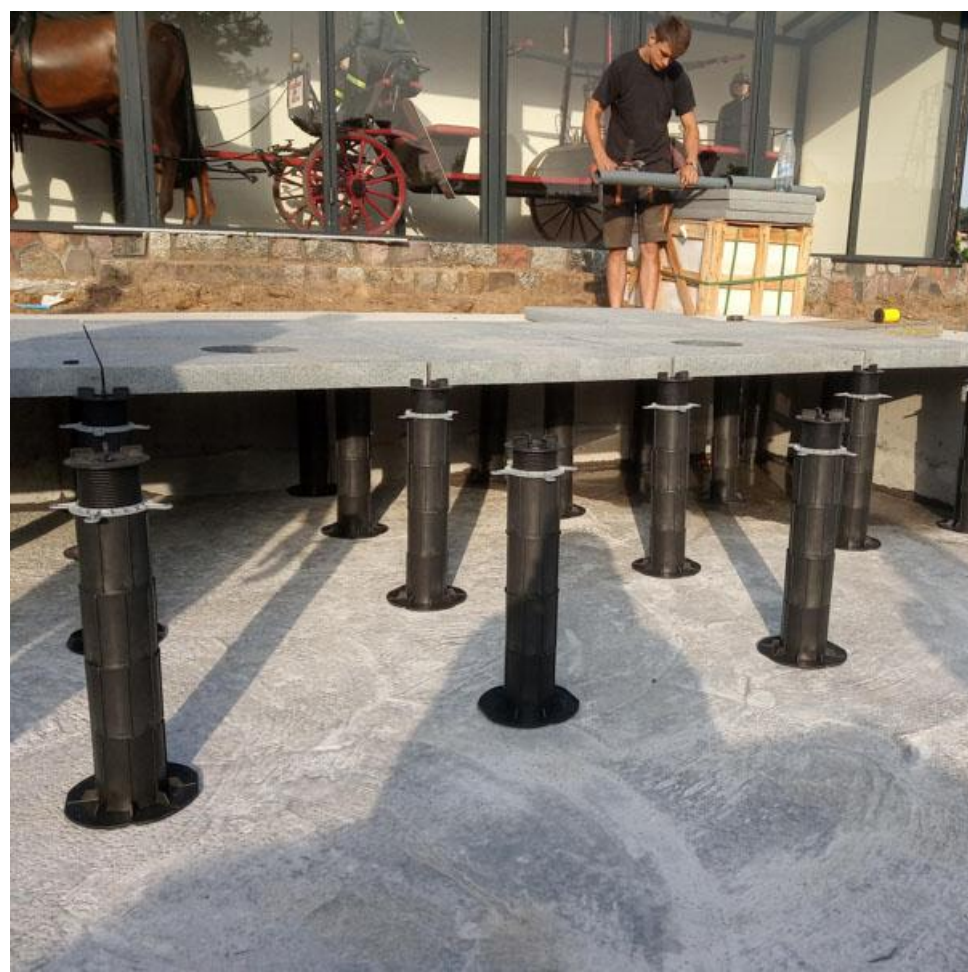
- Screw, Screwnut, Base, Gap spacers / Cross spacers
- Smooth height regulation
- Rubber shim SH100 0.059" (1,5 mm)
- Self leveling head LE 6% 5/8 inch (16 mm)





**120-220** - 4.72-8.66 Inch (120-220 mm)

- Screw, Screwnut, Base, Gap spacers / Cross spacers
- Smooth height regulation
- Rubber shim SH100 0.059" (1,5 mm)
- Self leveling head LE 6% 5/8 inch (16 mm)



**220-320** - 8.66-12.59 Inch  
(220-320 mm)  
**320-420** - 12.59-16.53 Inch  
(320-420 mm)

- Screw, Screwnut, Base, Gap spacers / Cross spacers
- Smooth height regulation
- Rubber shim SH100 0.059" (1,5 mm)
- Self leveling head LE 6% 5/8 inch (16 mm)

0.05" (1,5 mm)  
Self leveling head LE



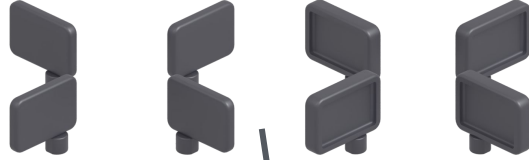
Cross spacer 1/8" (3mm)



Rubber shim SH100 0.05" (1,5 mm)



Gap spacer 1/8" (3mm) or 3/16" (5mm)



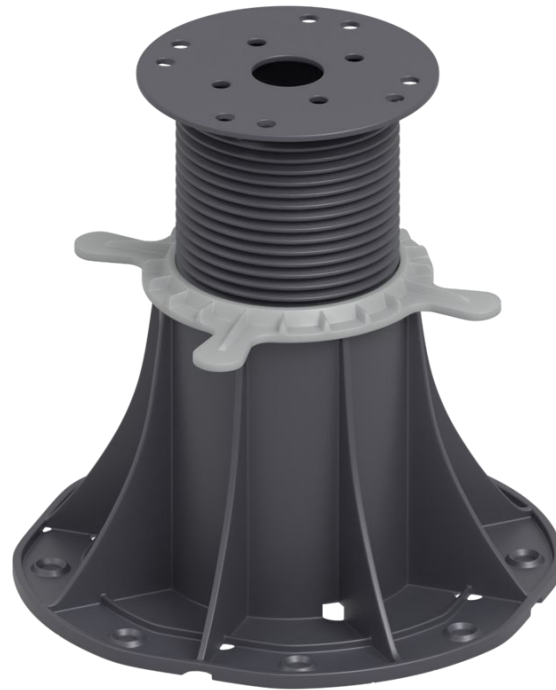
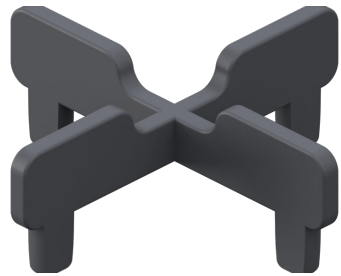
**STANDARD** Series  
accessories



FOR TILES  
GAP SPACERS

4 tile corners support  
Cross spacer  $\frac{1}{8}$ " (3mm)

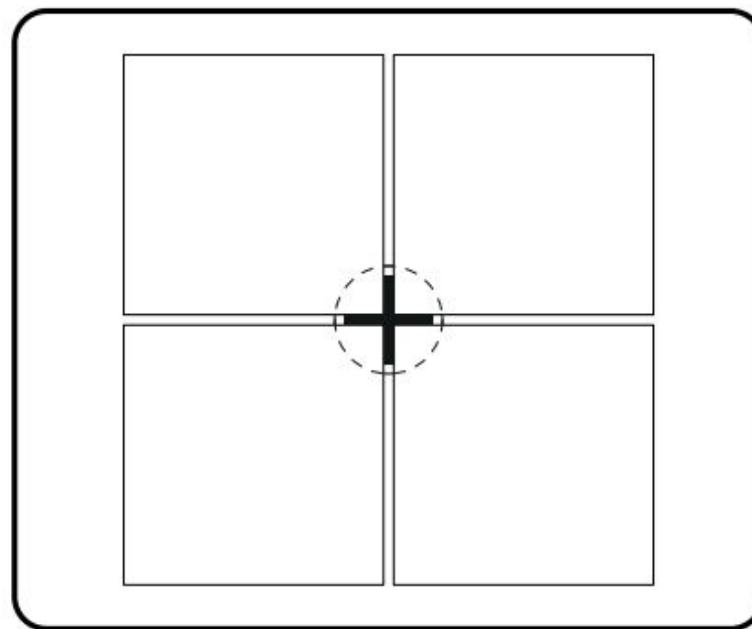
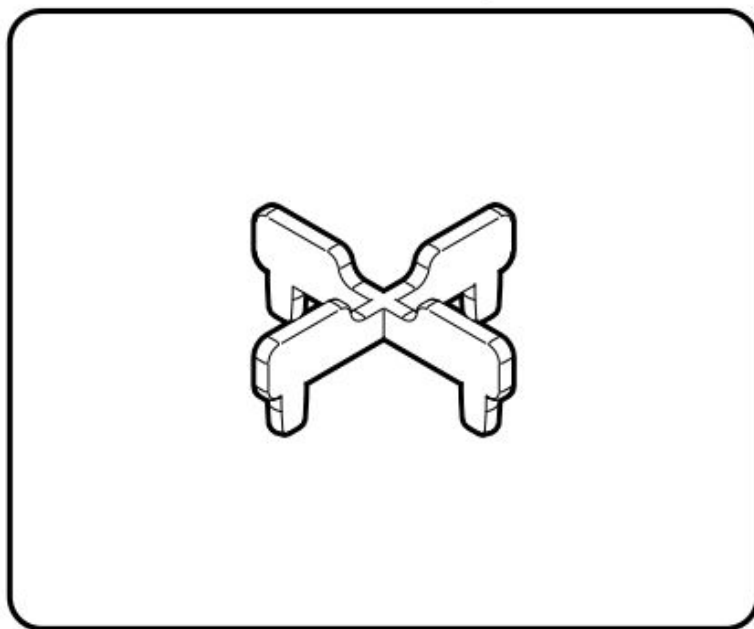
Up to wall gap  
Gap spacer  $\frac{1}{8}$ " (3mm) or  $\frac{3}{16}$ " (5mm)



**STANDARD** Series  
accessories

FOR TILES  
GAP SPACERS

**PEDESTAL SUPPORT 4 TILES CORNERS - USE CROSS SPACERS FOR TILES**  
**WSPORNIK PODPIERAJĄCY 4 NAROŻNIKI PŁYT - UŻYJ KRZYŻYK DYSTANSOWY**

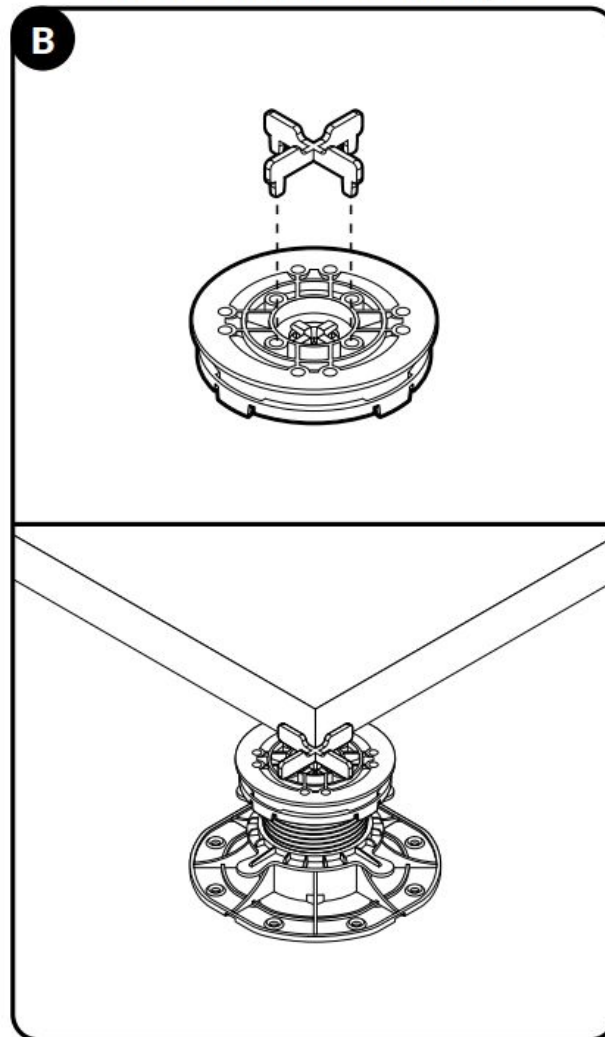
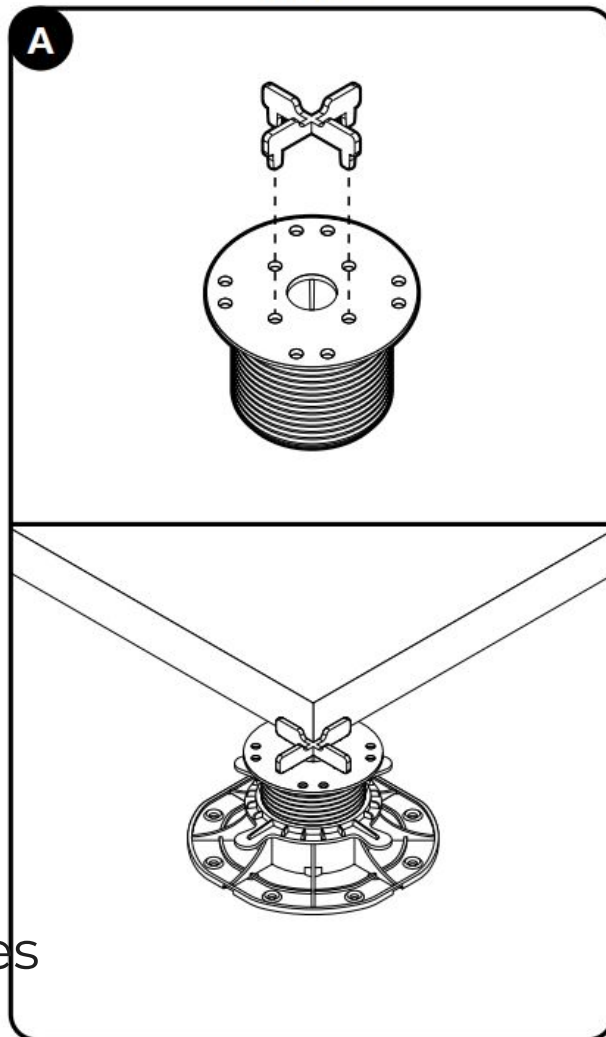


**STANDARD** Series  
accessories

FOR TILES  
GAP SPACERS

SCREW  
ŚRUBA

SELF LEVELING HEAD  
GŁOWICA SAMOPOZIOMUJĄCA

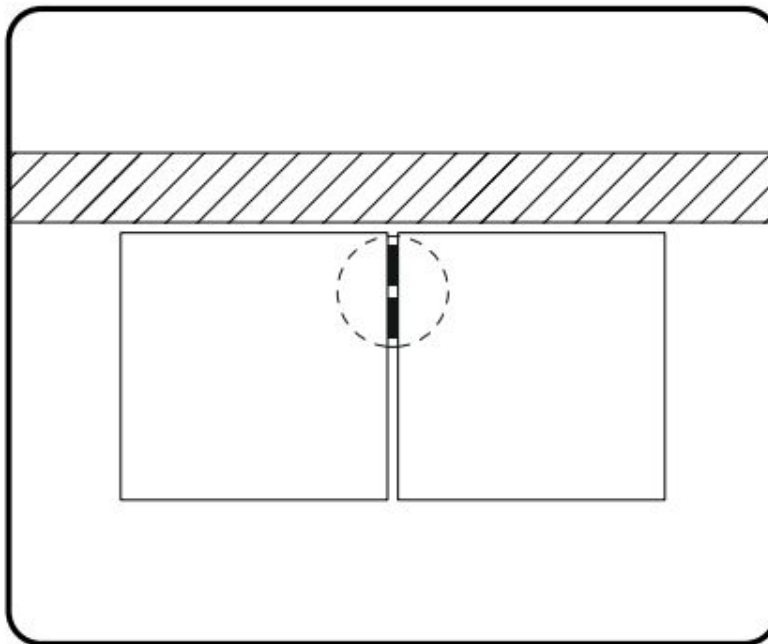
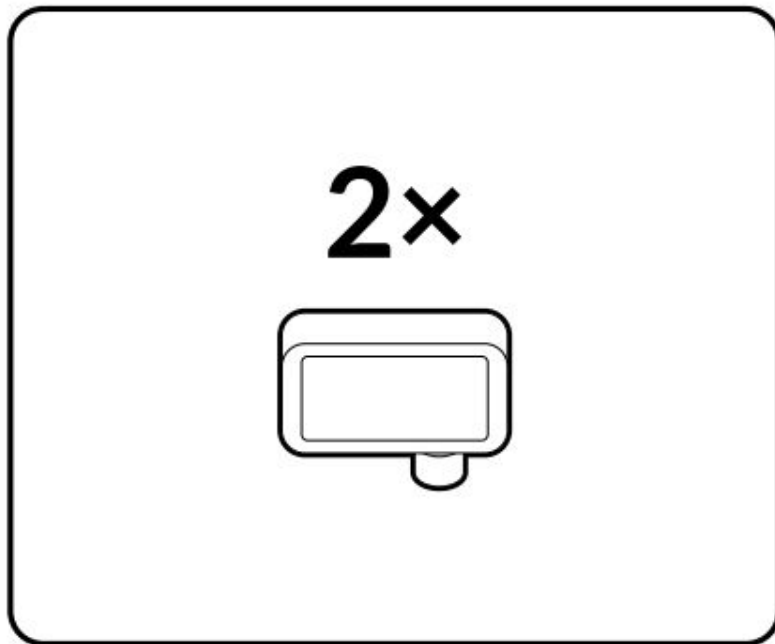


**STANDARD** Series  
accessories



FOR TILES  
GAP SPACERS

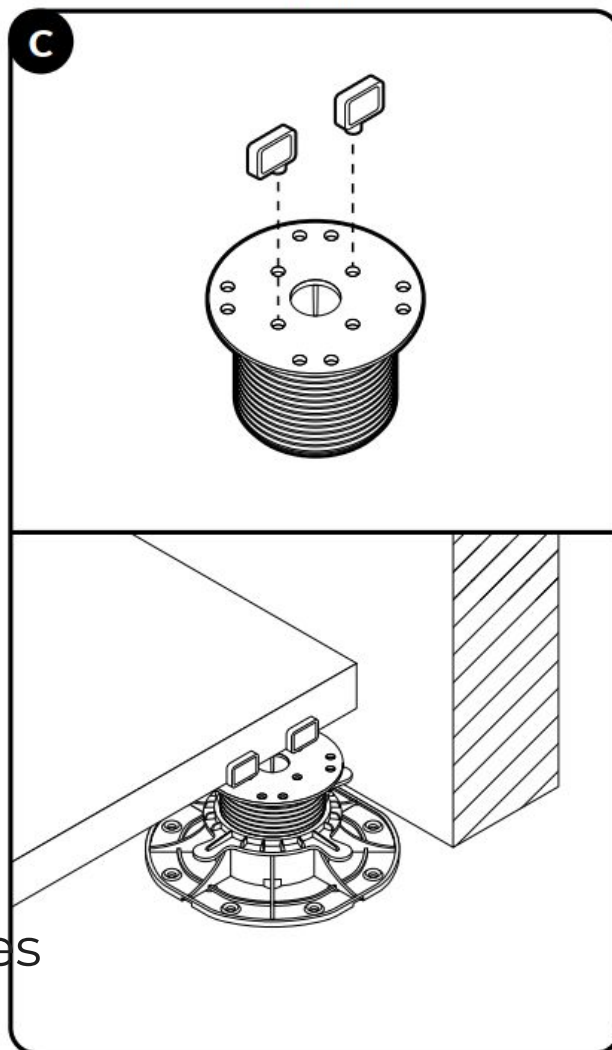
**PEDESTAL ALONG THE WALL - USE INDIVIDUAL SPACERS**  
**WSPORNIK PRZY ŚCIANIE - UŻYJ DYSTANS FUGOWY**



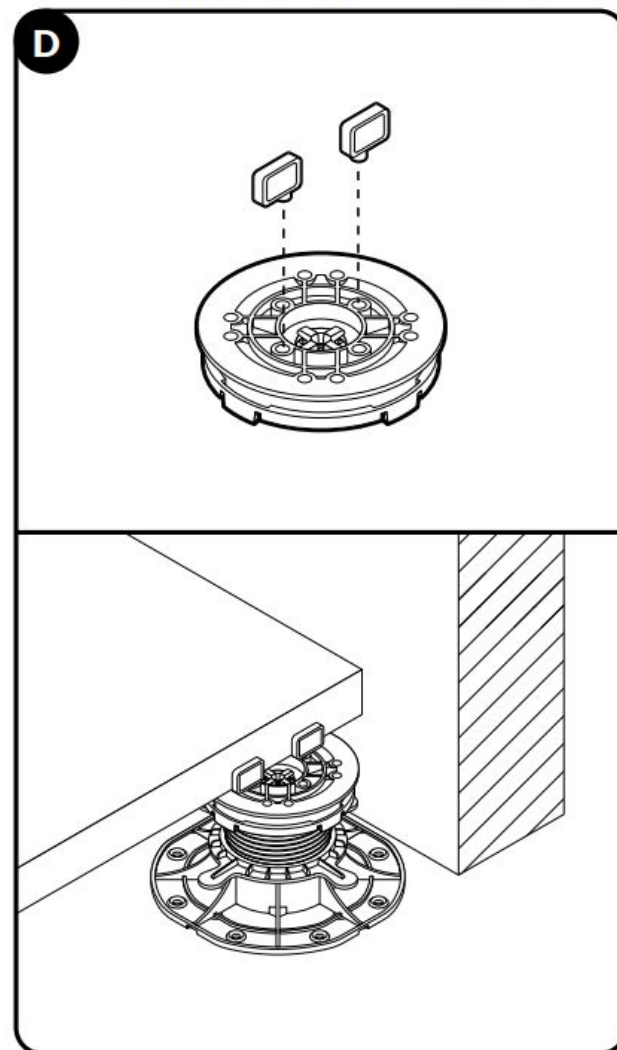
**STANDARD** Series  
accessories

FOR TILES  
GAP SPACERS

SCREW  
ŚRUBA



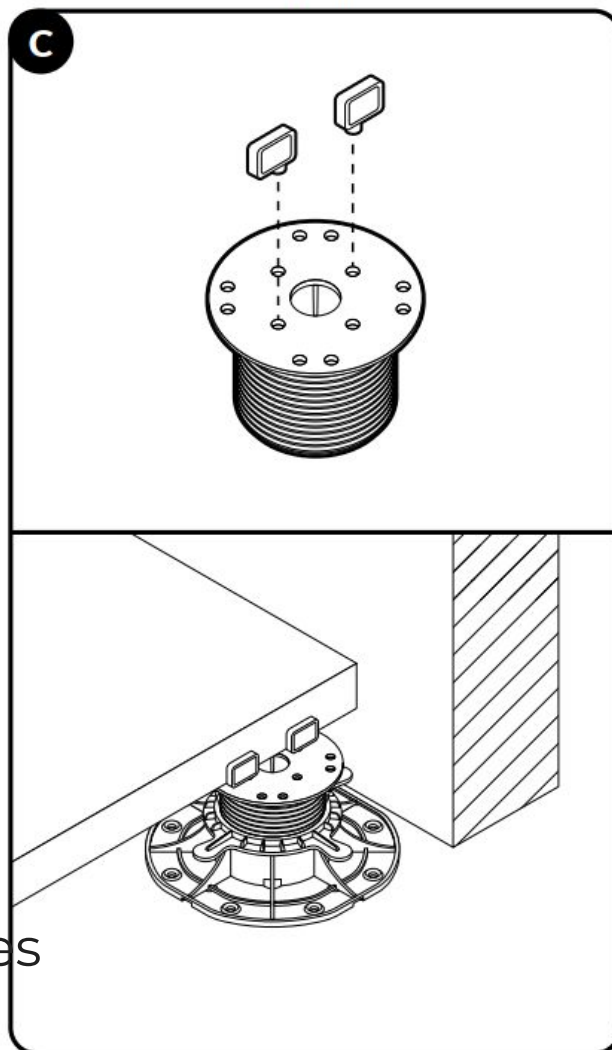
SELF LEVELING HEAD  
GŁOWICA SAMOPOZIOMUJĄCA



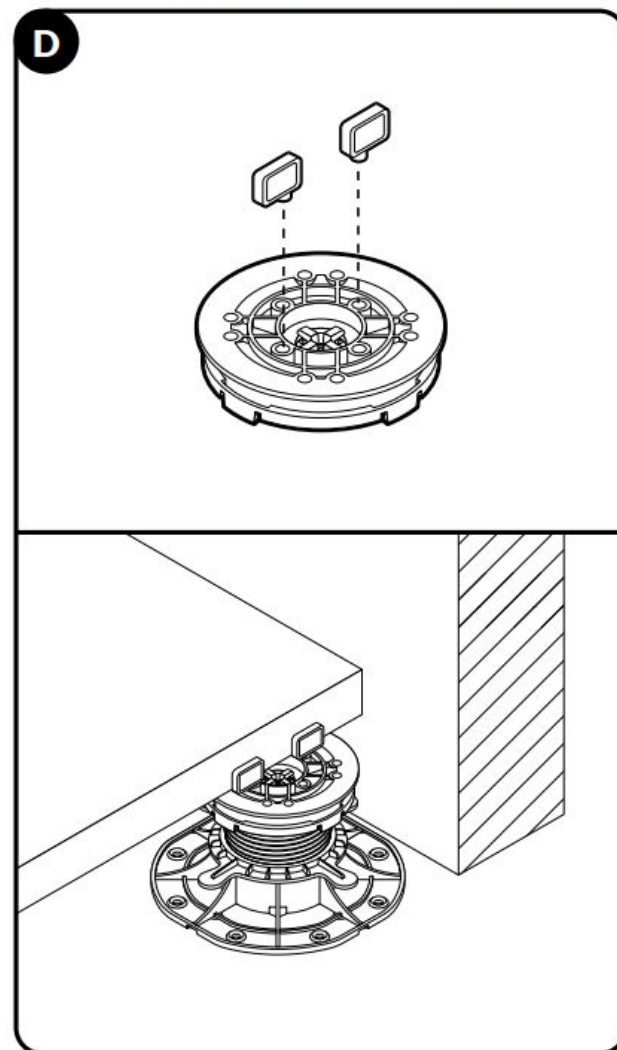
**STANDARD** Series  
accessories

FOR TILES  
GAP SPACERS

SCREW  
ŚRUBA



SELF LEVELING HEAD  
GŁOWICA SAMOPOZIOMUJĄCA



**STANDARD** Series  
accessories



FOR TILES  
SELF LEVELING HEAD



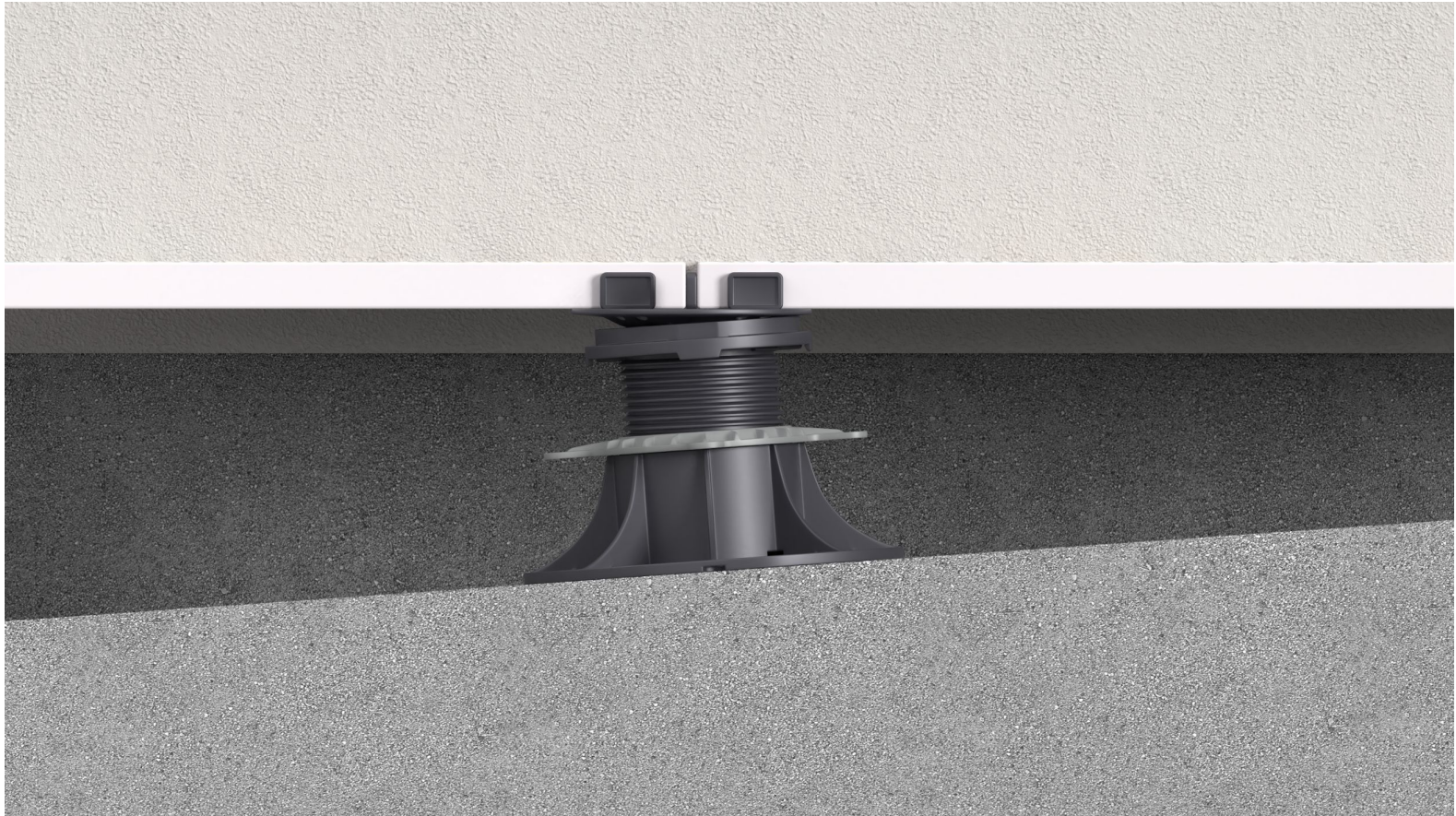
**STANDARD** Series  
accessories

FOR TILES  
SELF LEVELING HEAD



**STANDARD** Series  
accessories

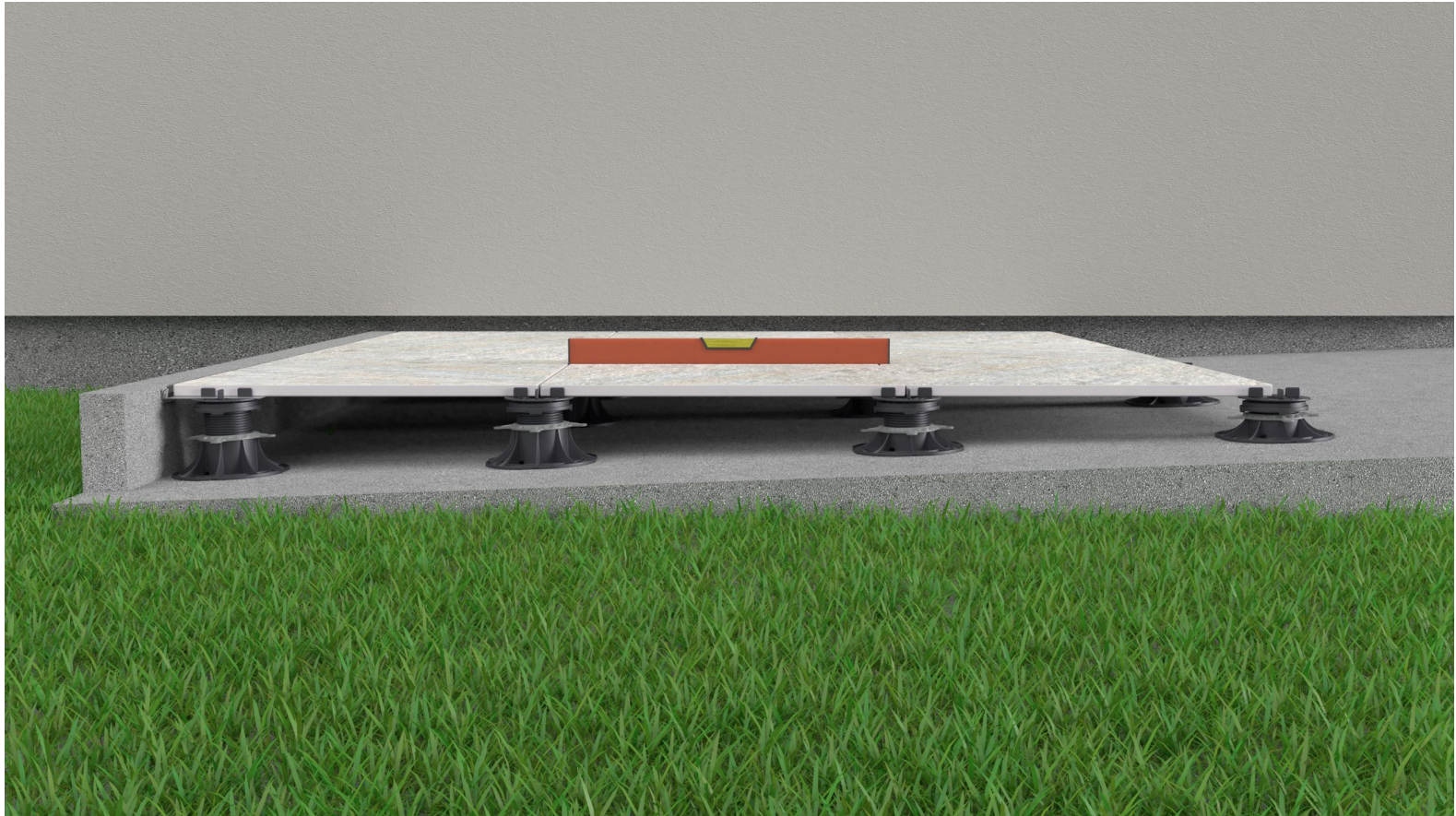
FOR TILES  
SELF LEVELING HEAD



**STANDARD** Series  
accessories



FOR TILES  
SELF LEVELING HEAD



**STANDARD** Series  
accessories

FOR TILES  
RUBBER SHIM  
SH100



**STANDARD** Series  
accessories

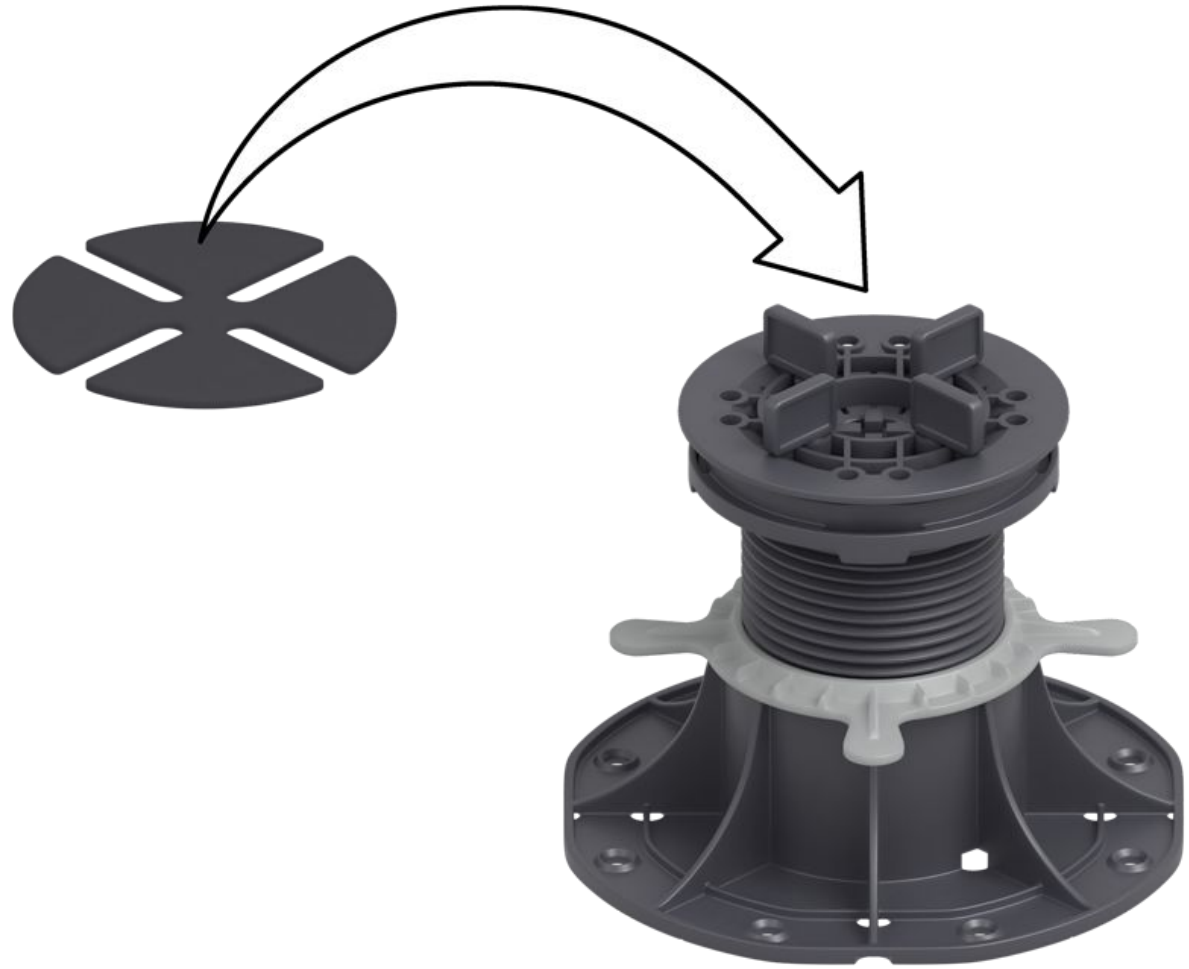
FOR TILES  
RUBBER SHIM  
SH100



**STANDARD** Series  
accessories



FOR TILES  
RUBBER SHIM  
SH100



**STANDARD** Series  
accessories

FOR TILES  
RUBBER SHIM  
SH100



**STANDARD** Series  
accessories

FOR DECKING  
JOIST ADAPTER



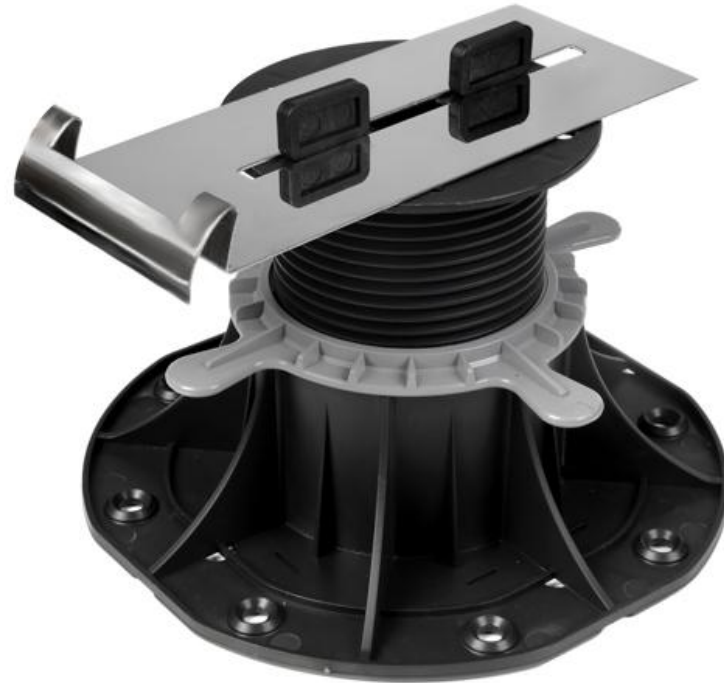
**STANDARD** Series  
accessories

FOR DECKING  
JOIST ADAPTER



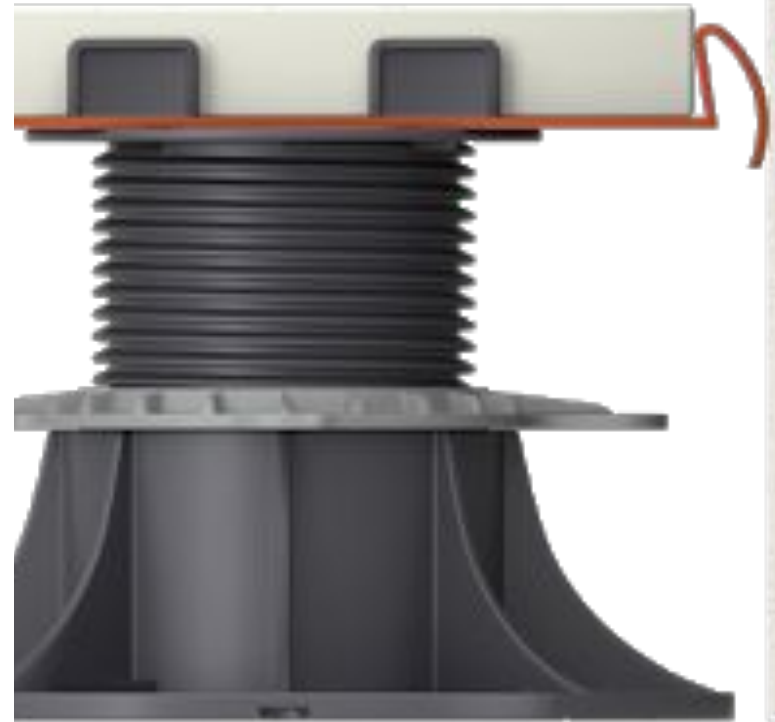
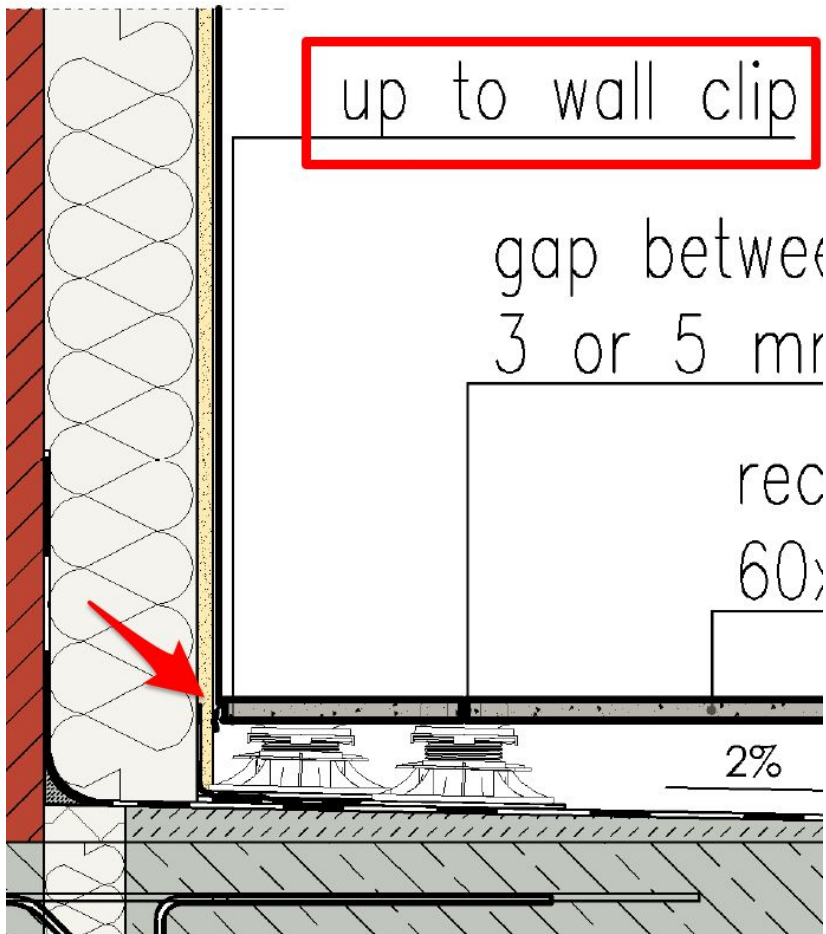
**STANDARD** Series  
accessories





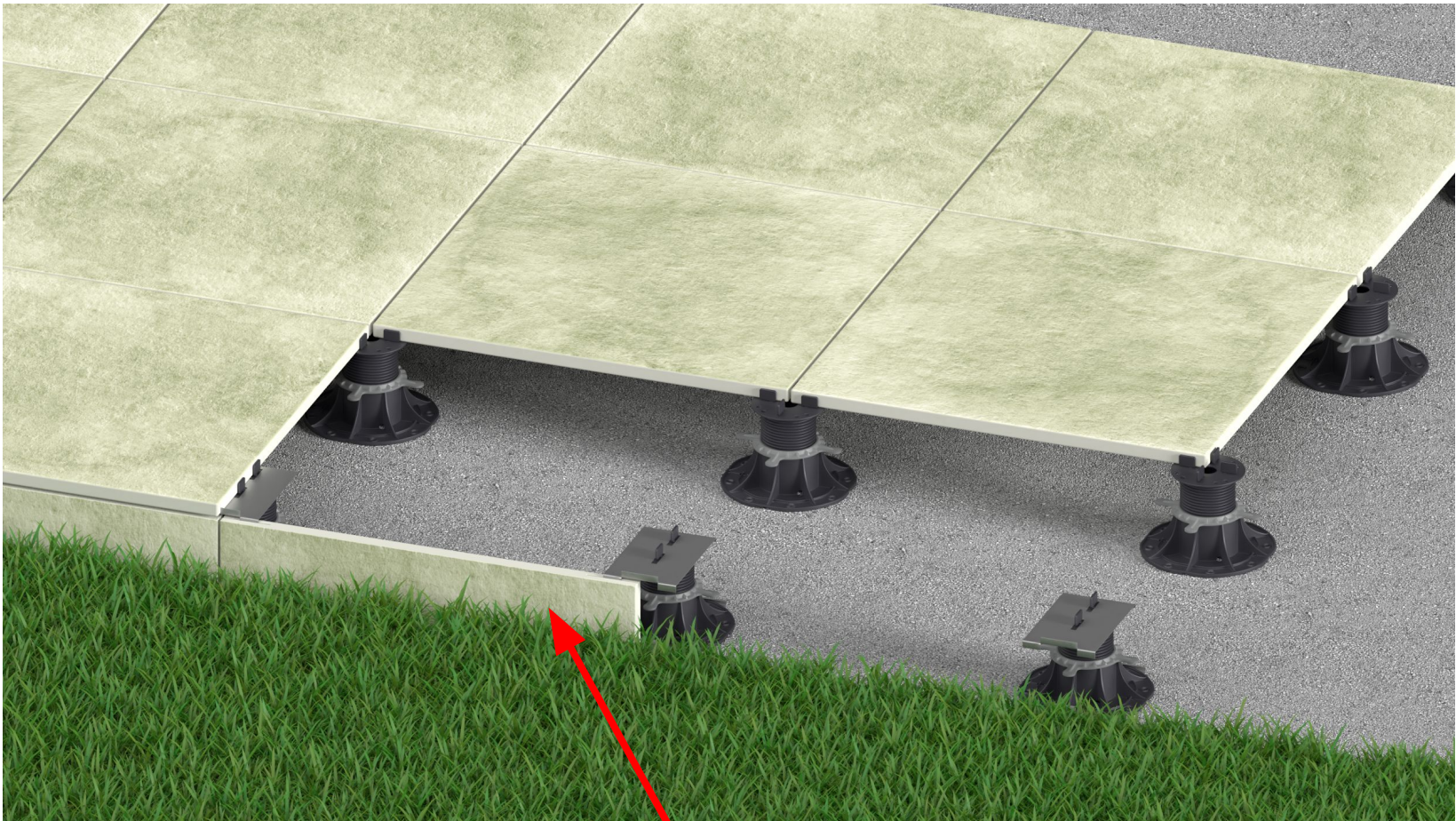
## Raised outdoor pedestal flooring up to wall distance

Terrace floor elements should be moved away from the edge limit, e.g. a wall, to prevent damage. A dilatation clip should be used between the first / last tile and the wall.



## Raised outdoor pedestal flooring up to wall distance

Terrace floor elements should be moved away from the edge limit, e.g. a wall, to prevent damage. A dilatation clip should be used between the first / last tile and the wall.



## AKCESORIA

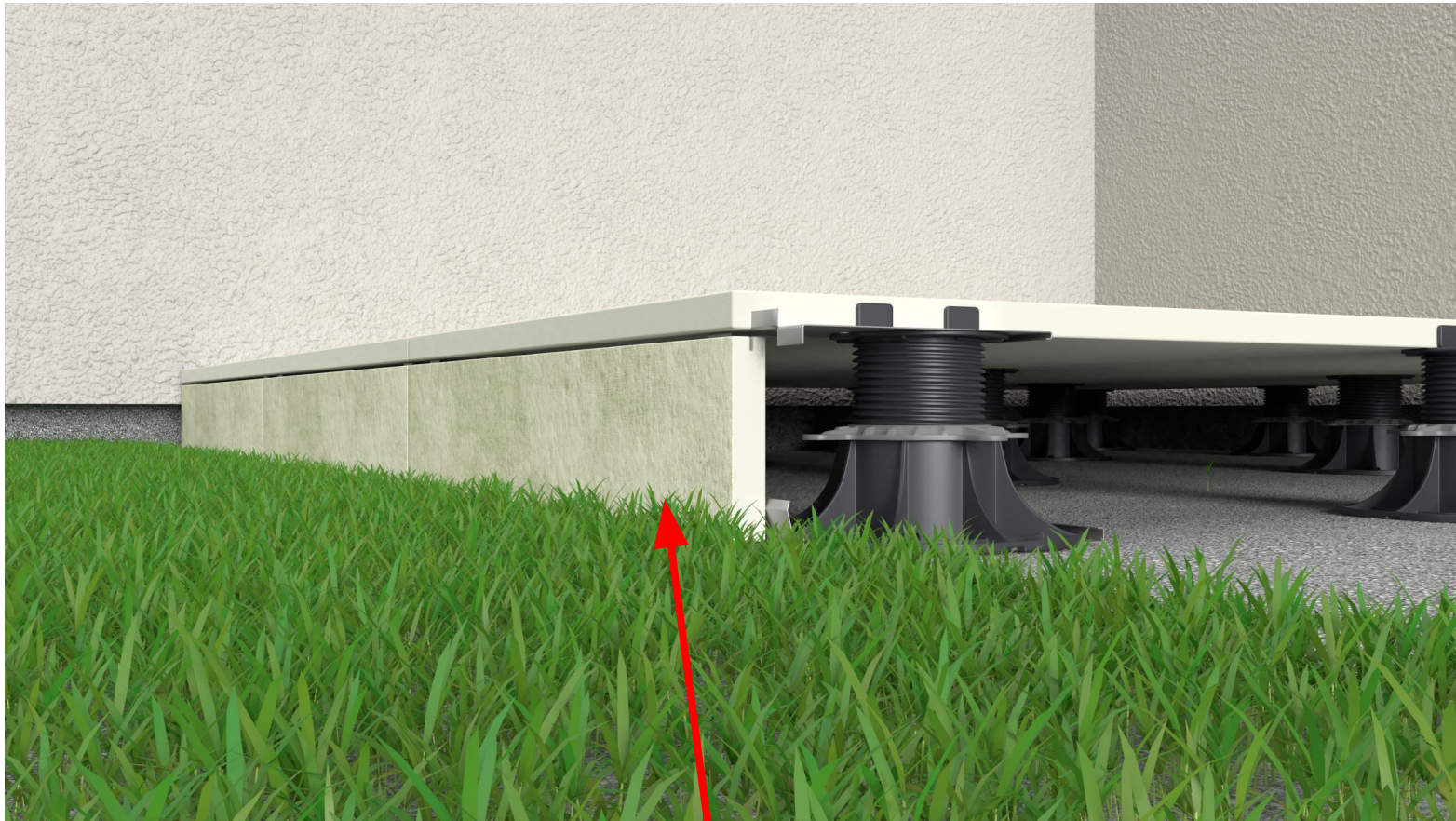
### Vertical closure clips

Upper clip DDPEDU

Lower clip DDPEDL

- To use with a STANDARD Series





## AKCESORIA

### **Vertical closure clips**

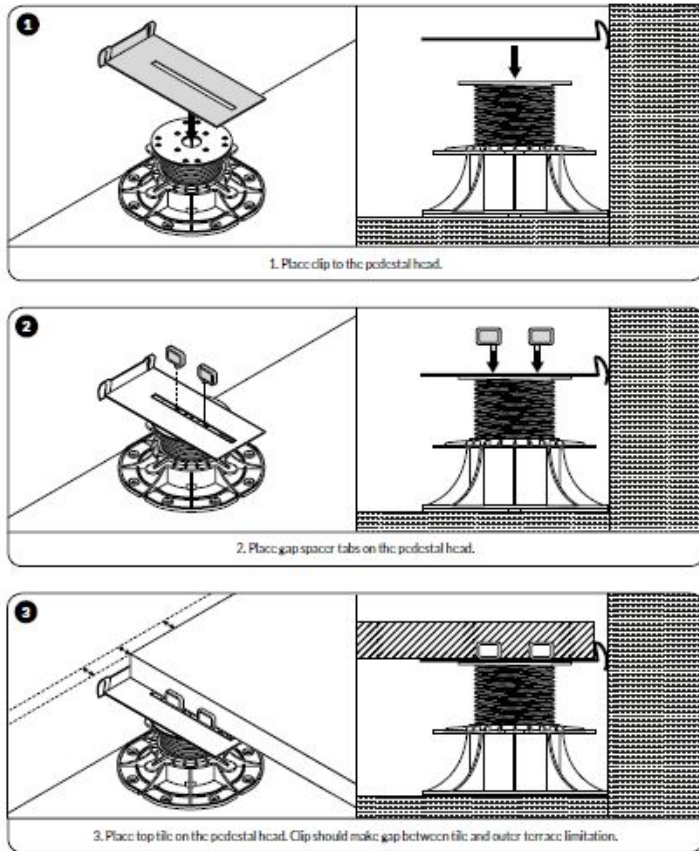
Upper clip DDPEDU

Lower clip DDPEDL

- To use with a **STANDARD Series**



## SPACER EDGE CLIP



Raised outdoor  
pedestal flooring  
up to wall distance

Terrace floor elements should be moved away from the edge limit, e.g. a wall, to prevent damage. A dilatation clip should be used between the first / last tile and the wall.



## Raised outdoor pedestal flooring up to wall distance

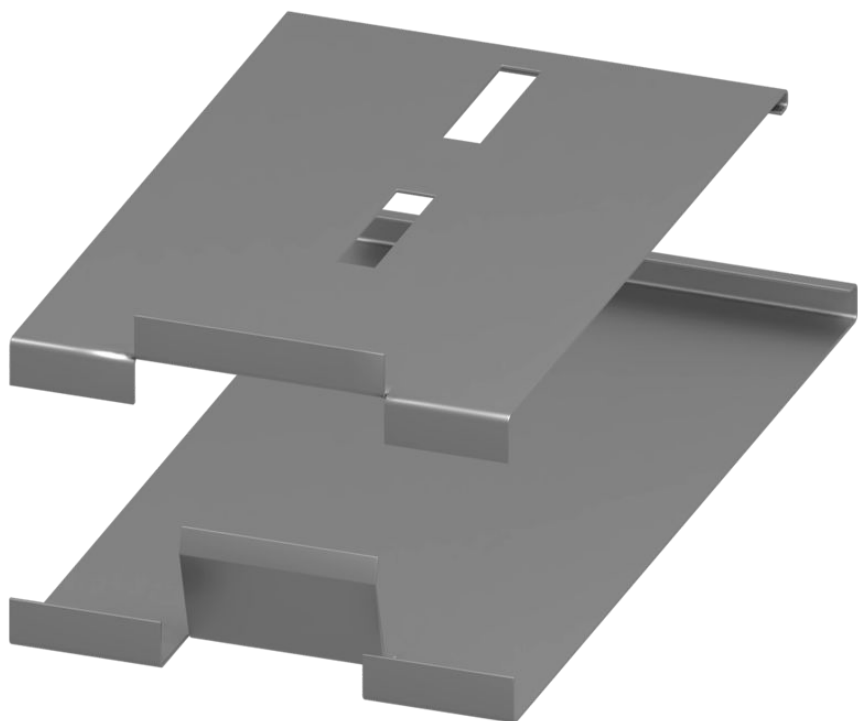
Terrace floor elements should be moved away from the edge limit, e.g. a wall, to prevent damage. A dilatation clip should be used between the first / last tile and the wall.



## Raised outdoor pedestal flooring up to wall distance

Terrace floor elements should be moved away from the edge limit, e.g. a wall, to prevent damage. A dilatation clip should be used between the first / last tile and the wall.





## AKCESORIA

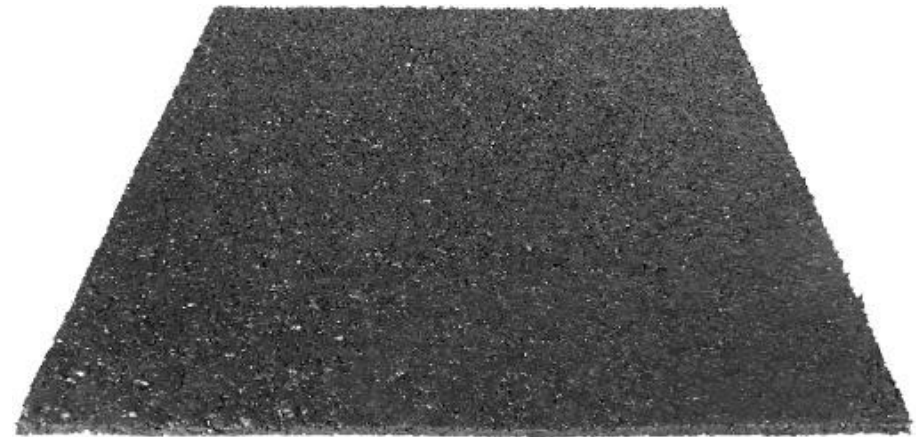
### Vertical closure clips

Upper clip DDPEDU

Lower clip DDPEDL

- To use with a STANDARD Series





## Raised outdoor pedestal flooring water membrane protection

If it is possible to damage the water membrane insulation, it is recommended to use SBR granulate pads underlays.



## Raised outdoor pedestal flooring water membrane protection

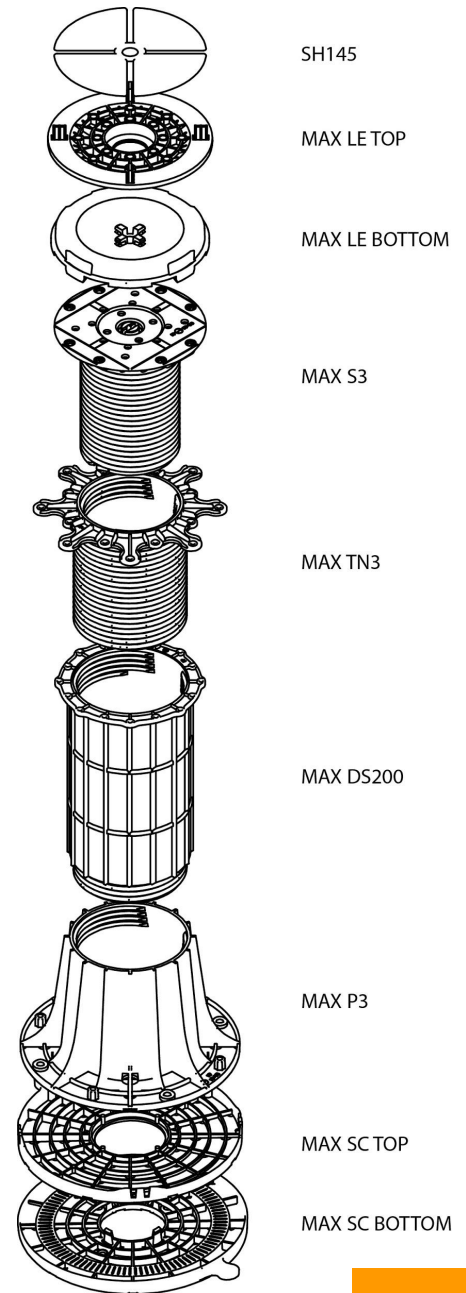
If it is possible to damage the water membrane insulation, it is recommended to use SBR granulate pads underlays.



**MAX** Series  
Professional



# MAX Series Professional





Spacers



Screw



Screwnut



Base

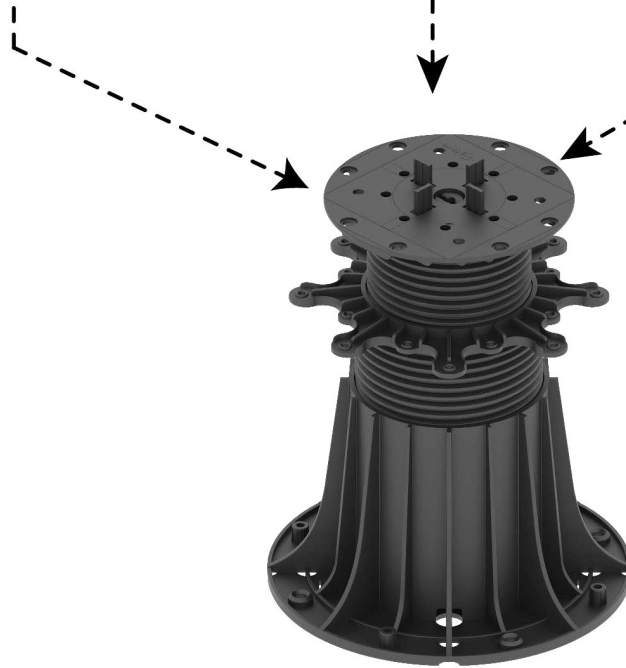
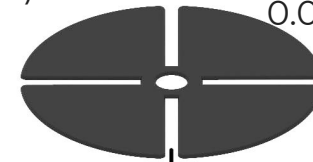
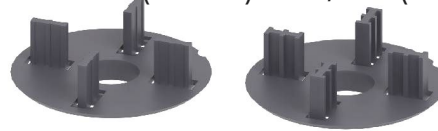
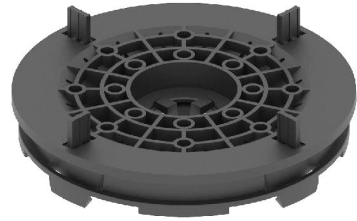


**MAX** Series  
elements

Self leveling head MAX LE

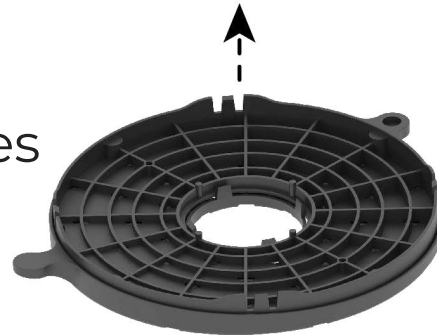
Spacer discs 1/8" (3mm) or 3/16" (5mm)

Rubber shim SH 145  
0.05" (1,5 mm)



Joist adapter AD

**MAX** Series assembly and connection with accessories

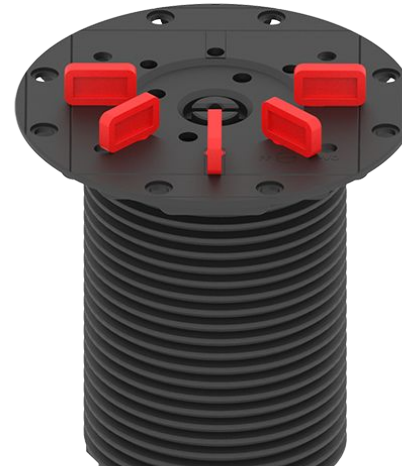


Slope corrector MAX SC

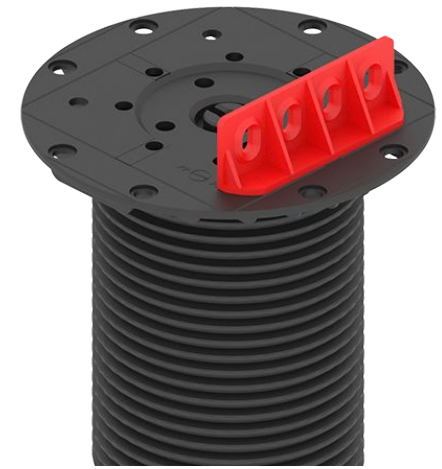
Gap spacer discs



Individual spacer tabs



Joist adapter AD



**MAX** Series  
universal pedestal head



**MAX 045-075**- 1.77-2.95" Inch  
(45-75 mm)

- Screw, Screwnut, Base, Cross spacers
- Smooth height regulation
- Rubber shim SH145 0.059" (1,5 mm)
- Self leveling head MAX LE 6% 5/8 inch (16 mm)
- Base slope corrector 8% 5/8 inch (16 mm)





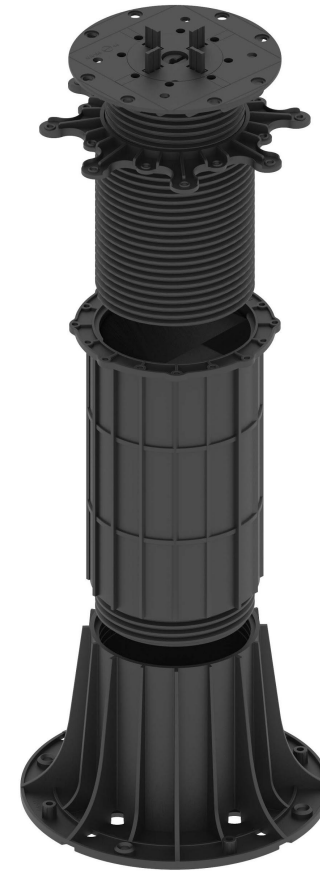
**MAX 075-150** - 2.95-5.9''' Inch  
(75-150 mm)

- Screw, Screwnut, Base, Cross spacers
- Smooth height regulation
- Rubber shim SH145 0.059" (1,5 mm)
- Self leveling head MAX LE 6% 5/8 inch (16 mm)
- Base slope corrector 8% 5/8 inch (16 mm)



**MAX 150-350** - 5.9-13.77" Inch  
(150-350 mm)

- Screw, Screwnut, Base, Cross spacers
- Smooth height regulation
- Rubber shim SH145 0.059" (1,5 mm)
- Self leveling head MAX LE 6% 5/8 inch (16 mm)
- Base slope corrector 8% 5/8 inch (16 mm)



**MAX 350-550** - 13.77"-21.65" Inch  
(350-550mm) 1 coupler

**MAX 550-750** - 21.65"-29.52" Inch  
(550-750mm) 2 couplers

**MAX 750-950** - 21.65"-37.40" Inch  
(750-950mm) 3 couplers

- Screw, Screwnut, Base, Cross spacers
- Smooth height regulation
- Rubber shim SH145 0.059" (1,5 mm)
- Self leveling head MAX LE 6% 5/8 inch (16 mm)
- Base slope corrector 8% 5/8 inch (16 mm)



**MAX 350-550** - 13.77"-21.65" Inch  
(350-550mm) 1 coupler

**MAX 550-750** - 21.65"-29.52" Inch  
(550-750mm) 2 couplers

**MAX 750-950** - 21.65"-37.40" Inch  
(750-950mm) 3 couplers

- Screw, Screwnut, Base, Cross spacers
- Smooth height regulation
- Rubber shim SH145 0.059" (1,5 mm)
- Self leveling head MAX LE 6% 5/8 inch (16 mm)
- Base slope corrector 8% 5/8 inch (16 mm)





**MAX 350-550** - 13.77"-21.65" Inch  
(350-550mm) 1 coupler

**MAX 550-750** - 21.65"-29.52" Inch  
(550-750mm) 2 couplers

**MAX 750-950** - 21.65"-37.40" Inch  
(750-950mm) 3 couplers

Raised outdoor pedestal terrace flooring part 1 slide 95

- Screw, Screwnut, Base, Cross spacers
- Smooth height regulation
- Rubber shim SH145 0.059" (1,5 mm)
- Self leveling head MAX LE 6% 5/8 inch (16 mm)
- Base slope corrector 8% 5/8 inch (16 mm)

[www.ddpedestals.eu](http://www.ddpedestals.eu)

**MAX Series**



**MAX SELF LEVELING HEAD**  
MAX LE 6% 0.62" Inch (16 mm)

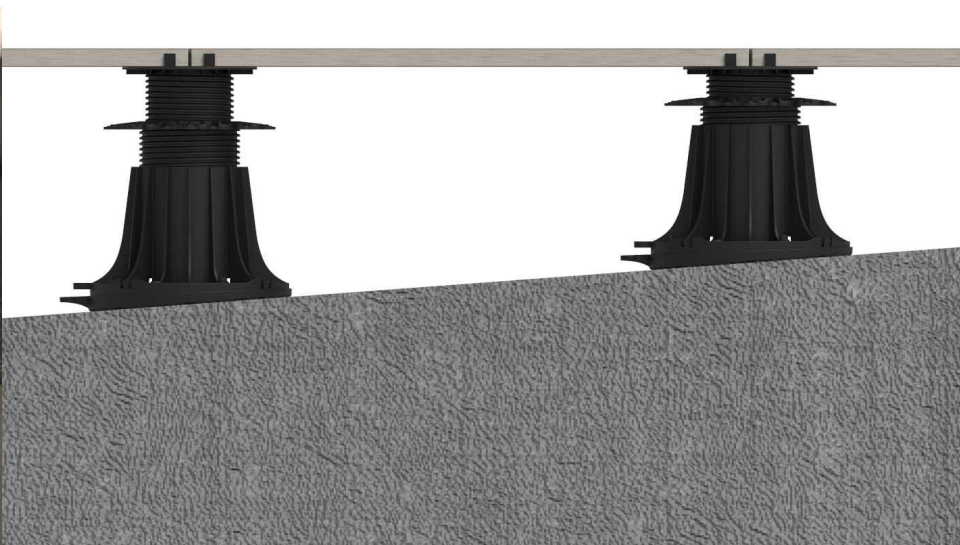
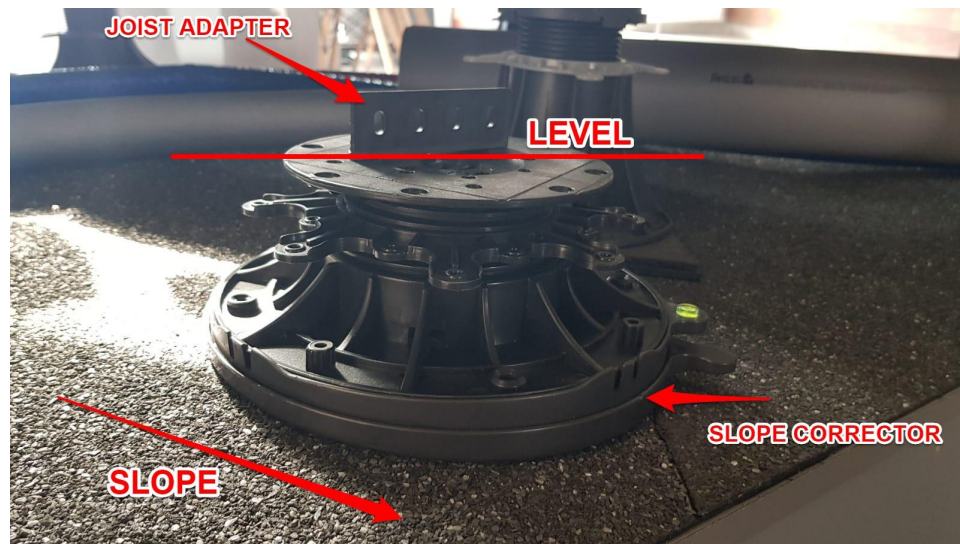
- Consists of TOP and BOTTOM part
- Built in gap spacer 1/8" (3 mm)
- Possible to use with separate gap spacers 3/16" (5 mm)
- Compensate slope up to 6%



## BASE SLOPE CORRECTOR

MAX SC 8% 0.62" Inch (16 mm)

- Consists of TOP and BOTTOM part
- Compensate slope up to 8%



## BASE SLOPE CORRECTOR

MAX SC 8% 0.62" Inch (16 mm)

- Consists of TOP and BOTTOM part
- Compensate slope up to 8%





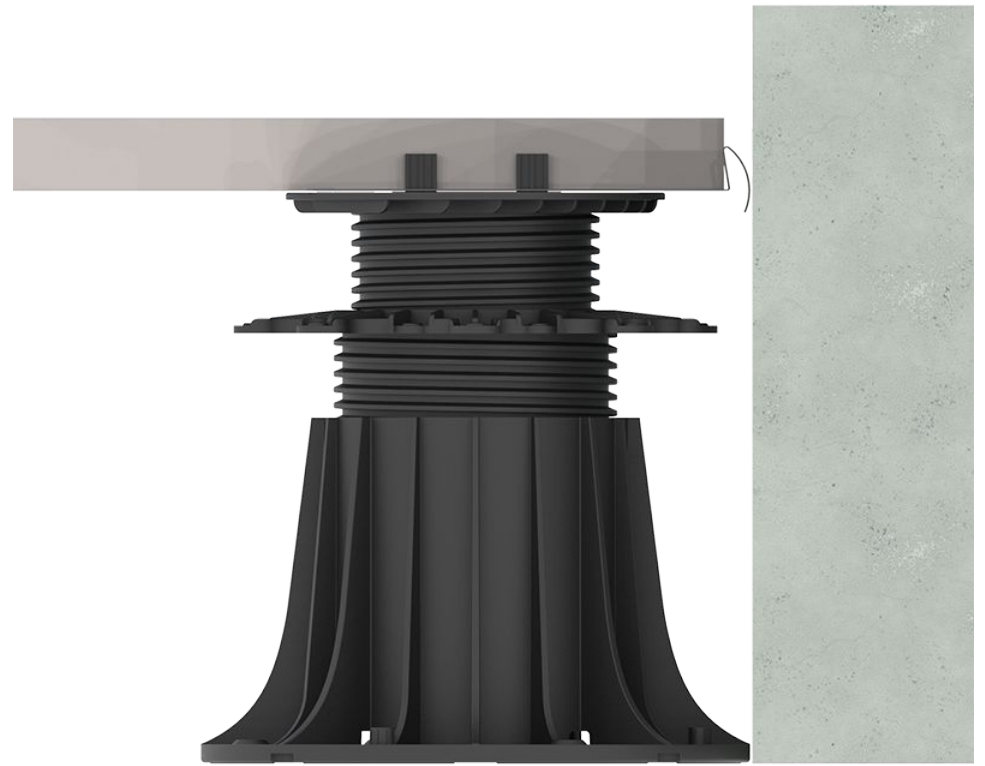
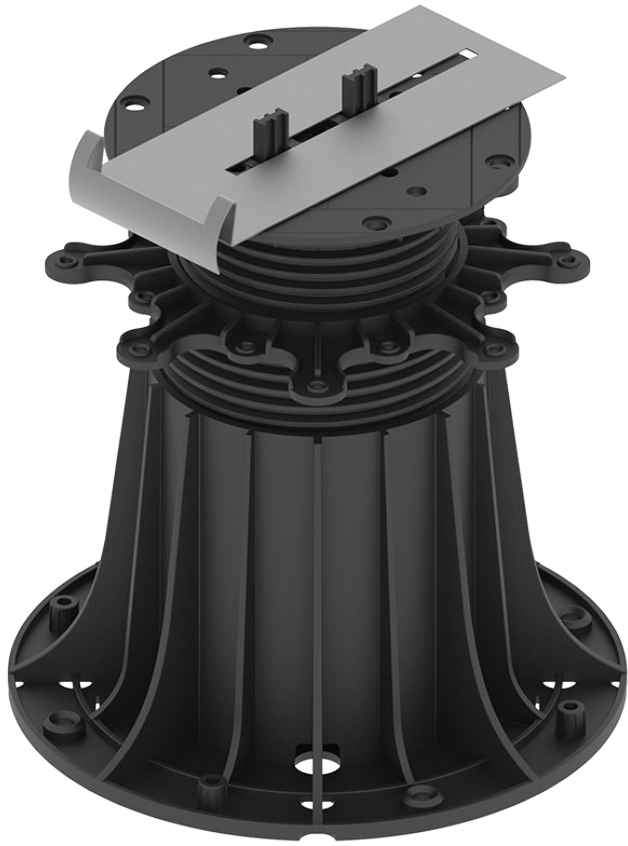
<https://youtu.be/POhH1JKUChQ>

## MAX FIXING TO GROUND

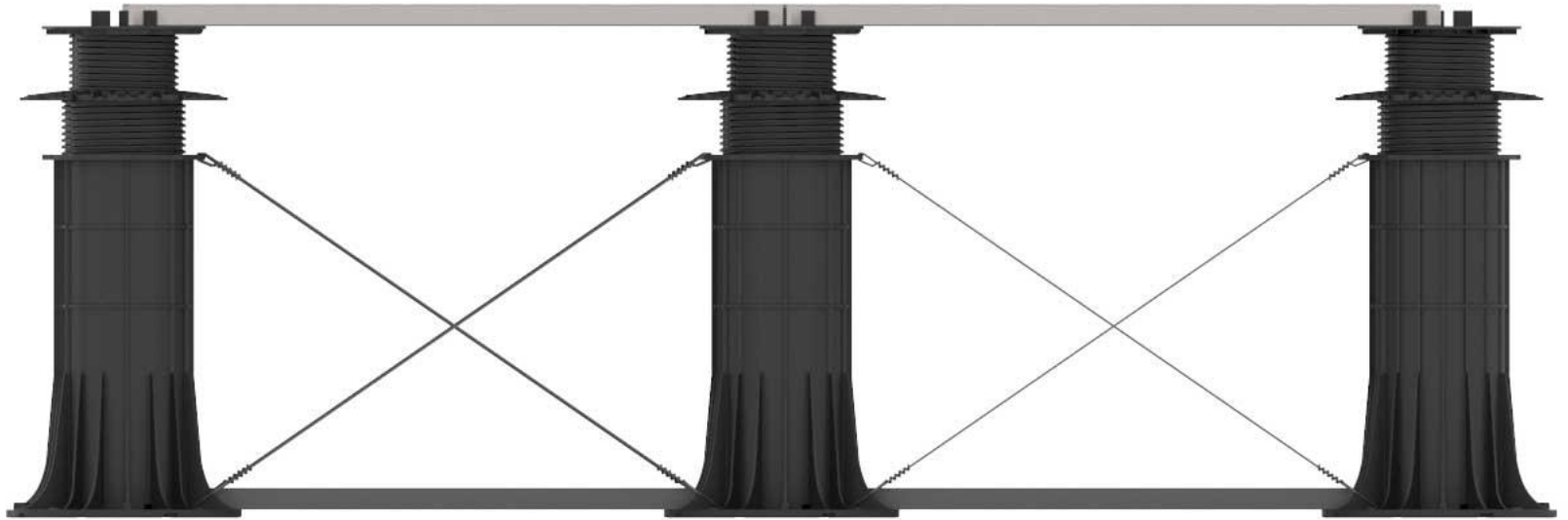


[https://youtu.be/sLM6WI\\_03aI](https://youtu.be/sLM6WI_03aI)

## **MAX** MANUAL KEY TOOL FOR FINAL HEIGHT ADJUSTMENTS



## MAX UP TO WALL CLIP

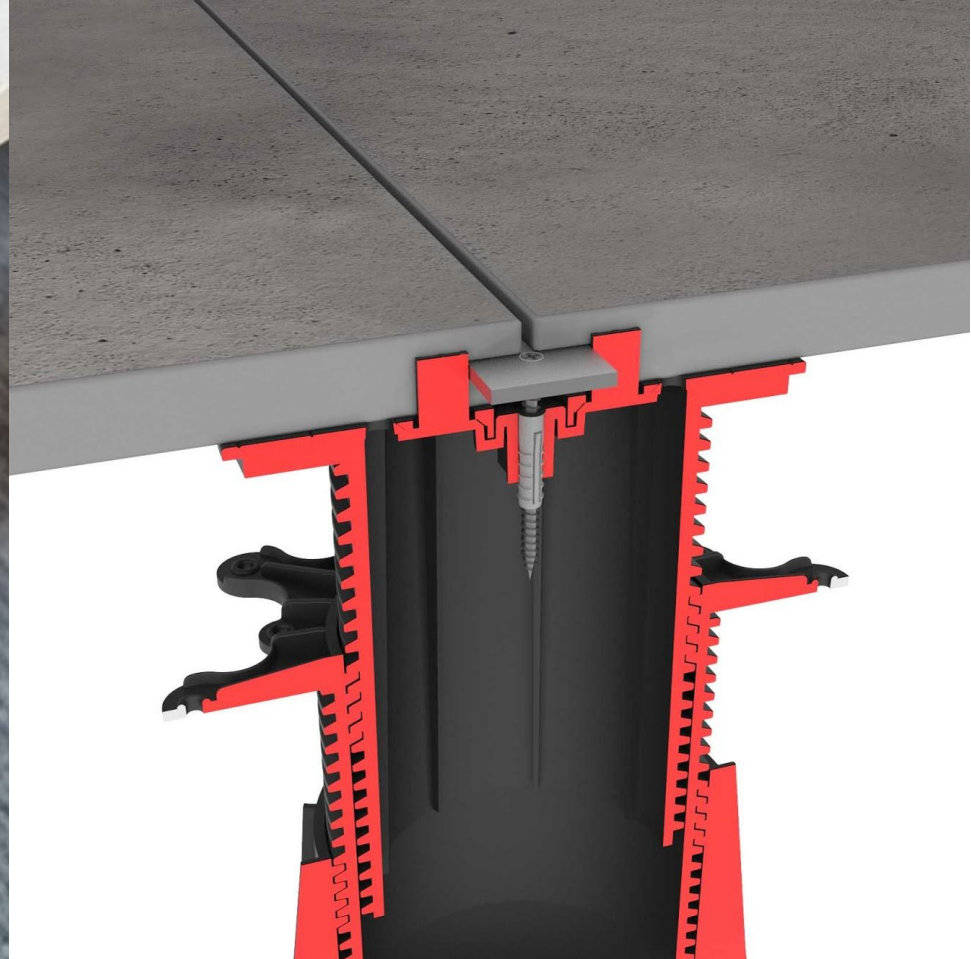
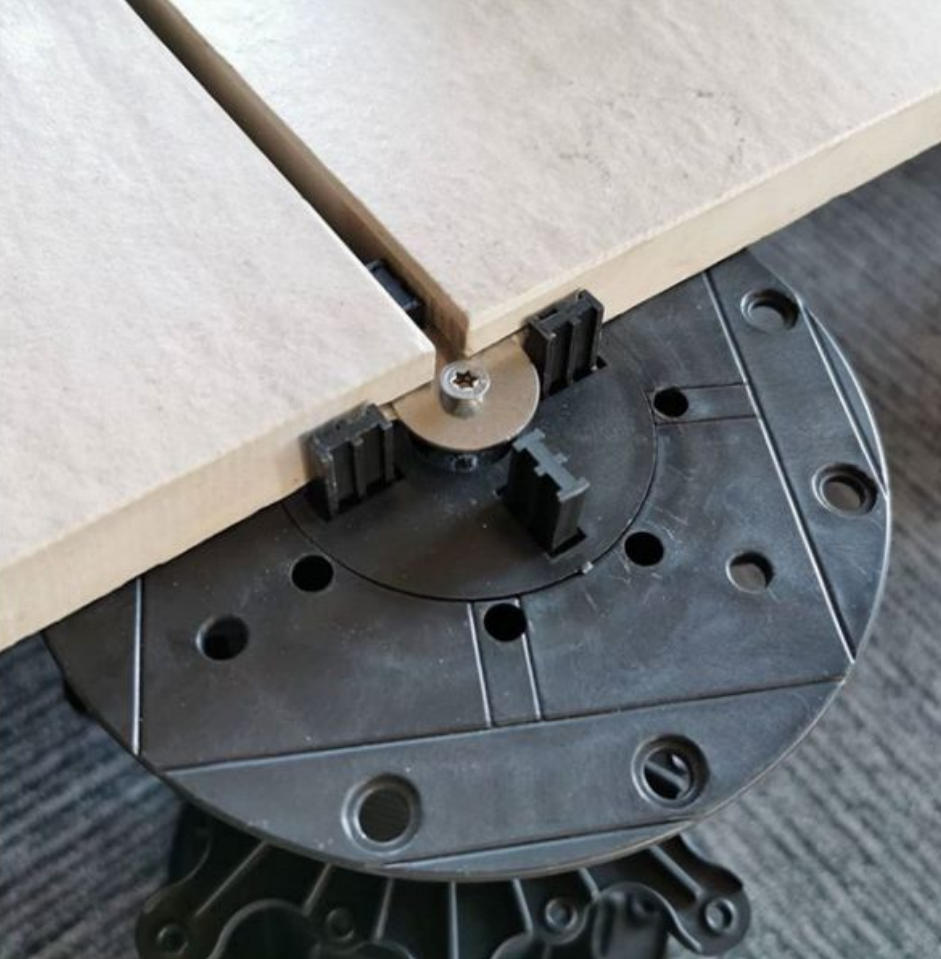


## MAX BRACE CONNECTION





## MAX BRACE CONNECTION



## MAX WINDPROOF





## Adjustable pedestals **DD PEDESTALS** **Accessories**



## ACCESSORIES

### GAP SPACERS

L3 - 3 mm 1/8 "

L5 - 5 mm 13/64"

- Can be used with all pin holes of DD PEDESTALS
- Allows to create every tiles layout on terrace





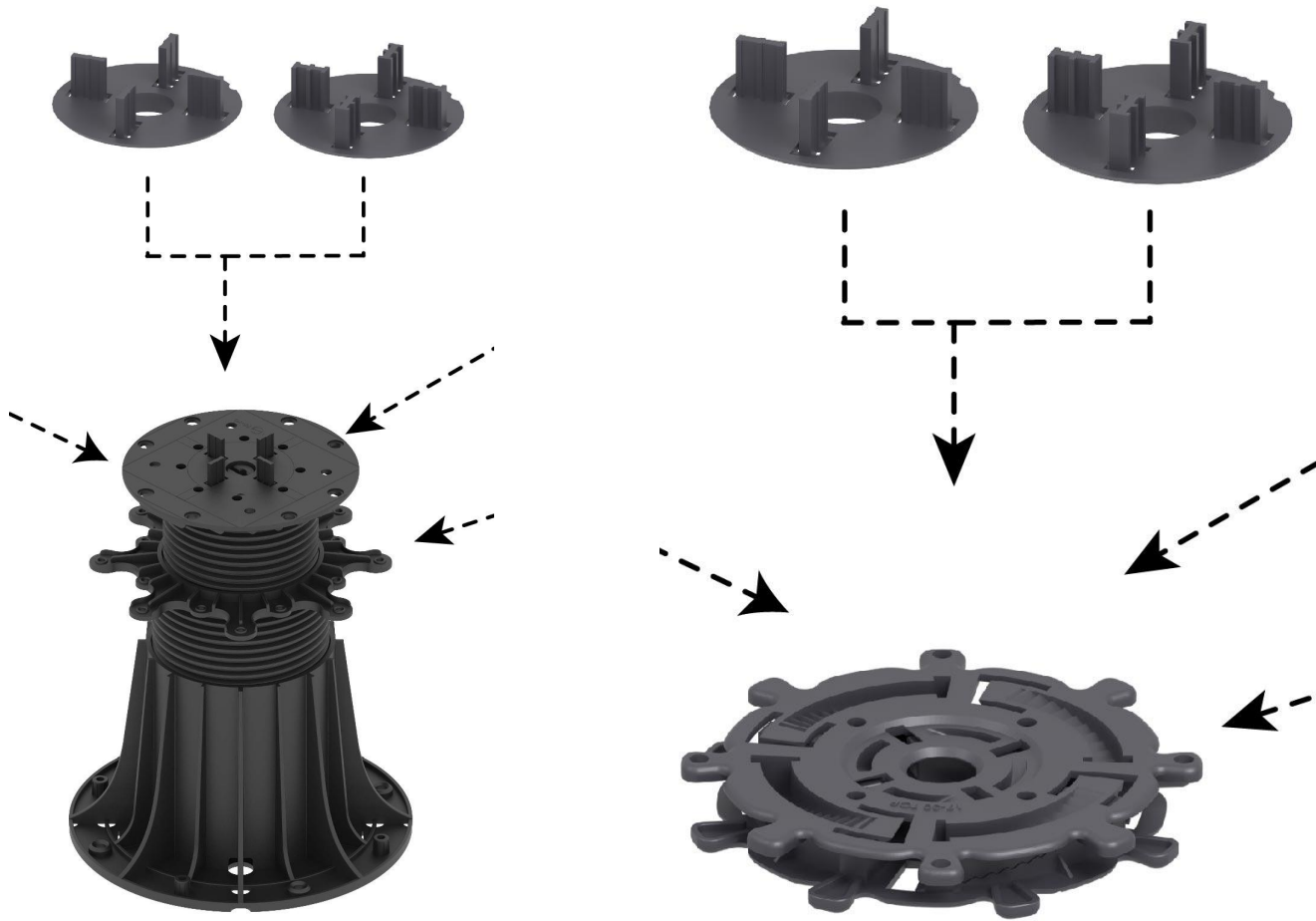
## ACCESSORIES

### GAP SPACERS

L3 - 3 mm  $\frac{1}{8}$  "

L5 - 5 mm  $\frac{13}{64}$  "

- Can be used with all pin holes of DD PEDESTALS
- Allows to create every tiles layout on terrace



## ACCESSORIES

**Spacer discs** ( rotating discs )

D3 - 3 mm

D5 - 5 mm

- Can be used with SPIRAL and MAX Series





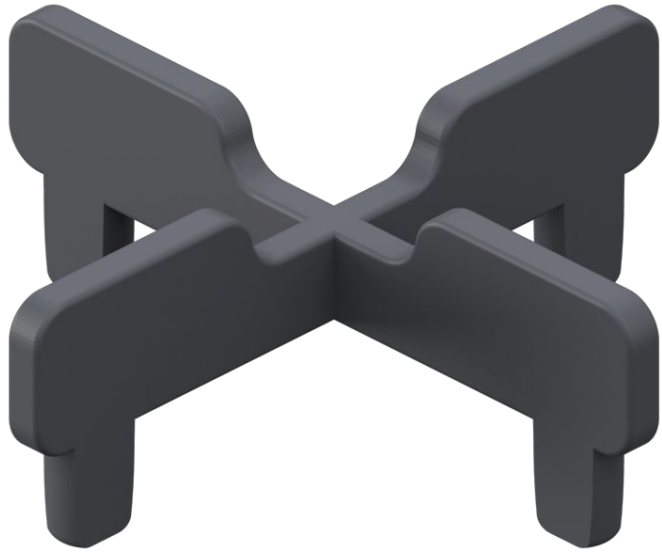
## ACCESSORIES

**Spacer discs** ( rotating discs )

D3 - 3 mm

D5 - 5 mm

- Can be used with **SPIRAL** and **MAX Series**



## ACCESSORIES

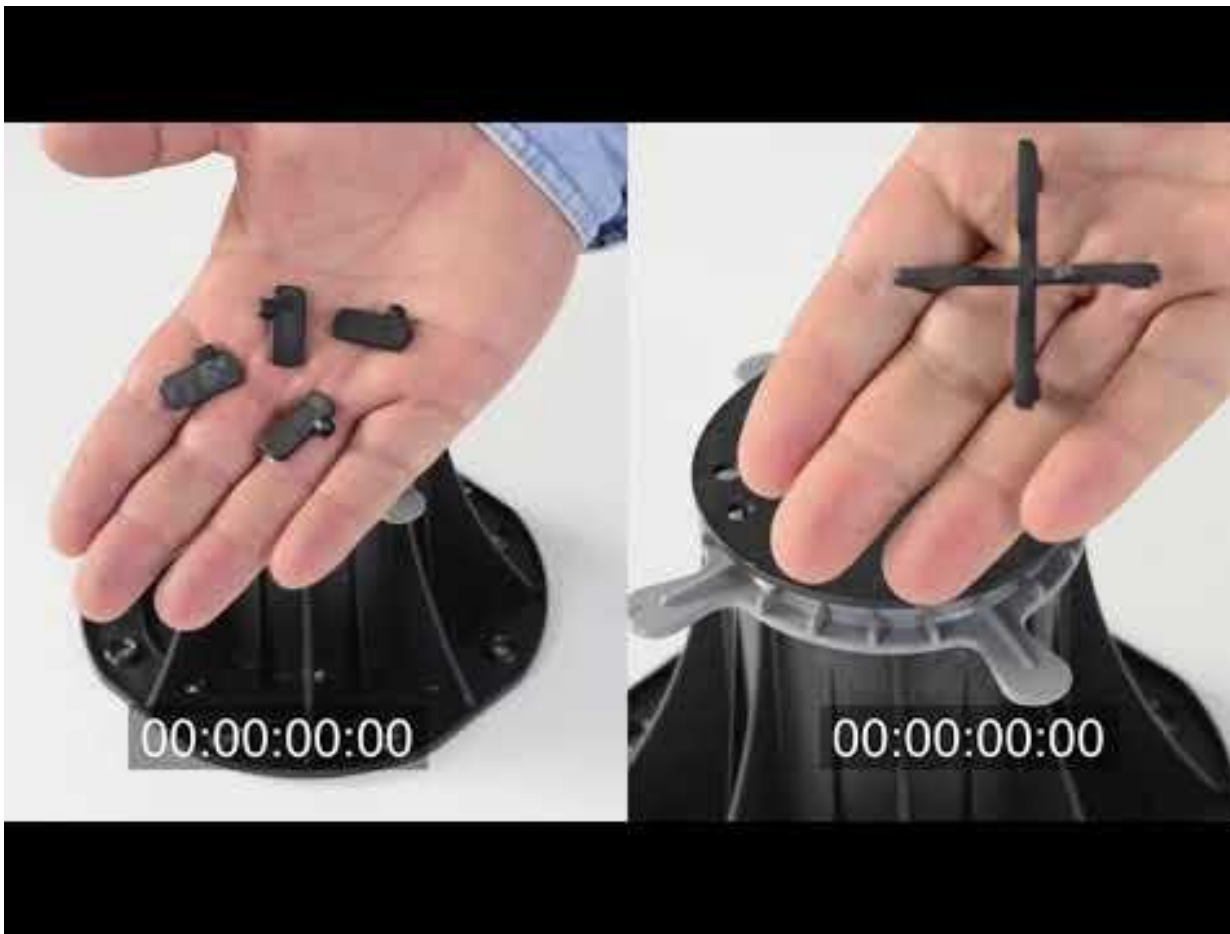
### Cross spacers

K3 - 3 mm

K5 - 5 mm

- Speed up assembly process
- Can be used with STANDARD Series





## ACCESSORIES

### Cross spacers

K3 - 3 mm

K5 - 5 mm

- Speed up assembly process
- Can be used with STANDARD Series



## ACCESSORIES

### Joist adapter

AD

- Joist adapter for mounting decking joists as wood, WPC, aluminium.
- Can be used with all DD PEDESTALS adjustable pedestals.



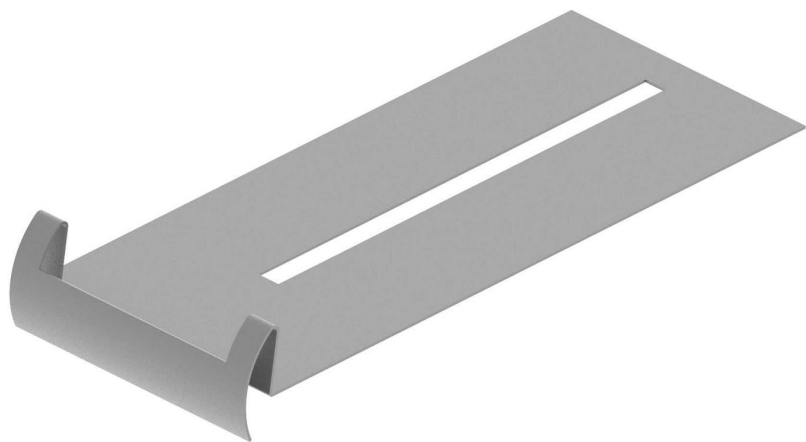
## ACCESSORIES

### Joist adapter

AD

- Joist adapter for mounting decking joists as wood, WPC, aluminium.
- Can be used with all DD PEDESTALS adjustable pedestals.





## ACCESSORIES

### Up to wall distance clip

DDPWA

- To use with every DD PEDESTALS product. Allows to set a distance between terrace and a wall.





## ACCESSORIES

### Protection rubber pad SBR

SBR 200

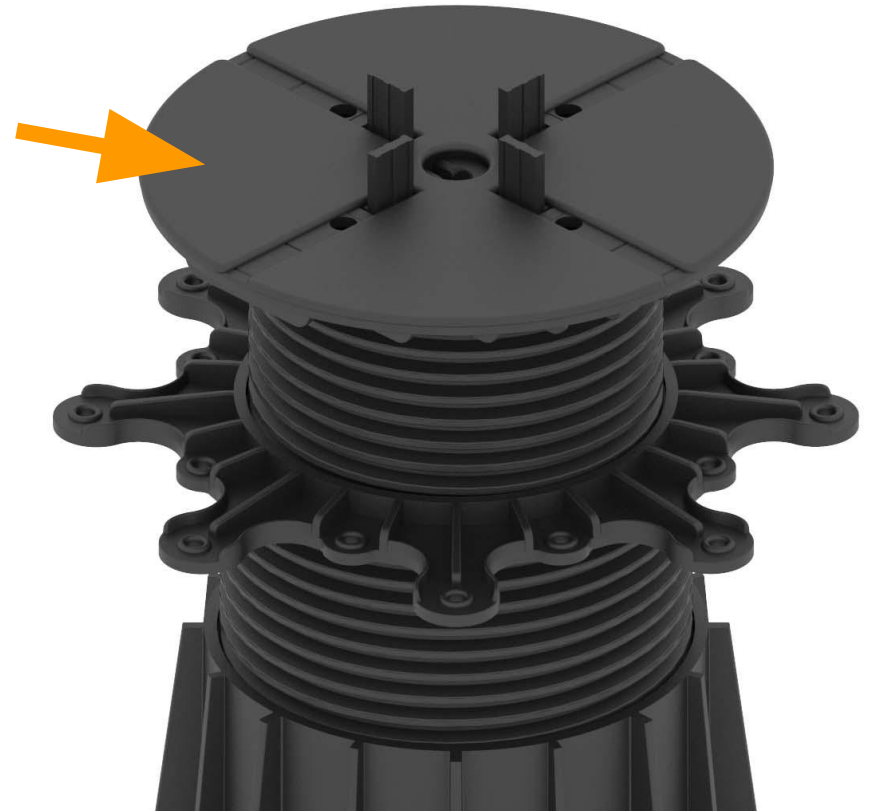
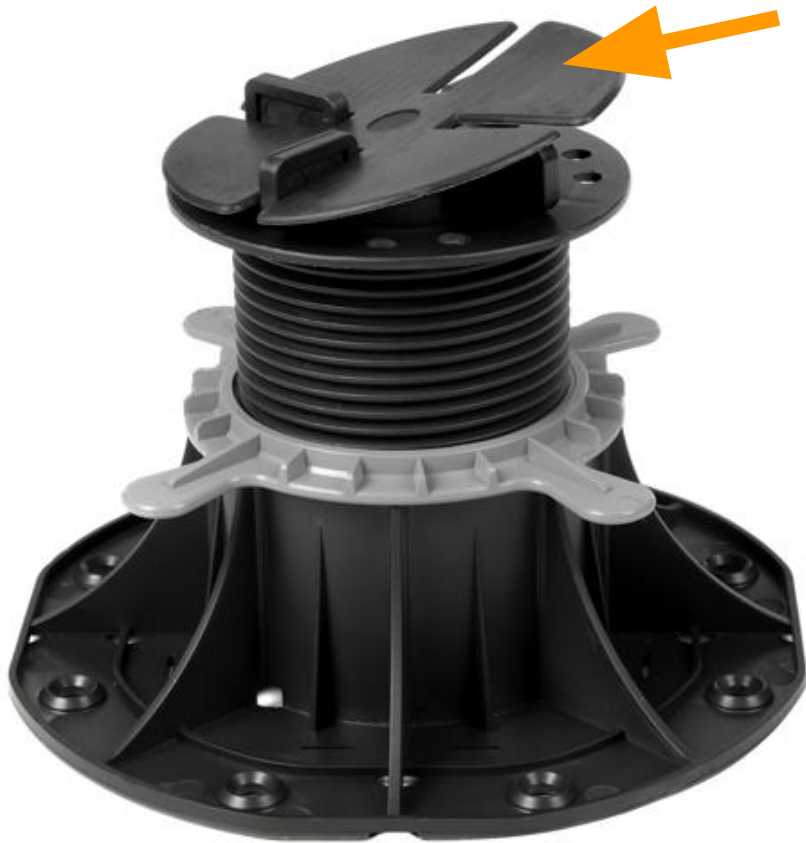
- To use with every DD PEDESTALS product for additional protection for water membrane etc.



## ACCESSORIES

### **Protection rubber pad SBR** SBR 200

- To use with every DD PEDESTALS product for additional protection for water membrane etc.



## ACCESSORIES

### Rubber shims

SH100

SH145

SH175

- To use with every DD PEDESTALS products





## ACCESSORIES

### Rubber shims

SH100

SH145

SH175

- To use with every DD PEDESTALS products





## ACCESSORIES

### Drill drive bit tool

- Bit tool for a drill driver can speed up process of adjustable pedestals assembly and height regulation



## ACCESSORIES

### Drill drive bit tool

- Bit tool for a drill driver can speed up process of adjustable pedestals assembly and height regulation

# PEDESTALS FOR PAVERS, TILES AND DECKING

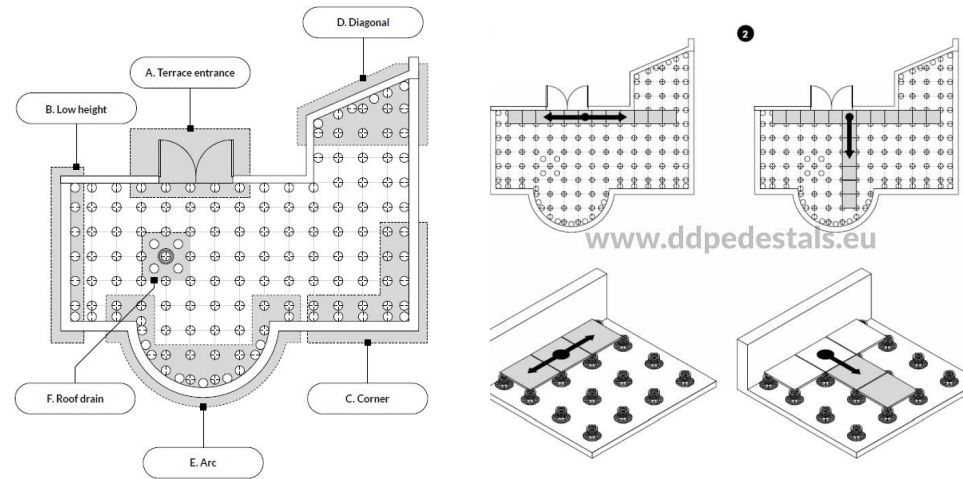
Raised outdoor flooring. Floating  
decks with adjustable height plastic  
pedestals. Support pedestals system.

Part 3  
Installation

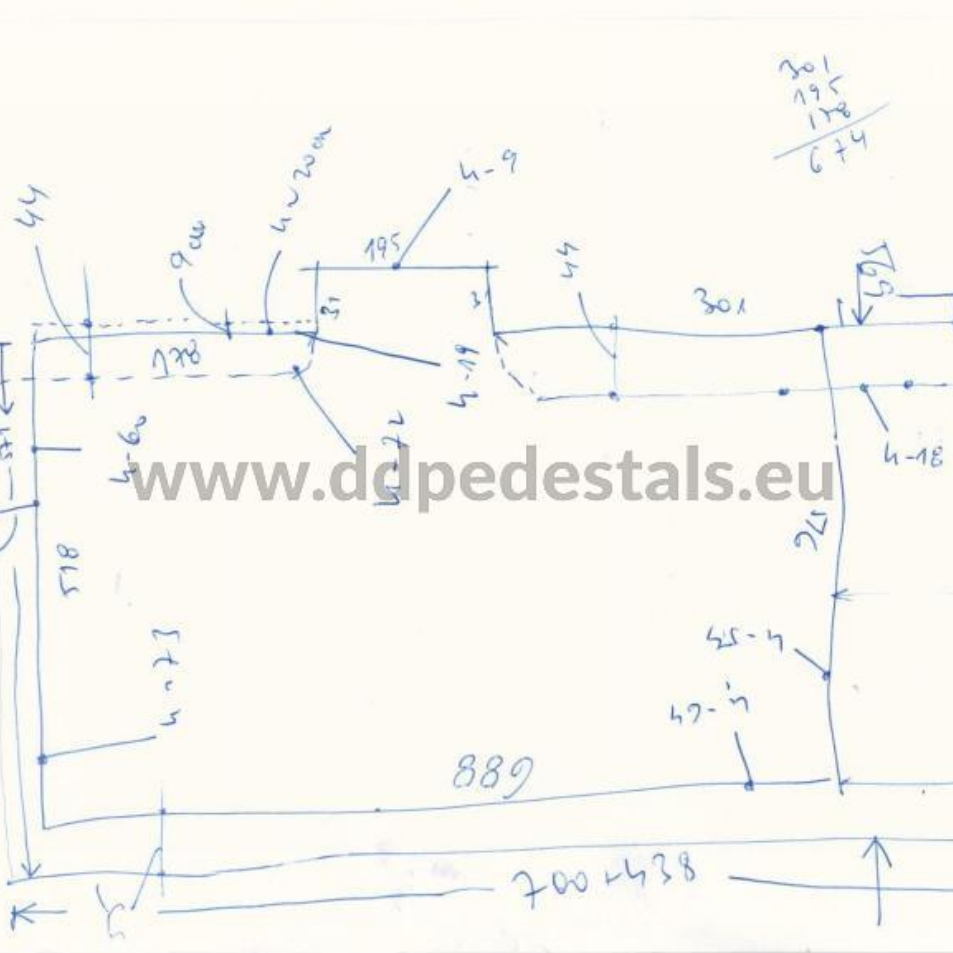


## Raised outdoor pedestal flooring installation

Step-by-step instructions for installing a raised outdoor pedestal flooring terrace provide valuable advice and tips on what to look for and before and during installation of a ventilated terrace.

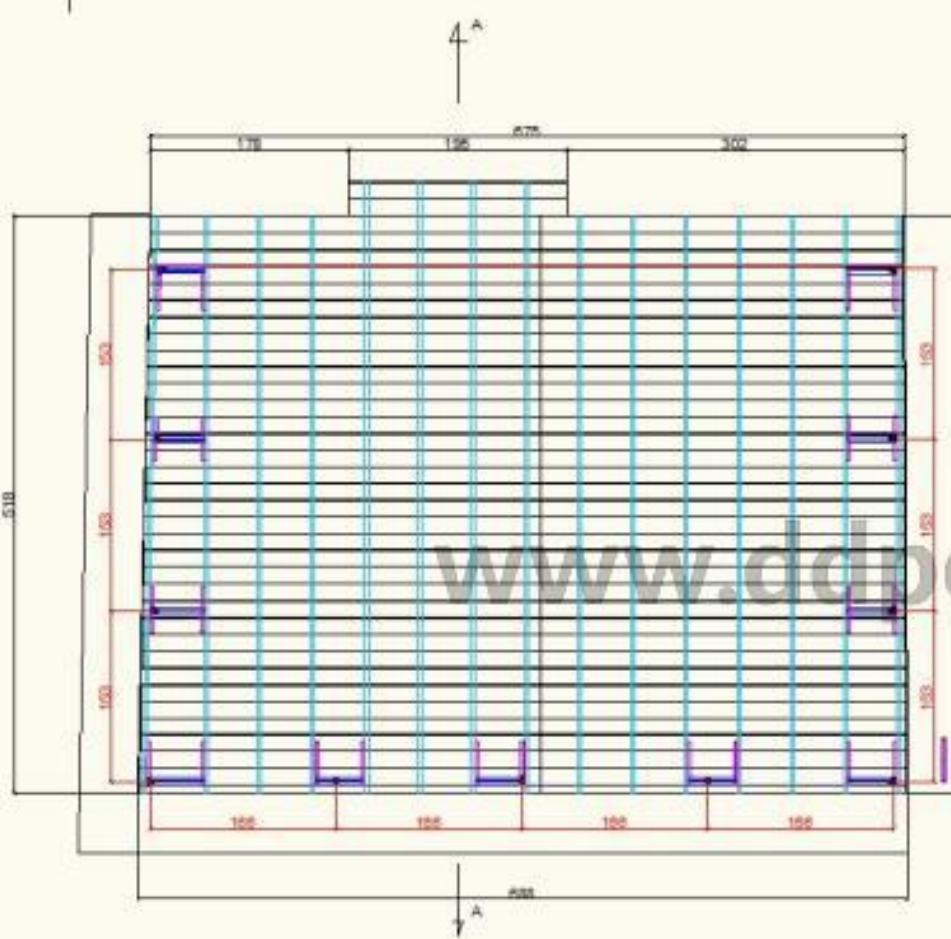






## Raised outdoor pedestal flooring measurements inventory

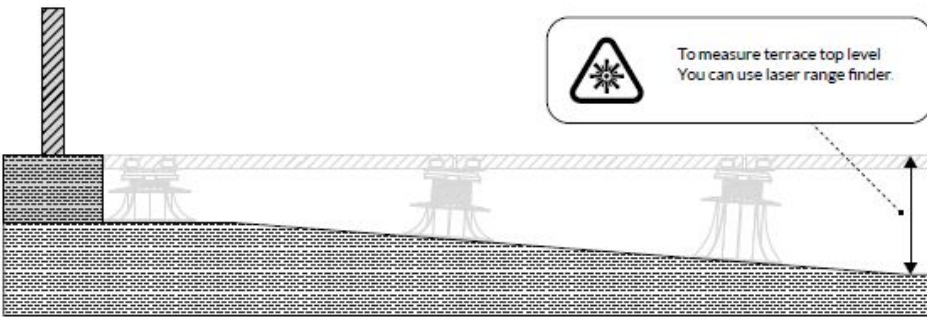
First, make an inventory (measurement) of the terrace that will be needed to calculate the amount of materials needed to make a raised outdoor pedestal flooring terrace.



## Raised outdoor pedestal flooring project design

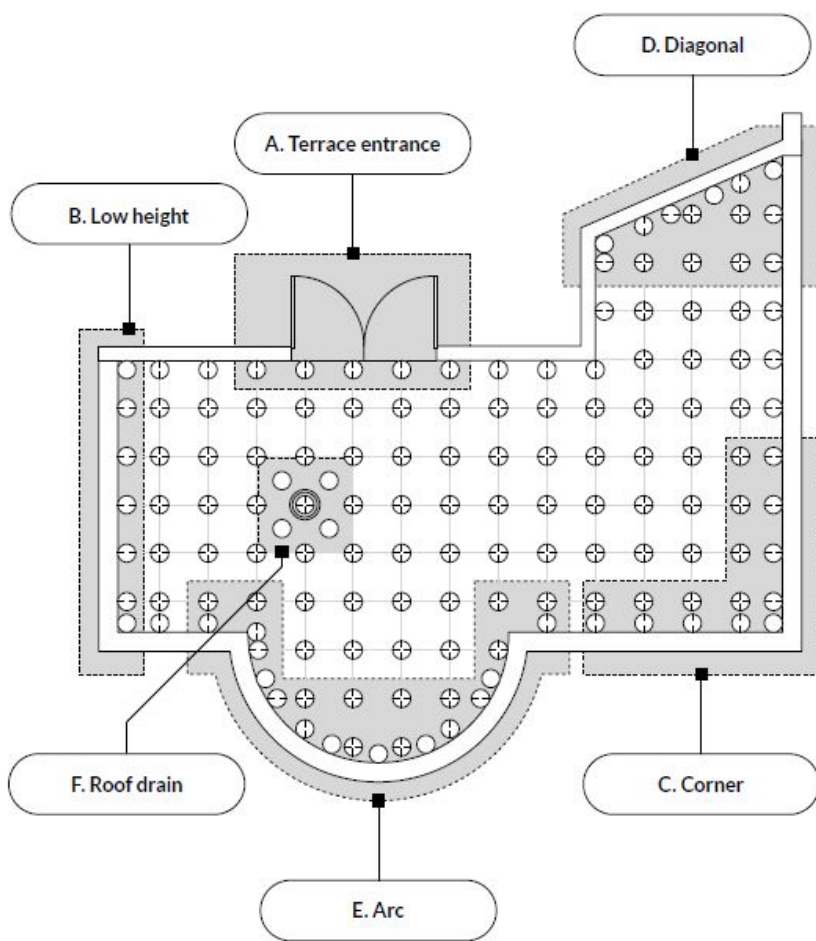
Implementation of the terrace design will allow you to accurately count the materials needed to build the terrace and facilitate assembly work.





## Raised outdoor pedestal flooring heights and slopes

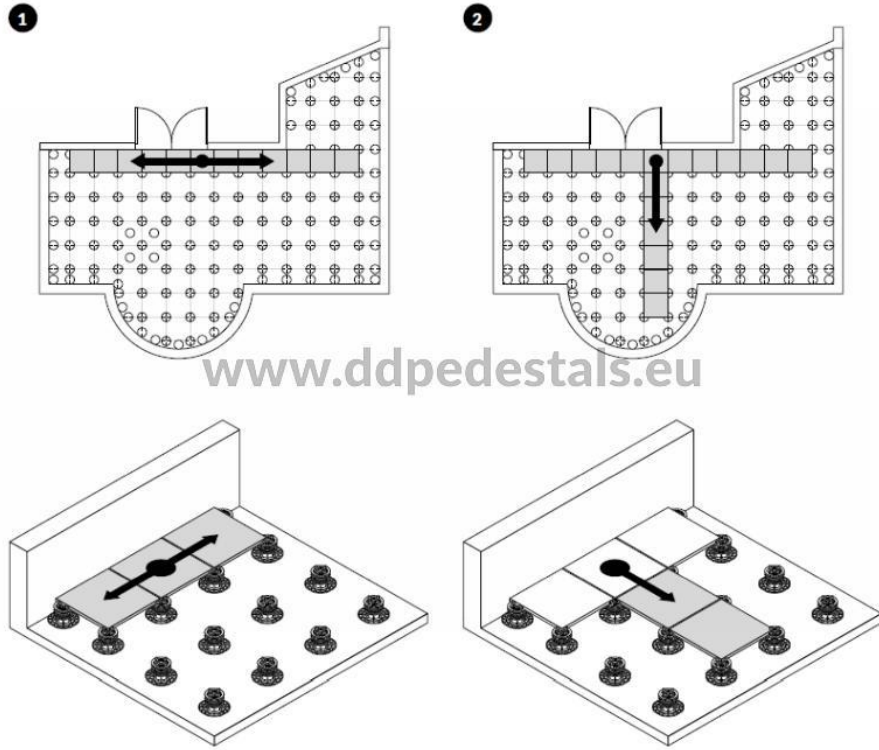
Wykonanie projektu tarasu pozwoli na dokładne policzenie materiałów potrzebnych do budowy tarasu oraz ułatwi prace montażowe.



## Raised outdoor pedestal flooring pedestals placement

Characteristic points will appear on the laid terrace, e.g. terrace entrance, terrace corner, arch, diagonal, obstacles, e.g. roof drain.



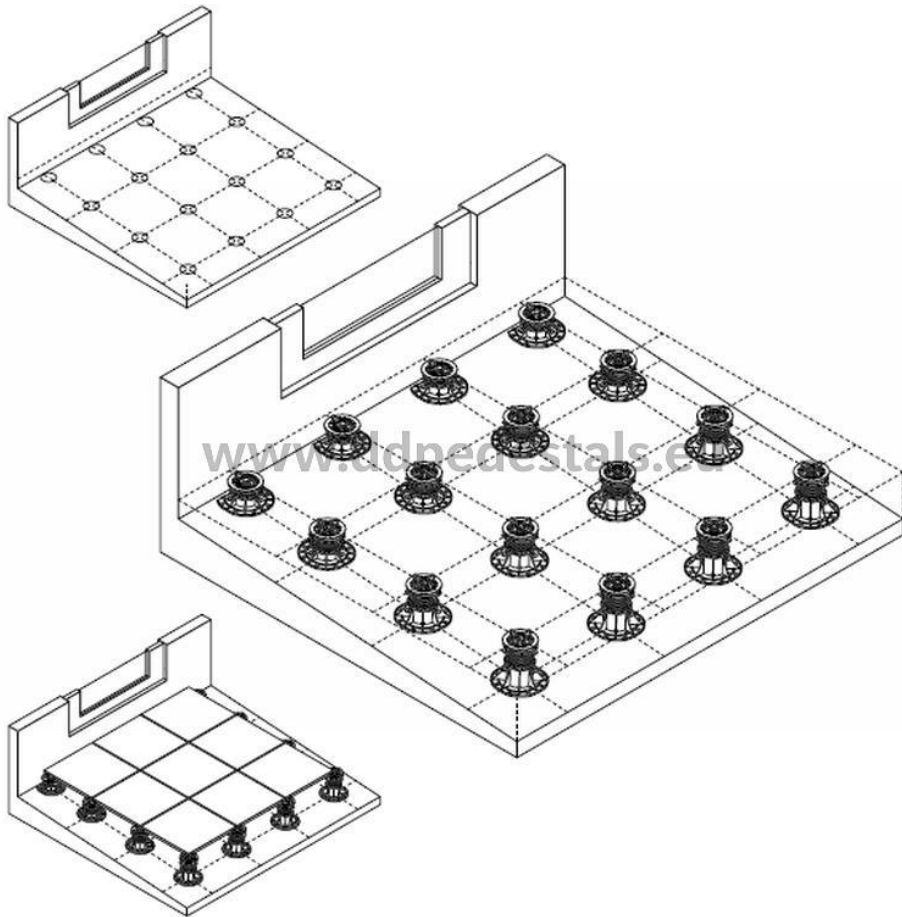


[www.ddpedestals.eu](http://www.ddpedestals.eu)



## Raised outdoor pedestal flooring start point

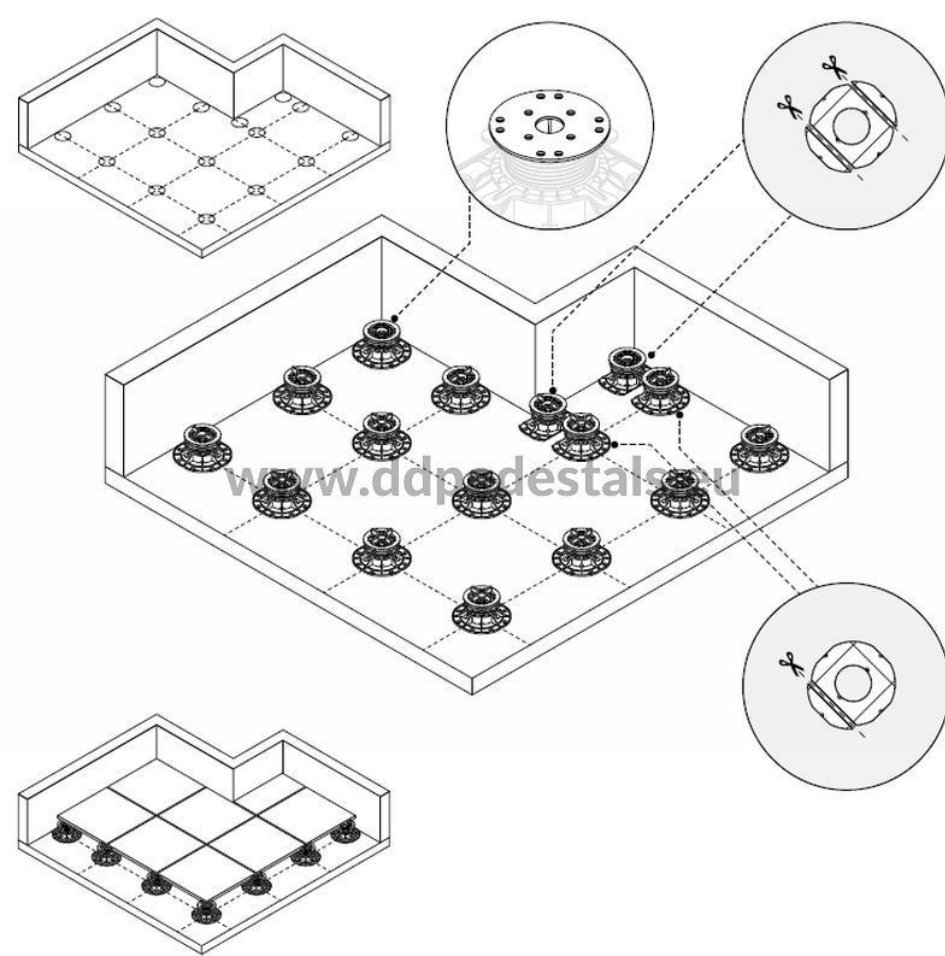
Set a starting point for laying the panels on the terrace. Usually, a row of panels is chosen along the main line, e.g. a wall, and at the entrance from a balcony window.



## Raised outdoor pedestal flooring terrace entrance, balcony window



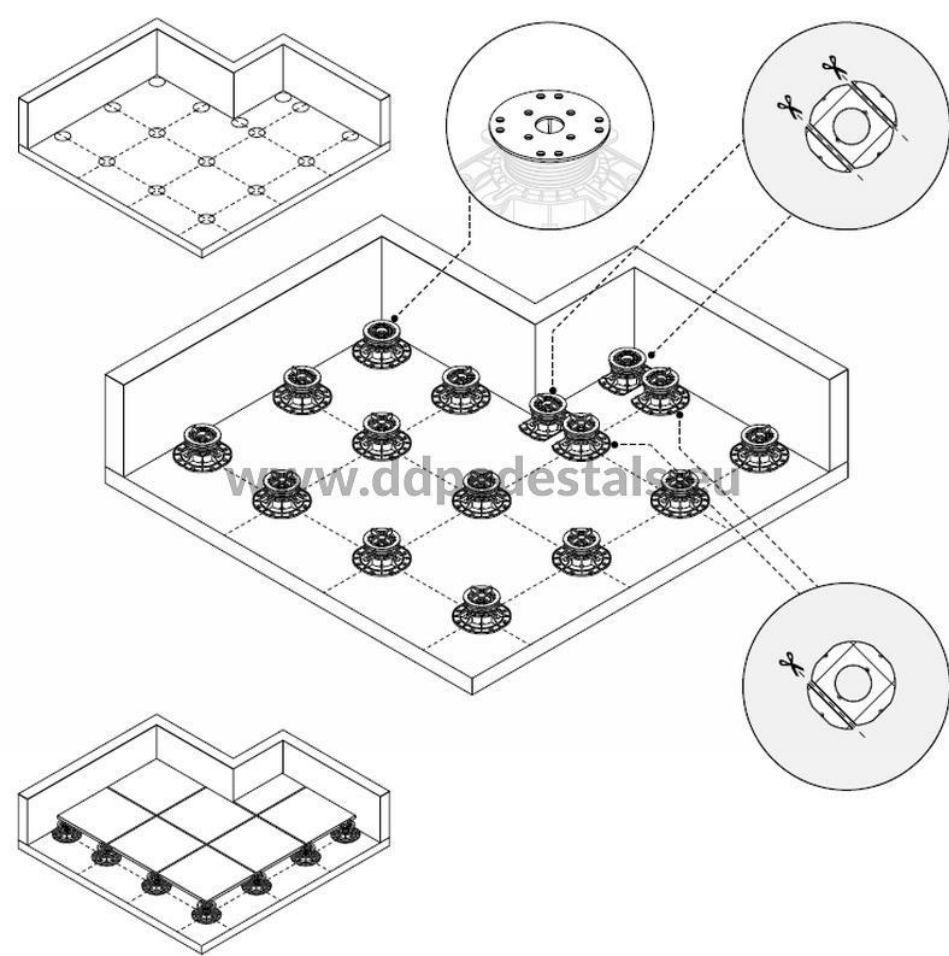
Setting the terrace height - Entering the terrace is usually the place where we plan the height of the ventilated terrace. Properly adjusted height relative to the threshold will allow comfortable transition from room to outside. It is recommended that the height between the terrace surface and the threshold of the balcony door is not higher than (comfortable) stairs.



## Raised outdoor pedestal flooring terrace corner

In the corner, place a pedestal without gap spacers. The pedestal must be positioned maximally in the corner. If necessary, you can gently cut the support base.

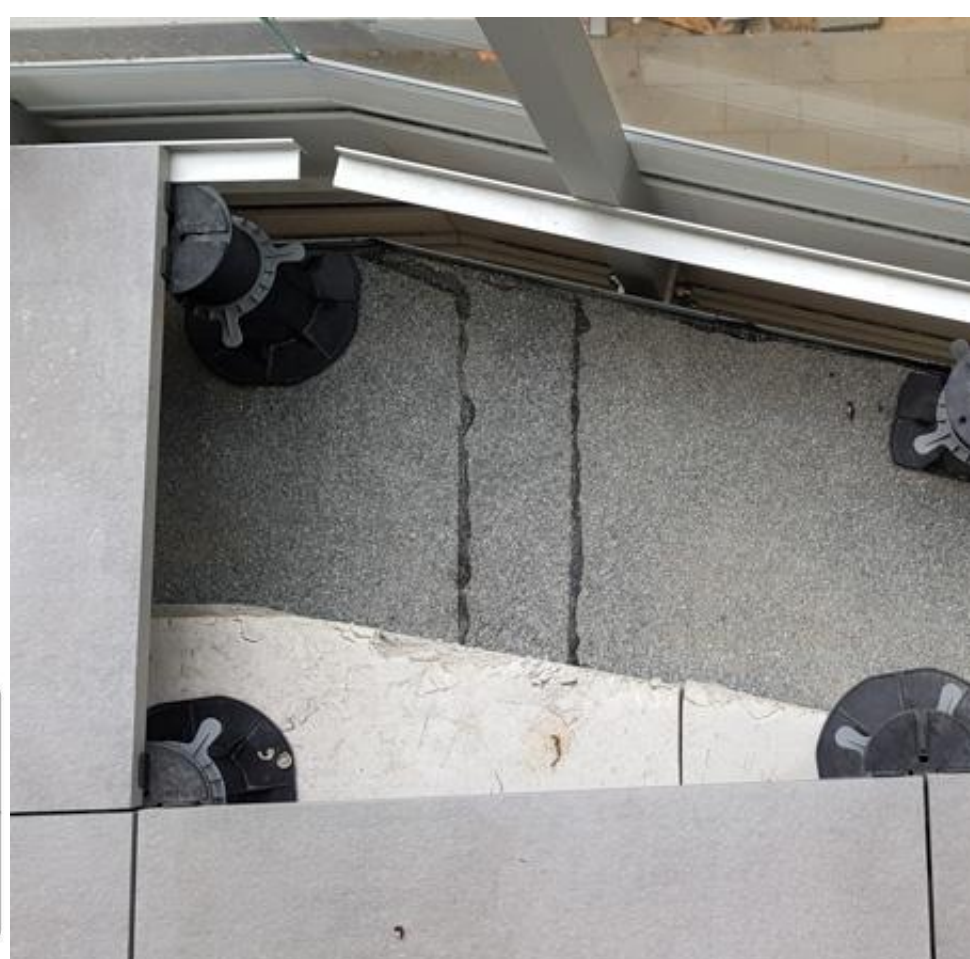
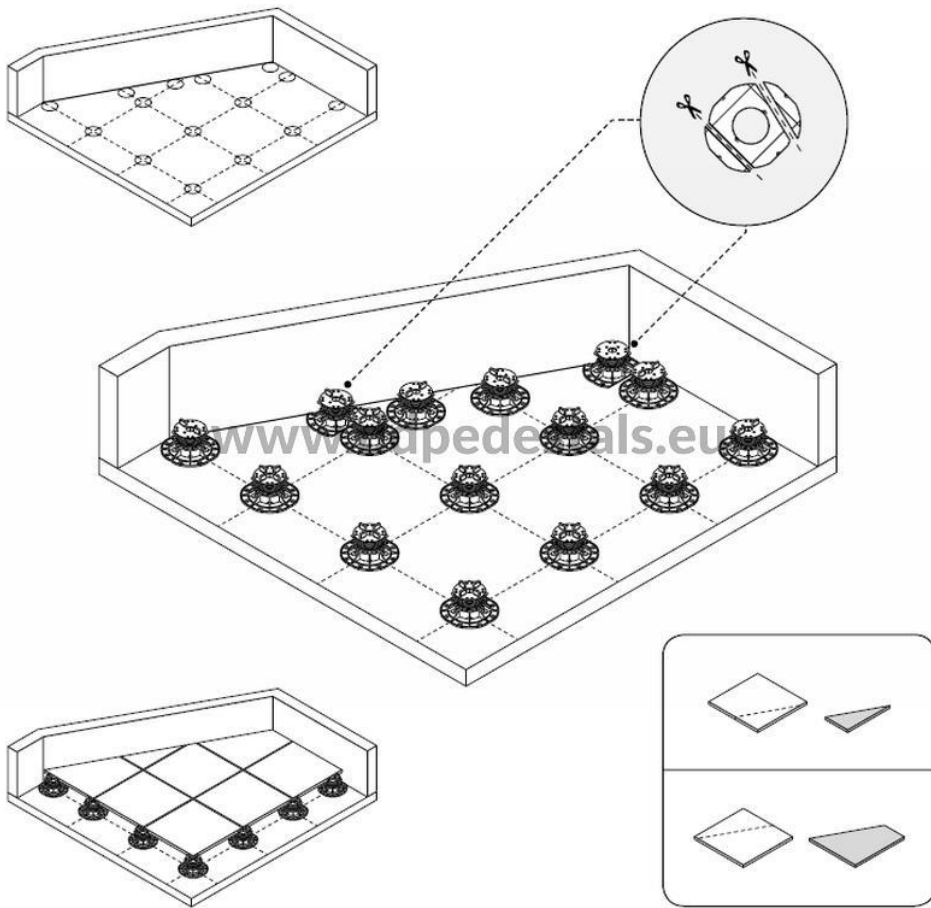




## Raised outdoor pedestal flooring reverse corner

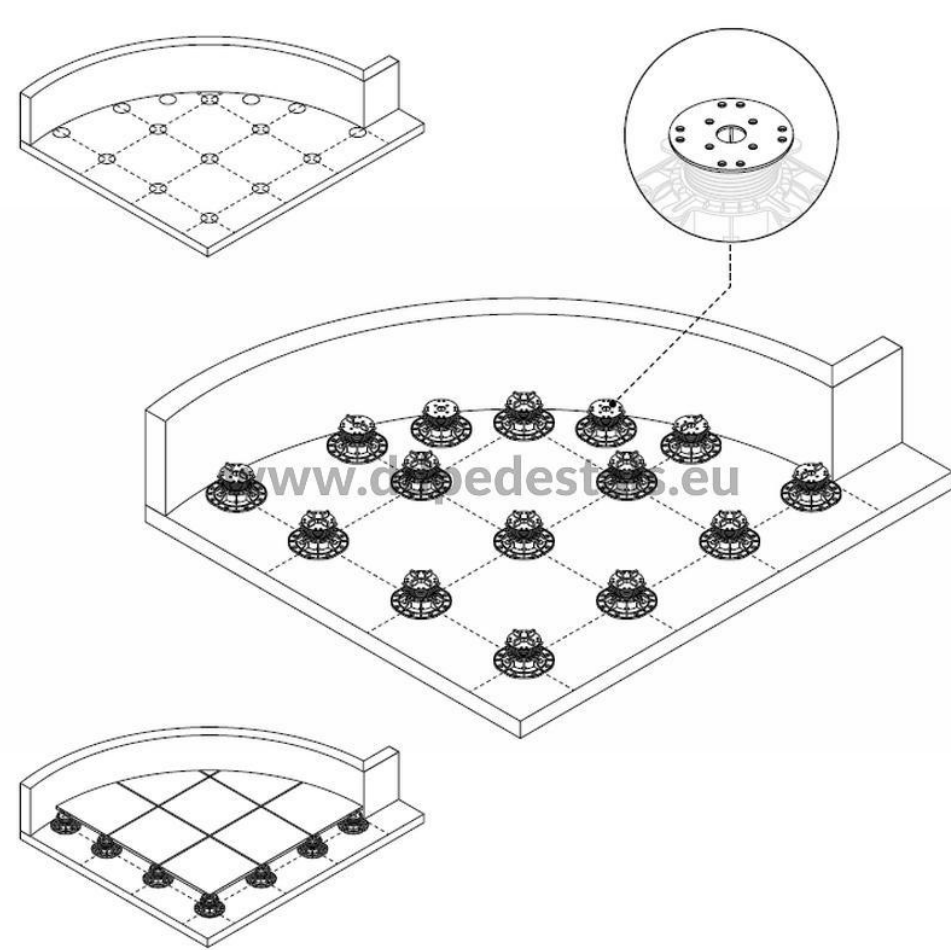
In the outer corner, place a pedestals without gap spacers. The pedestal must be positioned maximally in the corner. If necessary, you can gently cut the support base.





## Raised outdoor pedestal flooring diagonal

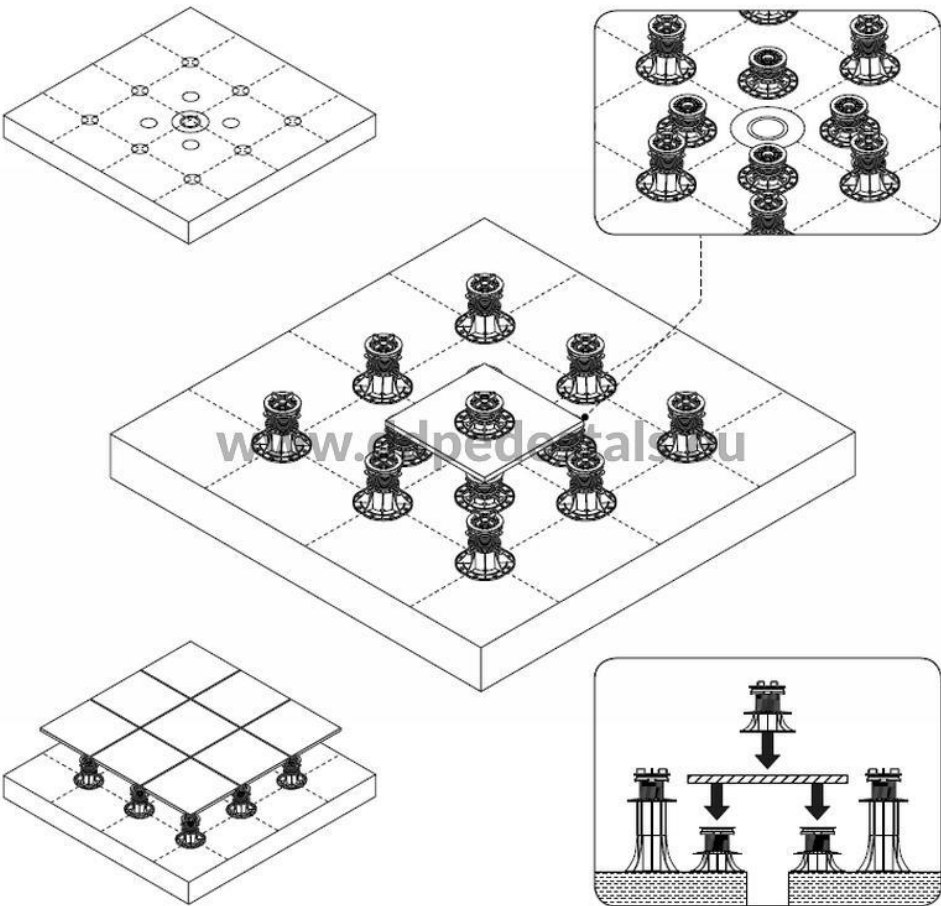
Compaction and cutting of pedestals. Diagonal lines require cutting terrace tiles into trapeziums or triangles. This requires a non-standard placement of DDP pedestals and proper tile matching. Sizes after cutting should be anticipated at the stage of starting the terrace construction.



## Raised outdoor pedestal flooring arcs

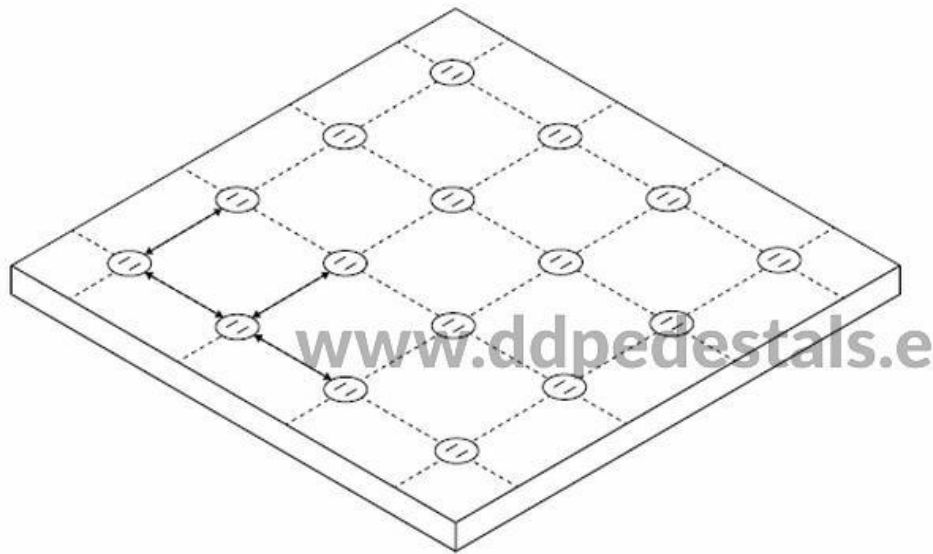
Cutting pedestals and tiles. Each terrace has its own unique geometry. Terraces often have arched attic walls. In this case, placing the DDP pedestals and cutting the tiles will require greater precision and density of the DDP pedestals. Curved panels should be planned already at the stage of starting the terrace construction.





## Raised outdoor pedestal flooring roof drain

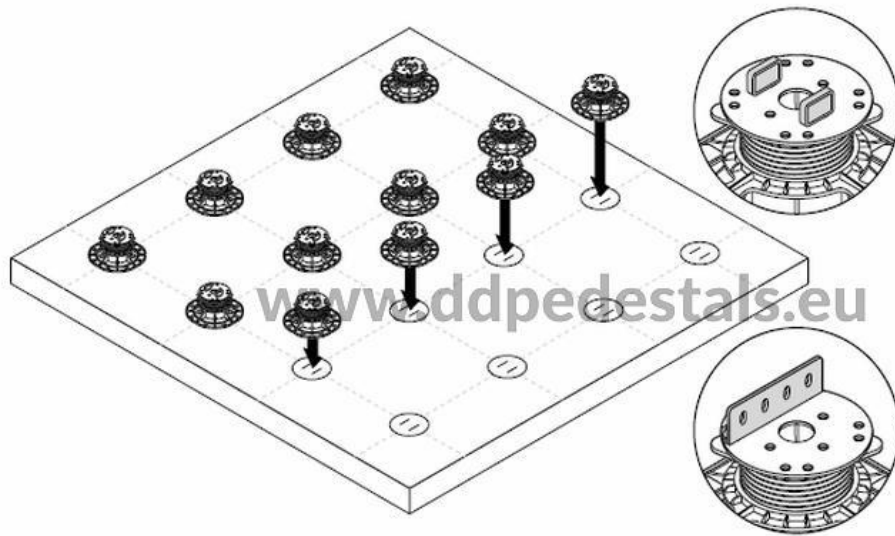
The roof drain is usually located at the lowest point of the terrace. Due to the basket, DDP pedestals cannot be placed directly on the inlet. It is necessary to make the replacement by placing the DDP pedestals next to the roof drain on which the panel is placed, on which the target DDP pedestal supporting the terrace tiles is located.



## Raised outdoor pedestal flooring decking joists mounting

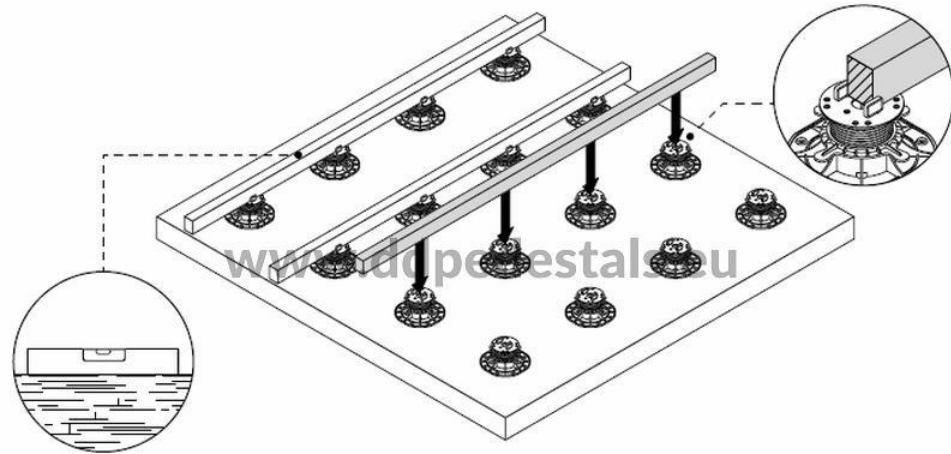
Develop a plan for the placement of pedestals paying special attention to places such as corners, thresholds, doors. The spacing of the pedestals depends on the size of the joist cross-section and the weight of the terrace. A string is helpful when running straight lines.





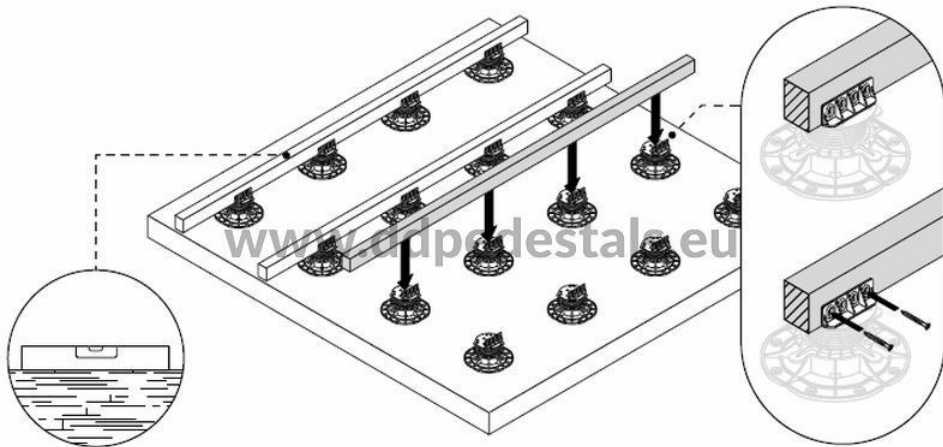
## Raised outdoor pedestal flooring decking joists mounting

Develop a plan for the placement of pedestals paying special attention to places such as corners, thresholds, doors. The spacing of the pedestals depends on the size of the joist cross-section and the weight of the terrace. A string is helpful when running straight lines.



## Raised outdoor pedestal flooring decking joists mounting

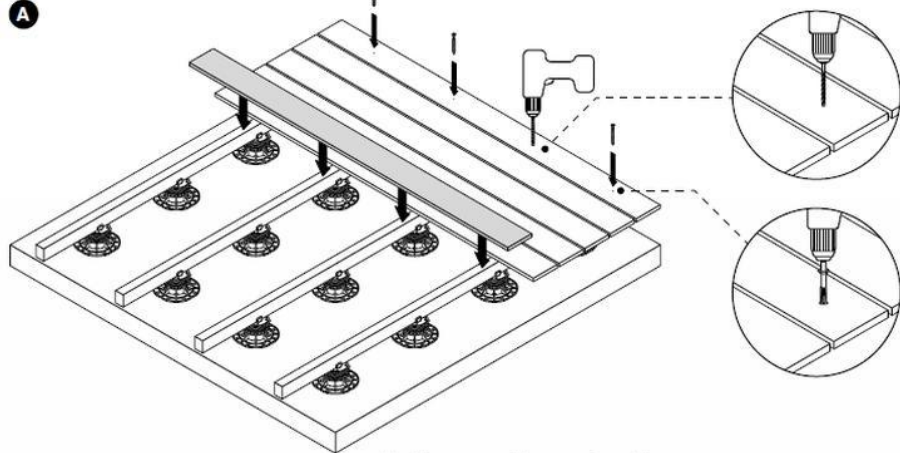
Level all joists by placing them on a pedestals and checking the level using a bubble level. Make sure that joist joints are on the pedestals ( as on the photo above).



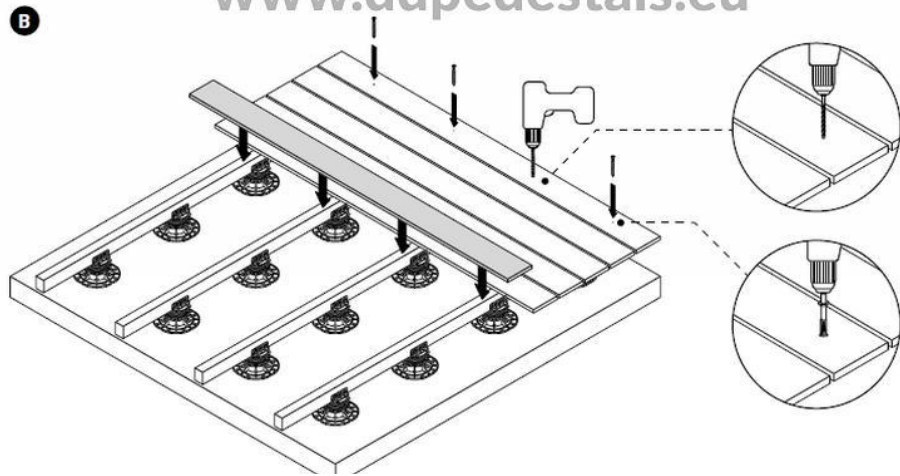
## Raised outdoor pedestal flooring decking joists mounting

Fix the joists to the pedestals with screws and L joist adapter.





[www.ddpedestals.eu](http://www.ddpedestals.eu)



# Raised outdoor pedestal flooring decking joists mounting

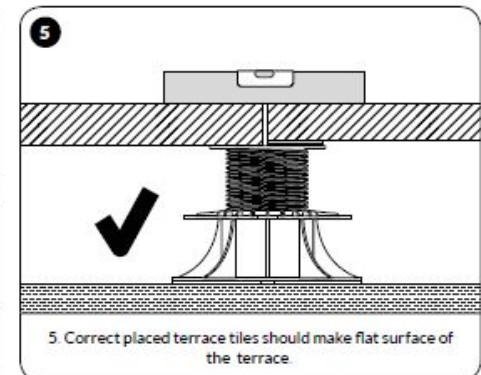
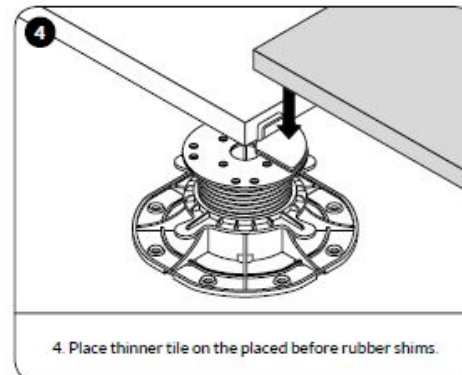
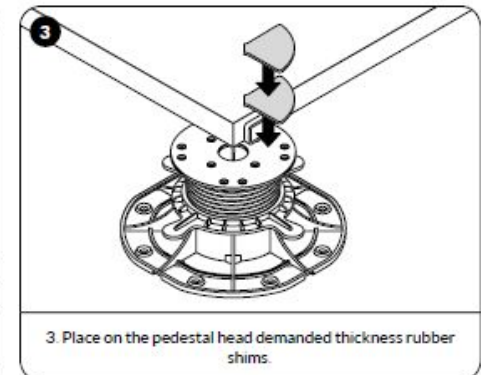
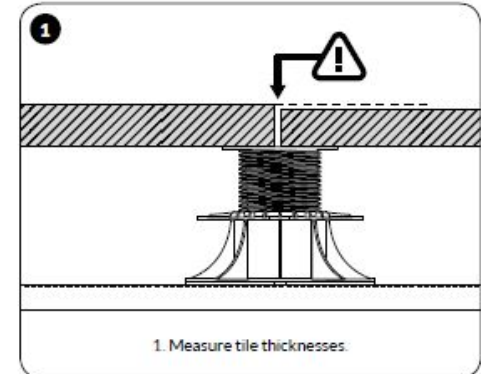
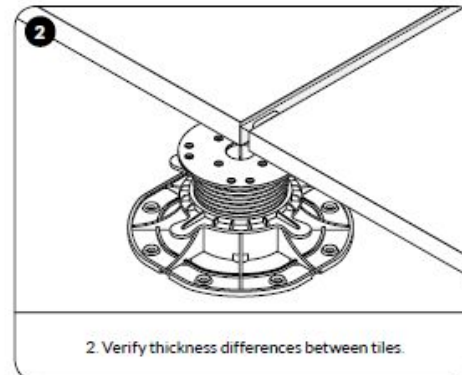
Mount decking planks on leveled joists laid on pedestals.

# Raised outdoor pedestal flooring tiles thickness differences

Parts of rubber pads are used to level differences in the thickness of terrace tiles. In the case of an uneven terrace surface resulting from the difference in thickness of the terrace slabs, the thickness of the thickest slab should be determined and the appropriate amount of rubber pads should be placed under the other slabs.

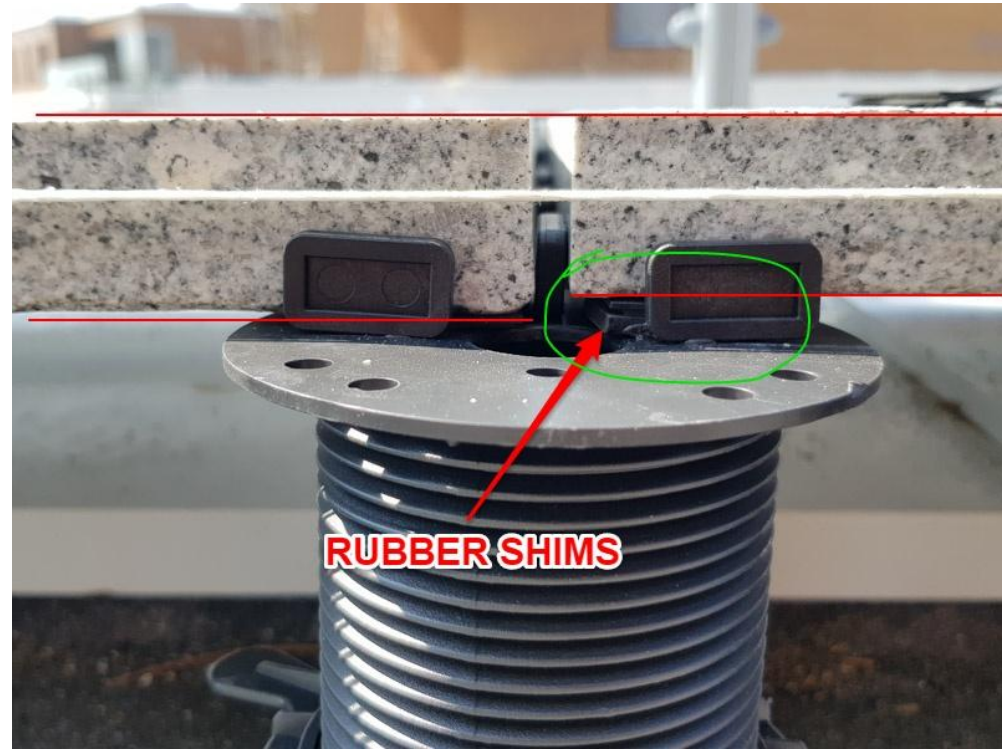
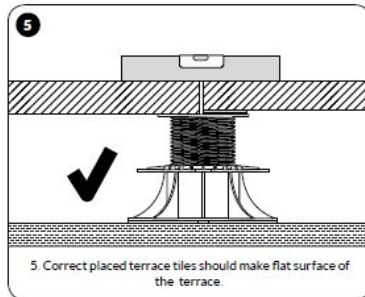
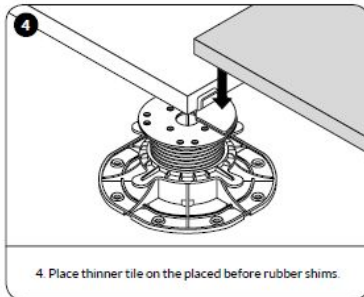
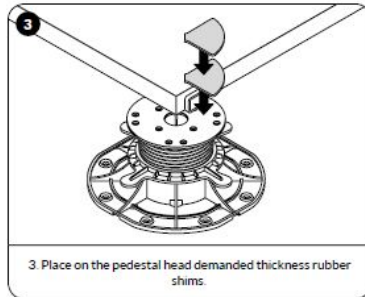
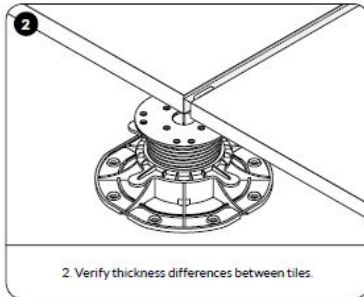
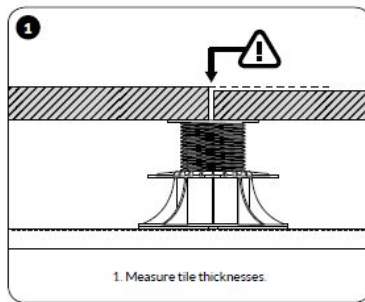
## ▼ Rubber shims

Rubber shims are used to reduce thickness differences. In case of tiles thickness differences You need to verify the thicker tile and place rubber shims under the thinner tiles to get the same thickness.



## ▼ Rubber shims

Rubber shims are used to reduce thickness differences. In case of tiles thickness differences You need to verify the thicker tile and place rubber shims under the thinner tiles to get the same thickness.

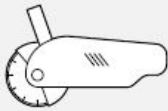


## Raised outdoor pedestal flooring tiles thickness difference

Parts of rubber pads are used to level differences in the thickness of terrace tiles. In the case of an uneven terrace surface resulting from the difference in thickness of the terrace slabs, the thickness of the thickest slab should be determined and the appropriate amount of rubber pads should be placed under the other slabs.



Tools:



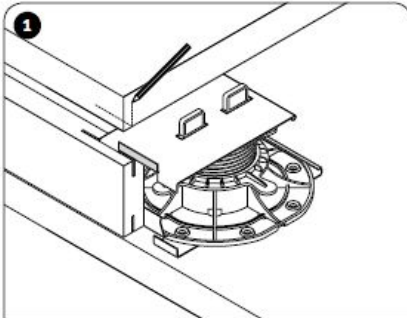
Grinder



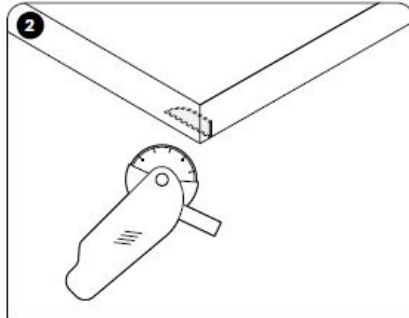
Pencil



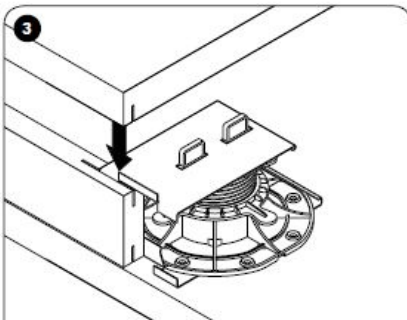
Glue



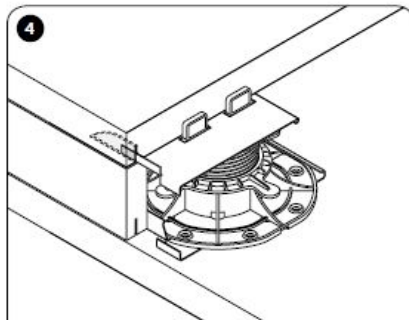
1. Measure and mark with pencil lines where clips upper and lower will be inserted.



2. Cut chink with grinder. The depth of cut must be identical as clips.



3. Place top tile on the clip in the hole.



4. Top tile should not outstand or draw back vertical tile.

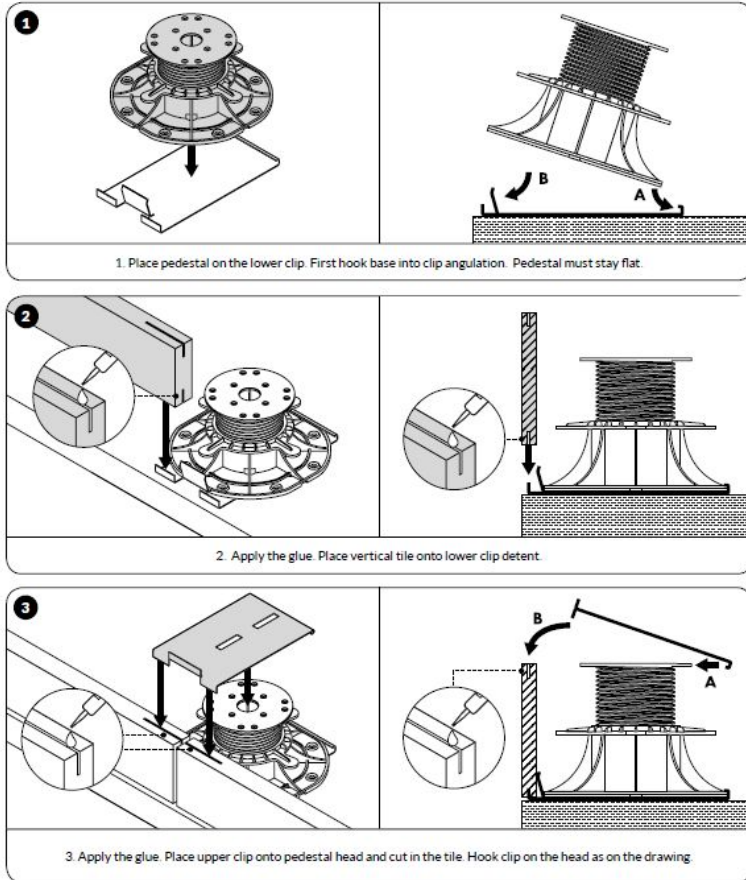


## Raised outdoor pedestal flooring vertical edges

The outer vertical edges of the terrace can be finished with the help of terrace covers mounted on system clips for mounting covers.

# FACIA BOARD COVERING

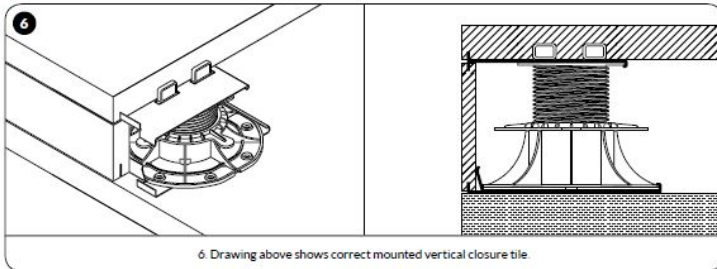
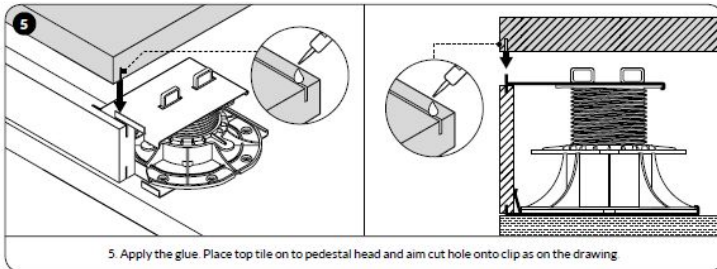
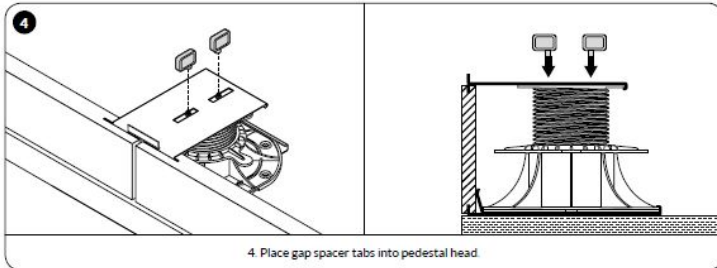
## FACIA BOARD CLIPS ASSEMBLANCE



Raised outdoor  
pedestal flooring  
vertical edges

The outer vertical edges of the terrace can be finished with the help of terrace covers mounted on system clips for mounting covers.

## ■ FACIA BOARD COVERING FACIA BOARD CLIPS ASSEMBLANCE



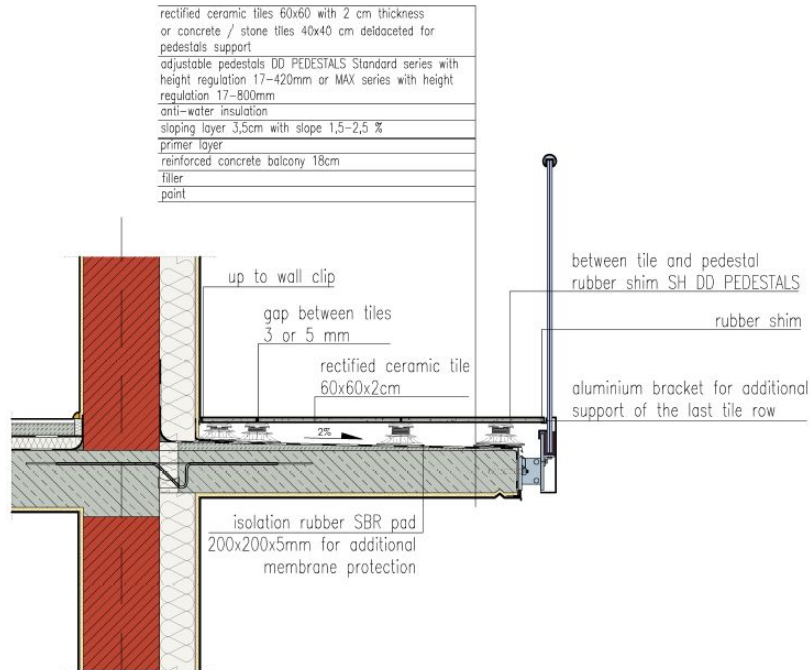
Raised outdoor  
pedestal flooring  
vertical edges

The outer vertical edges of the terrace can be finished with the help of terrace covers mounted on system clips for mounting covers.



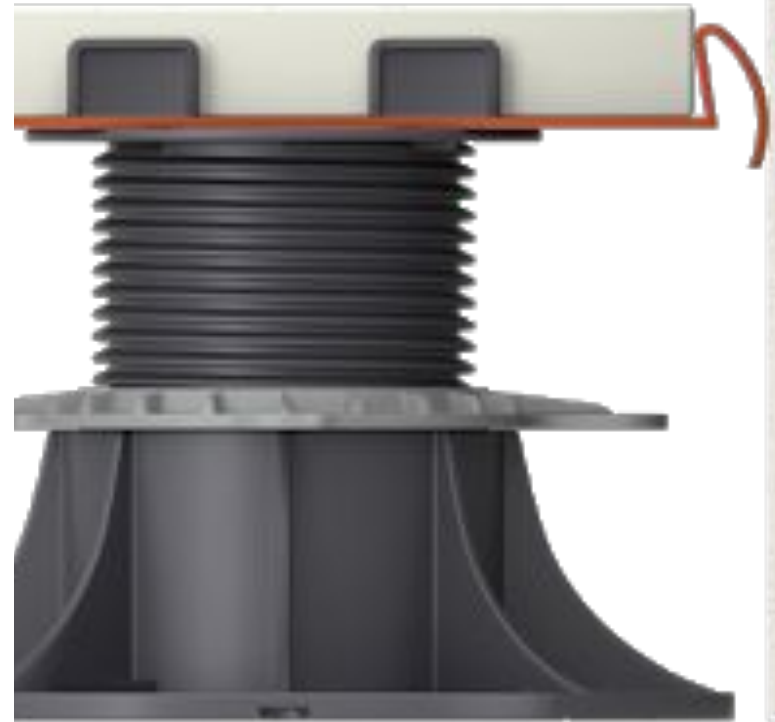
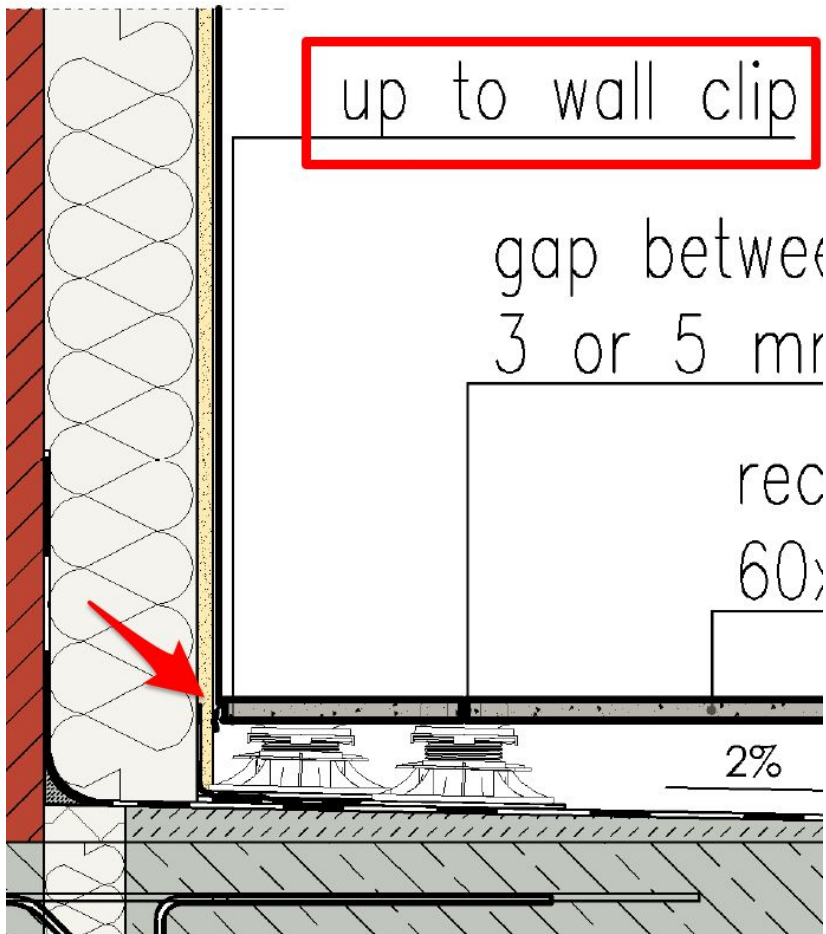
# VENTILATED TERRACE ON THERMAL BREAK BALCONY

TERRACE IN LEVEL



Raised outdoor  
pedestal flooring  
2 CM porcelain tiles

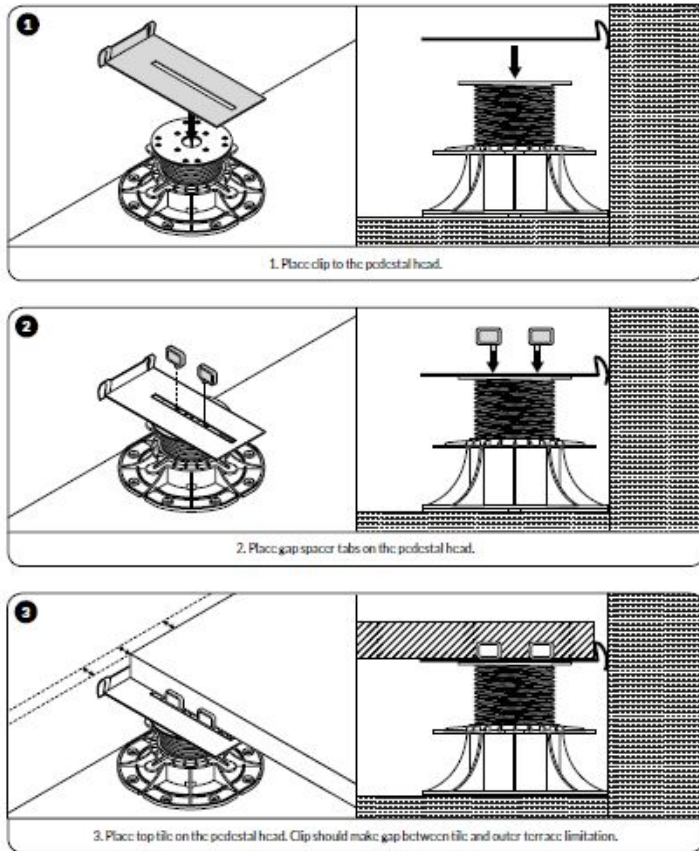
Raised outdoor pedestal flooring terrace on an Isokorb balcony slab. More information about porcelain 2 CM thickness tiles you can read on our blog <https://ddgro.eu/en/articles/terrace-tiles-on-adjustable-pedestals/>



## Raised outdoor pedestal flooring up to wall distance

Terrace floor elements should be moved away from the edge limit, e.g. a wall, to prevent damage. A dilatation clip should be used between the first / last tile and the wall.

## SPACER EDGE CLIP



Raised outdoor  
pedestal flooring  
up to wall distance

Terrace floor elements should be moved away from the edge limit, e.g. a wall, to prevent damage. A dilatation clip should be used between the first / last tile and the wall.





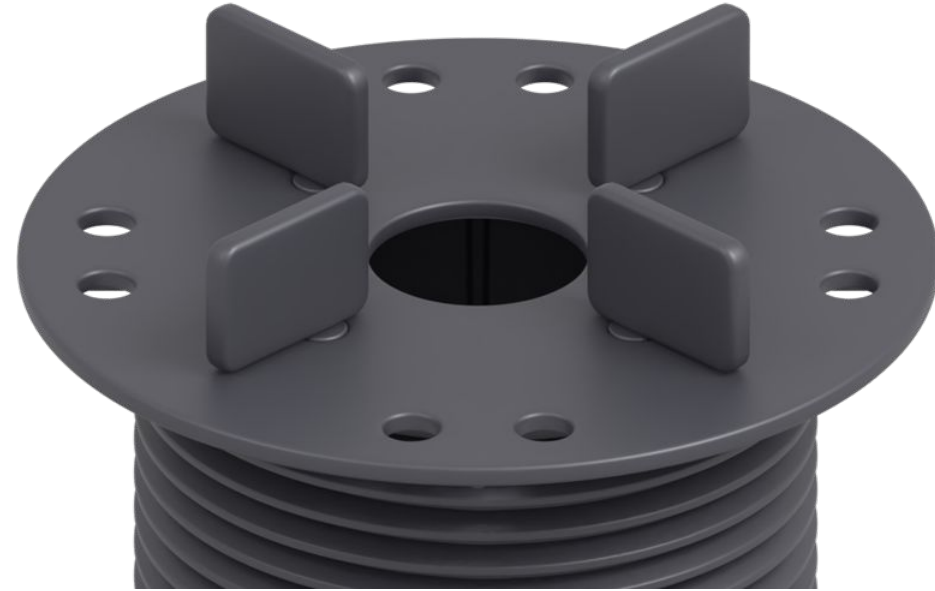
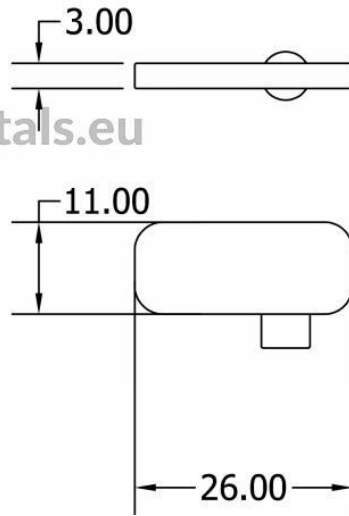
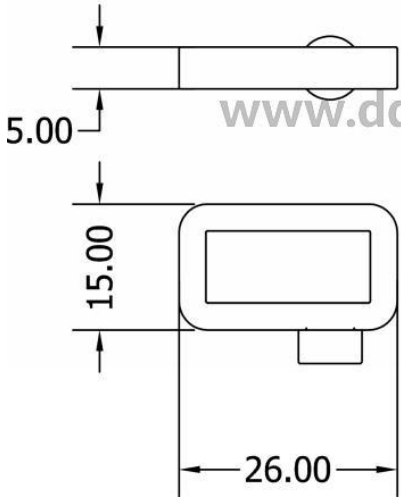
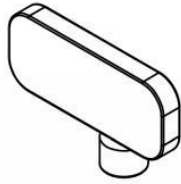
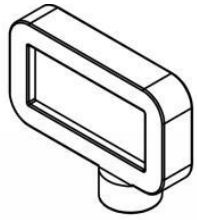
## Raised outdoor pedestal flooring up to wall distance

Terrace floor elements should be moved away from the edge limit, e.g. a wall, to prevent damage. A dilatation clip should be used between the first / last tile and the wall.



## Raised outdoor pedestal flooring up to wall distance

Terrace floor elements should be moved away from the edge limit, e.g. a wall, to prevent damage. A dilatation clip should be used between the first / last tile and the wall.



5 mm (13/64")

3 mm (1/8")

Raised outdoor  
pedestal flooring  
gap space between tiles

Gap spacers are protruding elements from the pedestals head of a certain width ( 3 / 5 mm ) that set the gap between the tiles and prevent the terrace tiles from moving.





## Raised outdoor pedestal flooring gap space between tiles

The gap between the tiles (3 mm (1/8") gap in the pictures) allows free drainage of water from the terrace surface.



## Raised outdoor pedestal flooring rubber shim



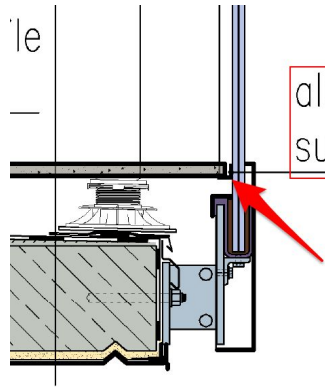
A 1.5 mm thick rubber shim is placed between the tiles and the pedestal head to block out any walking noises such as sand particles etc.



## Raised outdoor pedestal flooring rubber shim

A 1.5 mm thick rubber shim is placed between the tiles and the pedestal head to block out any walking noises such as sand particles etc.





aluminium bracket for additional support of the last tile row



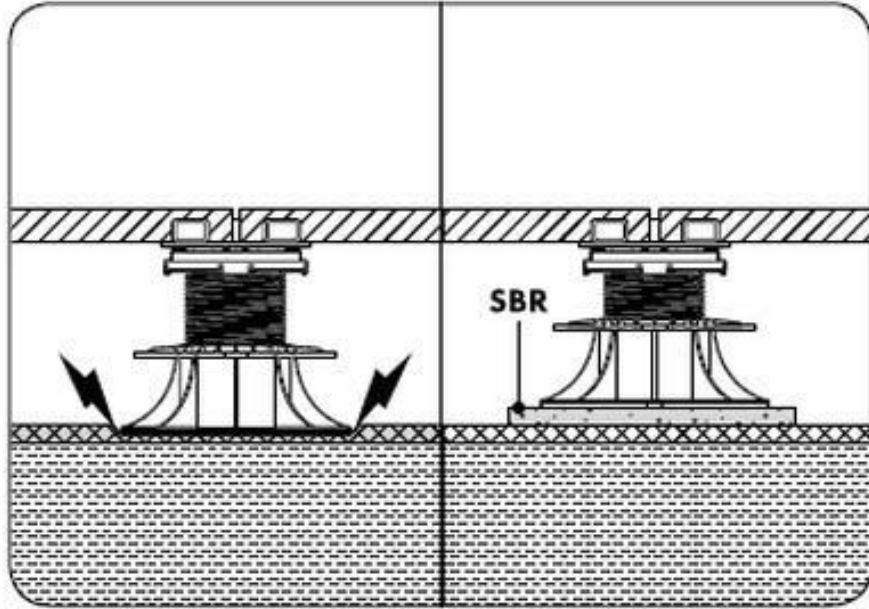
## Raised outdoor pedestal flooring terrace edge balustrade

In the case of balconies with a balustrade, it is recommended to support the last tiles additionally on a riveted aluminium angle to the railing in order to additionally support the panel and protect it against sliding.



## Raised outdoor pedestal flooring terrace edge balustrade

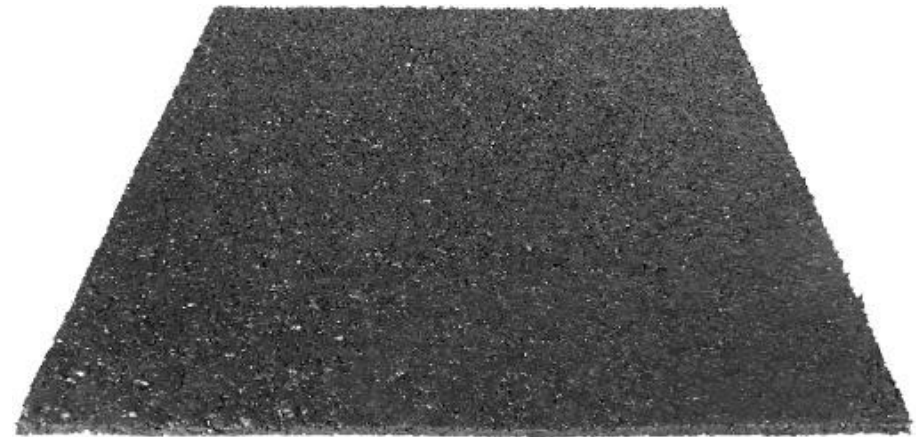
In the case of balconies with a balustrade, it is recommended to support the last tiles additionally on a riveted aluminium angle to the railing in order to additionally support the panel and protect it against sliding.



## Raised outdoor pedestal flooring water membrane protection

If it is possible to damage the water membrane insulation, it is recommended to use SBR granulate pads underlays.





## Raised outdoor pedestal flooring water membrane protection

If it is possible to damage the water membrane insulation, it is recommended to use SBR granulate pads underlays.



## Raised outdoor pedestal flooring water membrane protection

If it is possible to damage the water membrane insulation, it is recommended to use SBR granulate pads underlays.



## Raised outdoor pedestal flooring window frame

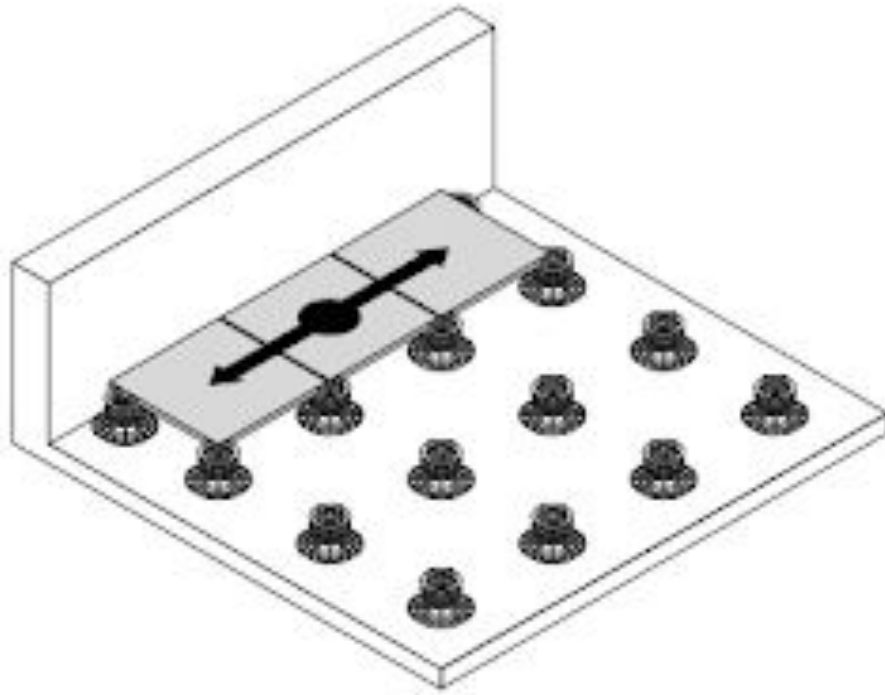
One of the many advantages of raised outdoor pedestal terrace flooring is the possibility of entering the terrace surface perfectly under the window frame. Thanks to this, the terrace has the effect of extending the floor inside the room without adverse faults.





## Raised outdoor pedestal flooring window frame

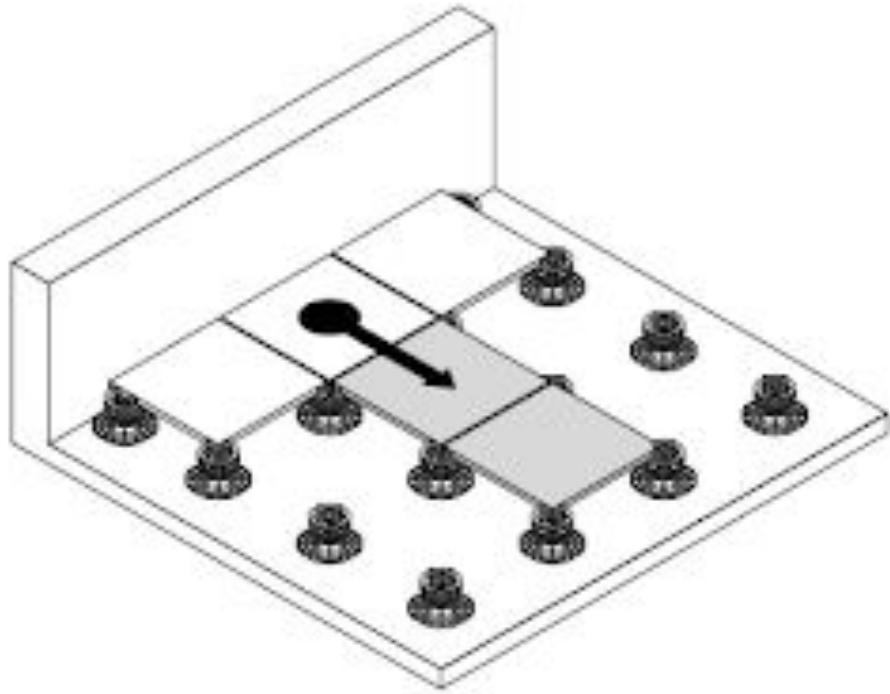
One of the many advantages of raised outdoor pedestal terrace flooring is the possibility of entering the terrace surface perfectly under the window frame. Thanks to this, the terrace has the effect of extending the floor inside the room without adverse faults.



## Raised outdoor pedestal flooring tiles measuring

At the very beginning of the installation of the raised outdoor pedestal terrace flooring, the planned arrangement of the tiles should be carefully planned so that the tiles cuts allow for good support of the panels by the supports. In addition, the final visual effect is important, which must also be planned so that the panels are laid out nicely on the terrace.



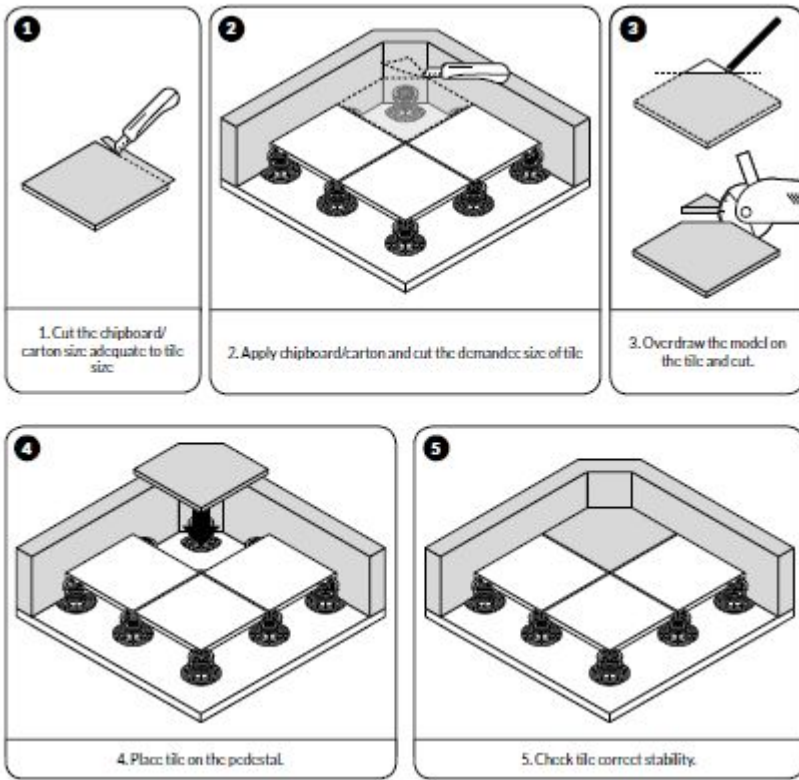


## Raised outdoor pedestal flooring tiles measuring



At the very beginning of the installation of the raised outdoor pedestal terrace flooring, the planned arrangement of the tiles should be carefully planned so that the tiles cuts allow for good support of the panels by the supports. In addition, the final visual effect is important, which must also be planned so that the panels are laid out nicely on the terrace.





**cutting porcelain tiles**

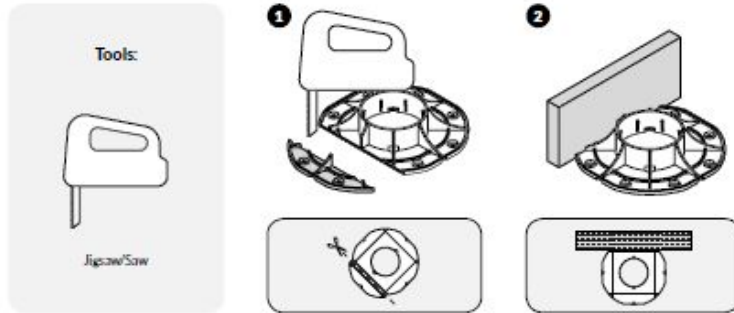
## Raised outdoor pedestal flooring tiles cutting

We recommend using a water-cooled circular saw for cutting boards.

## CUTTING PEDESTALS BASE

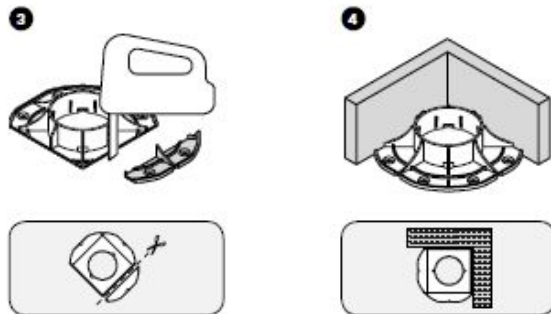
### Adjusting pedestal base geometry - along the wall

In case of pedestal must be placed next to wall its base must be cut. Cut demanded geometry with jig/saw or saw. Please note that sharp edge after cutting must be protected with SBR granulate rubber pad.



### Adjusting pedestal base geometry - corner

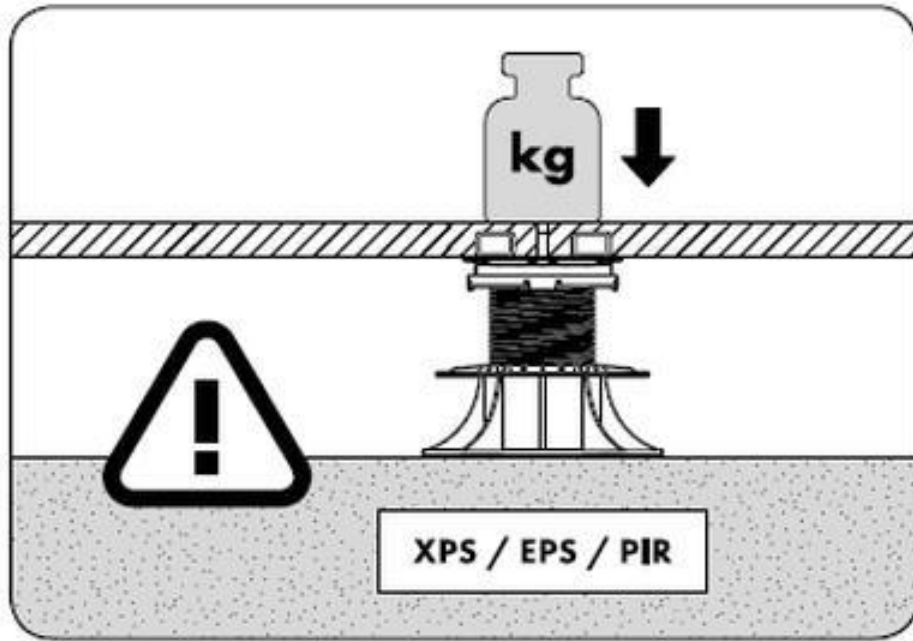
Pedestal base geometry must be cut if pedestal must be placed in terrace corner. Please note that sharp edge after cutting must be protected with SBR granulate rubber pad.



Raised outdoor  
pedestal flooring  
pedestal base trimming



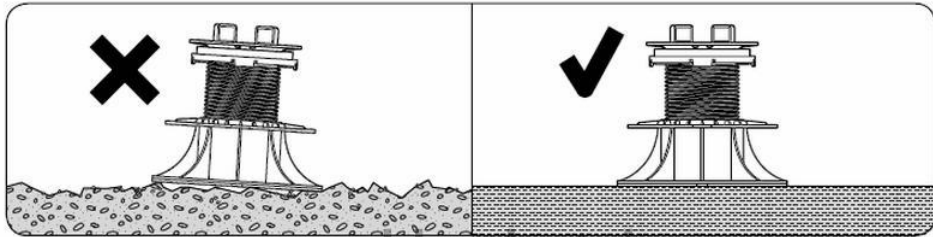
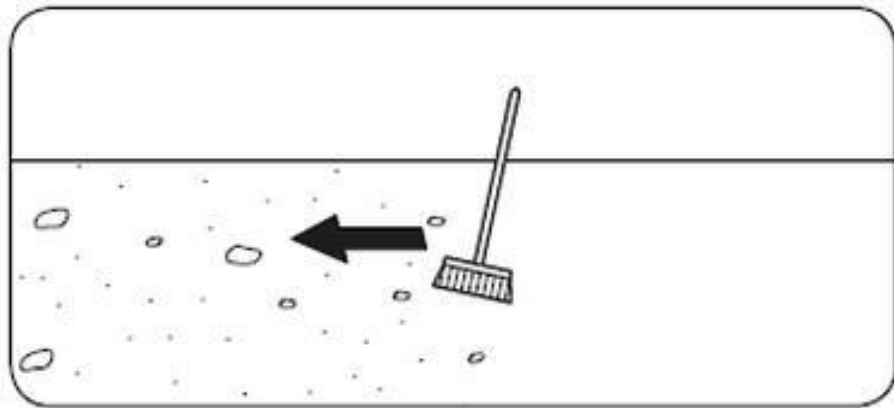
Along the walls and corners you can cut the base of the pedestals if you need it.



## Taras wentylowany ground hardness

Pedestals are often used on the roof on hard XPS styrodur insulation boards. Remember to check the strength of the ground and the permissible surface loads on which the brackets are placed. Recommended minimum hardness of XPS 300 boards.





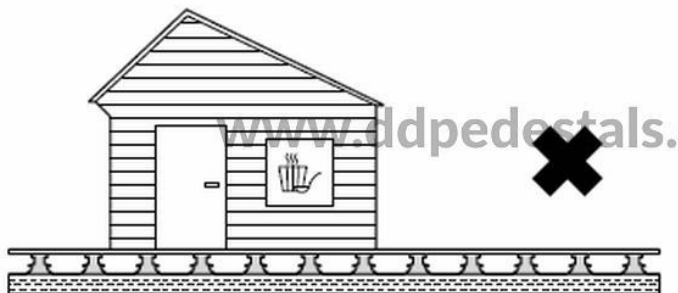
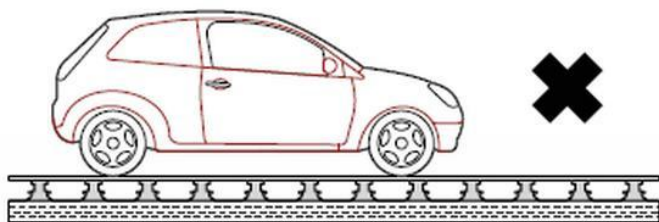
## Taras wentylowany pedestal undelay basis

Level ground. The ground on which the pedestals are placed should be stable and level. Clean surface, before placing pedestals clean the surface of stones, sand and other dirt that may affect the instability of the terrace pedestals.



## Dopuszczalne obciążenie

Informacje dot. dopuszczalnych obciążeń wsporników znajdują się z szczegółowej specyfikacji technicznej - zapytaj swojego dostawcy!



## Taras wentylowany pedestals durability



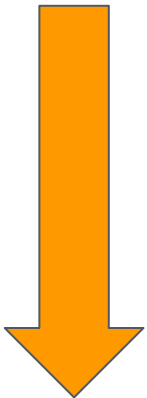
Although DD PEDESTALS pedestals are characterized by great resistance to loads, it should be remembered that if their maximum strength is exceeded, they may be damaged. On ventilated terraces raised on supports, it is forbidden to drive motor vehicles and to place heavy objects, e.g. a jacuzzi bath. Watch a Youtube video showing how durable are DD PEDESTALS - <https://youtu.be/y4nBx-qd3Kg>

# Thanks for reading!

We invite You to stay in touch with us.



Bonus ...



[www.ddgro.eu](http://www.ddgro.eu) [sales@ddpedestals.eu](mailto:sales@ddpedestals.eu)

100%  
MADE IN POLAND  
MANUFACTURER

